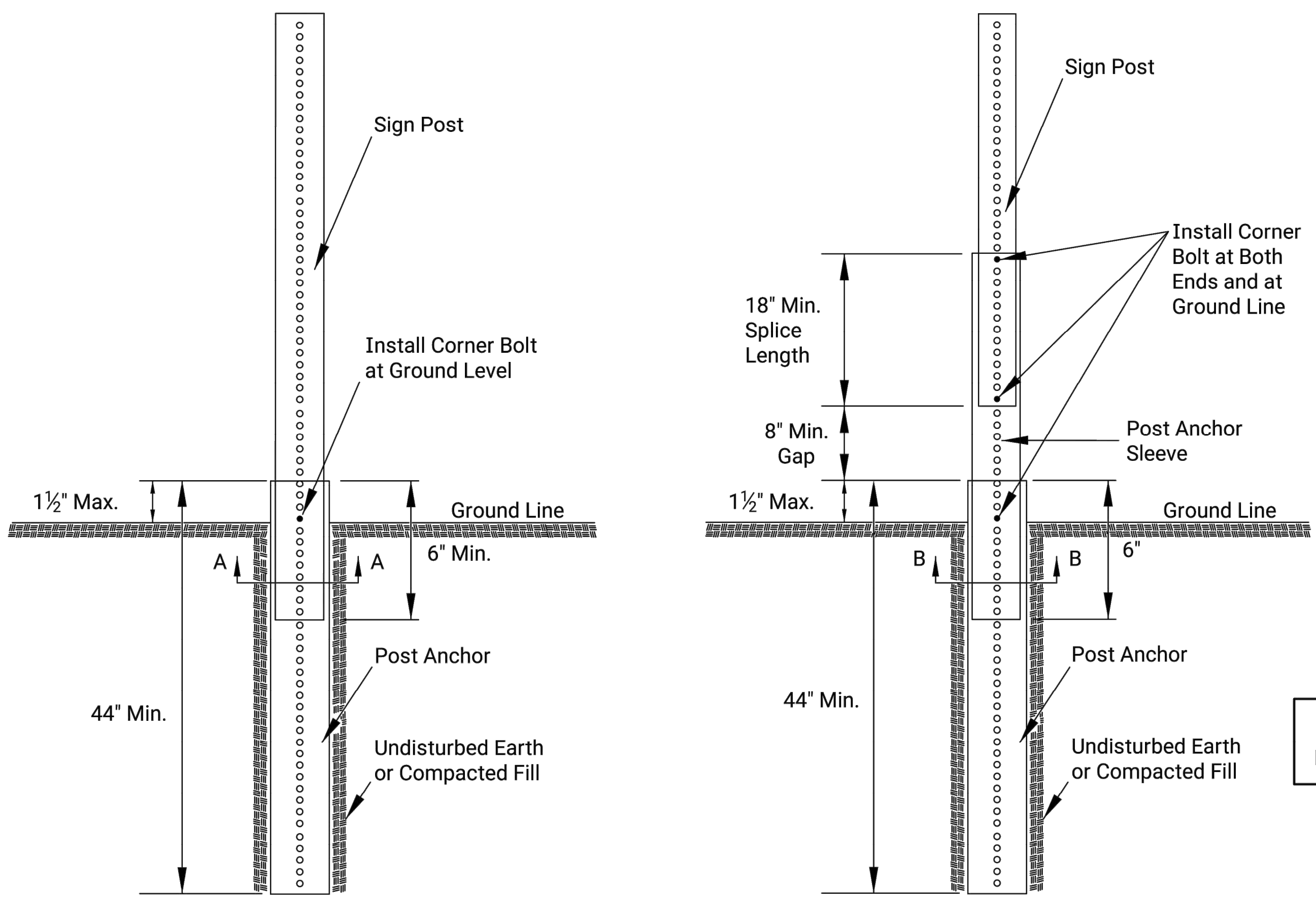


PLOTTED: Wednesday, February 10, 2021 @ 03:11PM

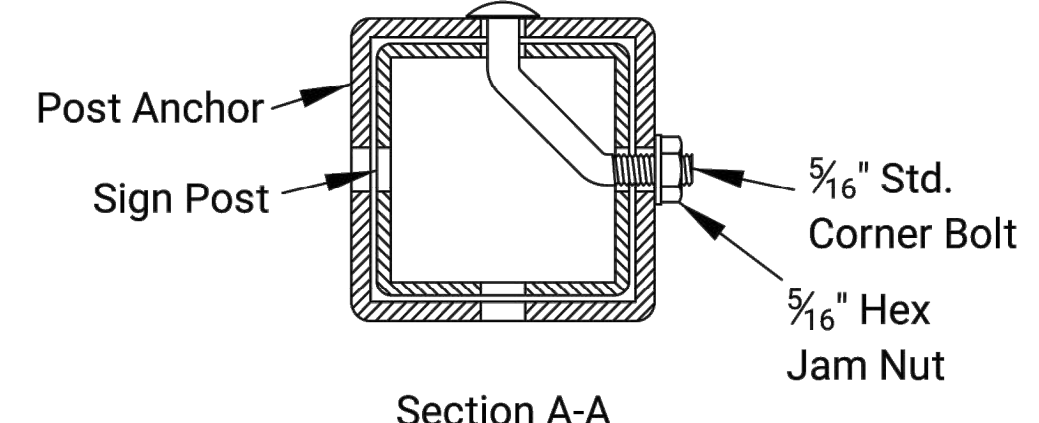
J:\PROJECTS\2019\101010483_COW_ANNA_PAVING\00_190483_CAD\SHOTS\05_CIVIL\TRAFFIC\190483-05-5655.DWG

PERFORATED SQUARE STEEL TUBE (P.S.S.T.) POST SETUP

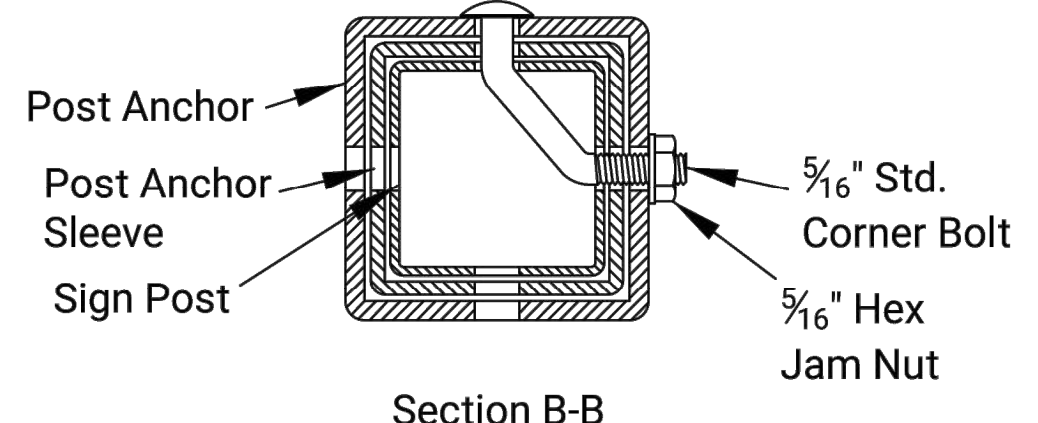


P.S.S.T. Detail

Telescoping P.S.S.T. Detail



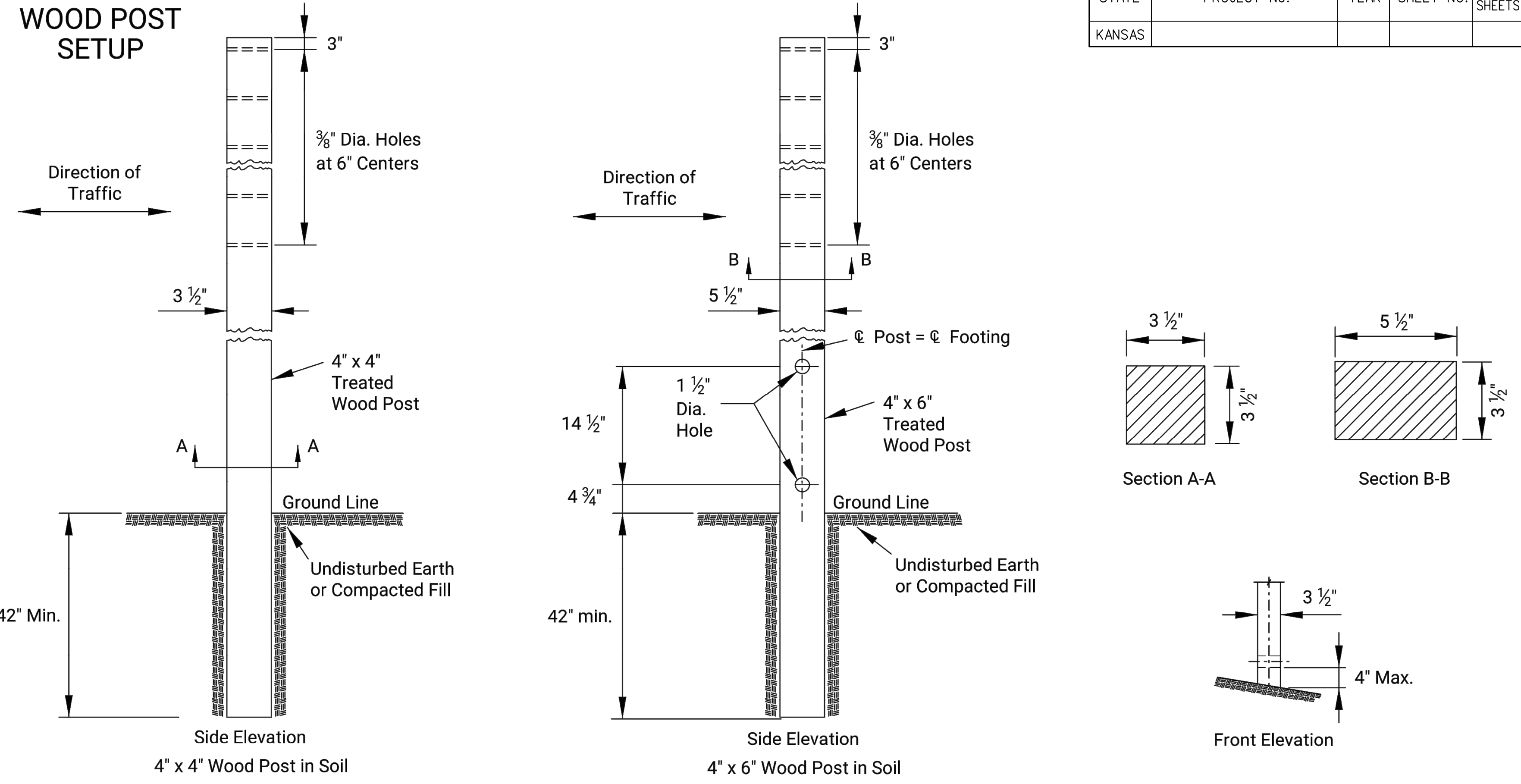
Section A-A



Section B-B

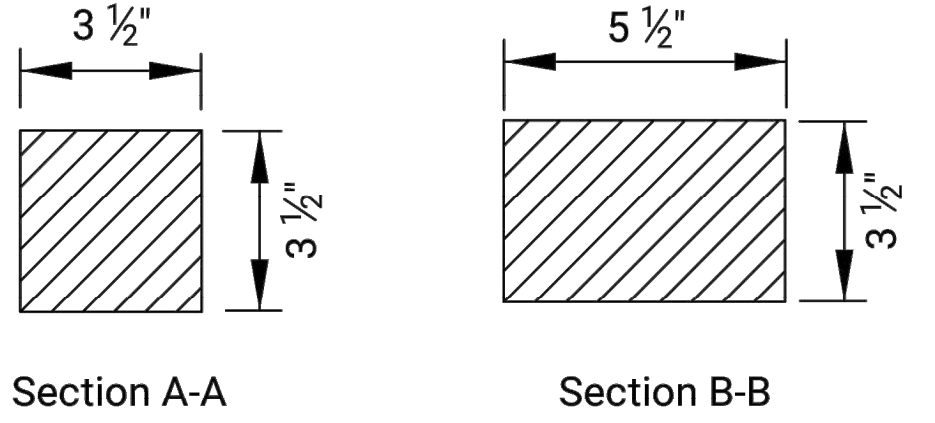
Details for 2", 2 1/4", or 2 1/2" sign posts
Place bolts in the same corner along each sign post.

WOOD POST SETUP



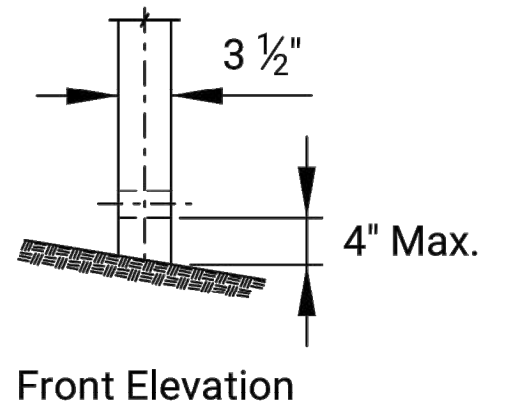
Side Elevation
4" x 4" Wood Post in Soil

Side Elevation
4" x 6" Wood Post in Soil



Section A-A

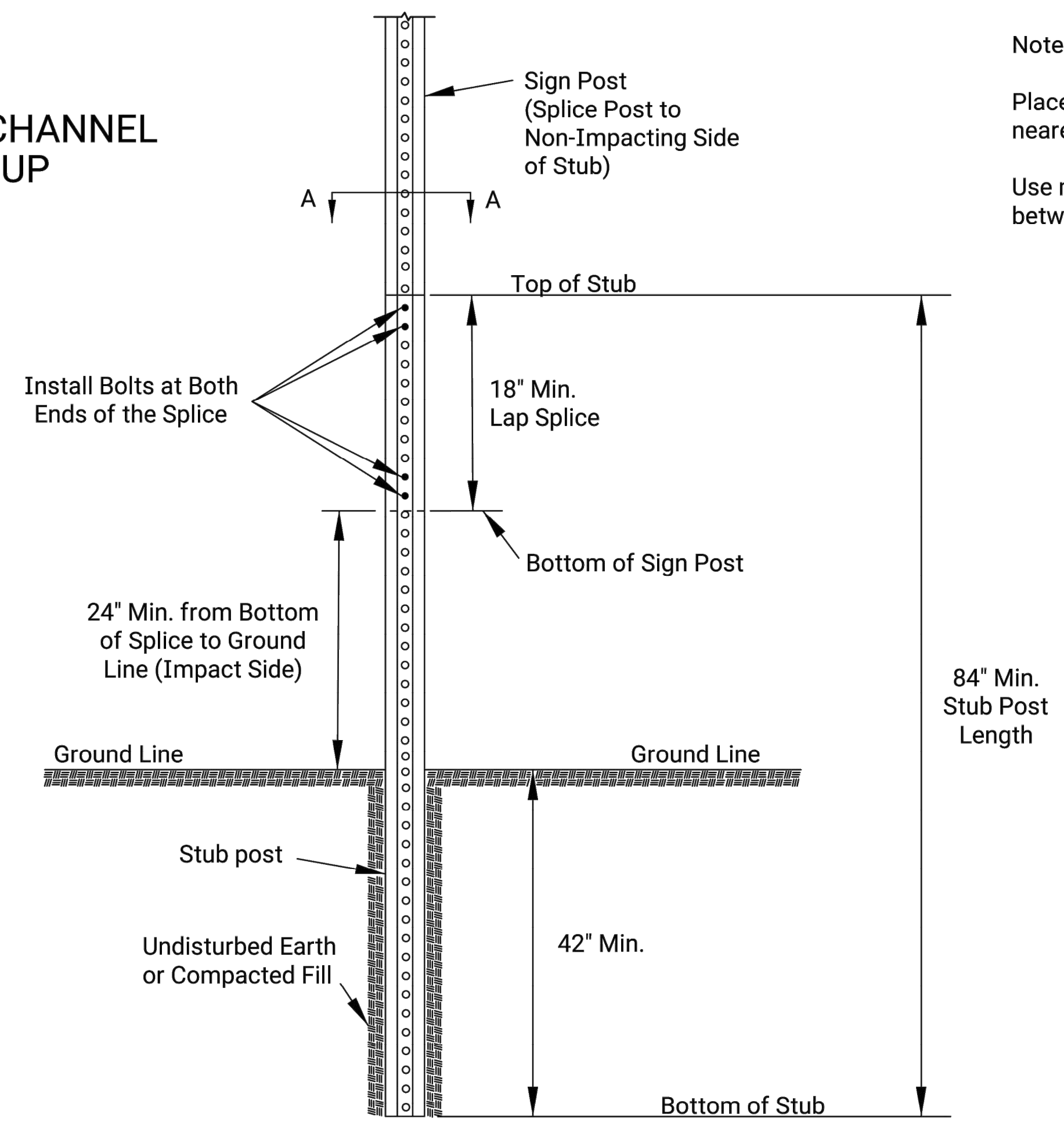
Section B-B



Front Elevation

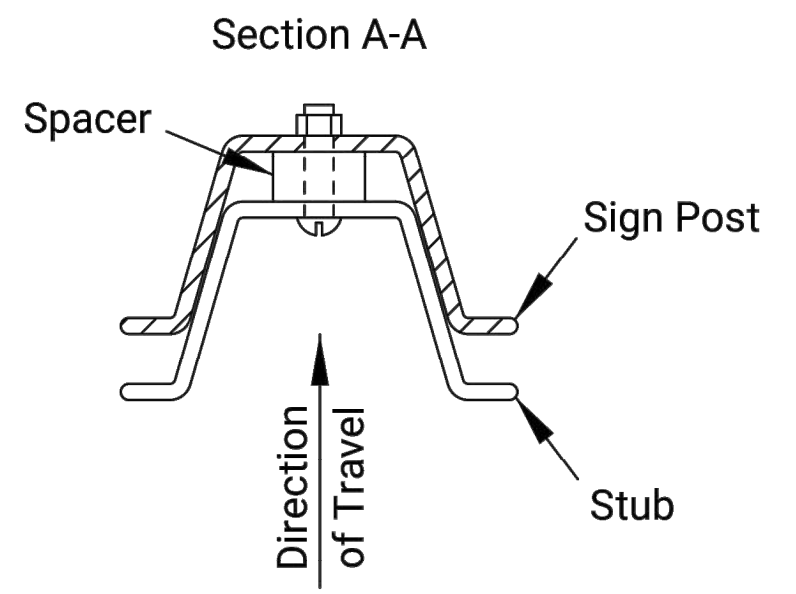
See TE710 for Additional Details and Requirements

3 LB/F U-CHANNEL SETUP



Notes:

Place two bolts at both ends of the splice through the holes nearest the ends of the splice.
Use manufacturer recommended spacers over the bolts between the spliced pieces of U-Channel.



Section A-A

Spacer
Sign Post
Stub
Direction of Travel

3				
2				
1				
NO.	DATE	REVISIONS	BY	APPD

KANSAS DEPARTMENT OF TRANSPORTATION

TRAFFIC CONTROL SIGN POSTS

TE712 33

DESIGNED	B.A.H.	DATE	06/01/15	APPD	Kristina Pyle
DESIGN CK.		DETAIL CK.		QUAN. CK.	