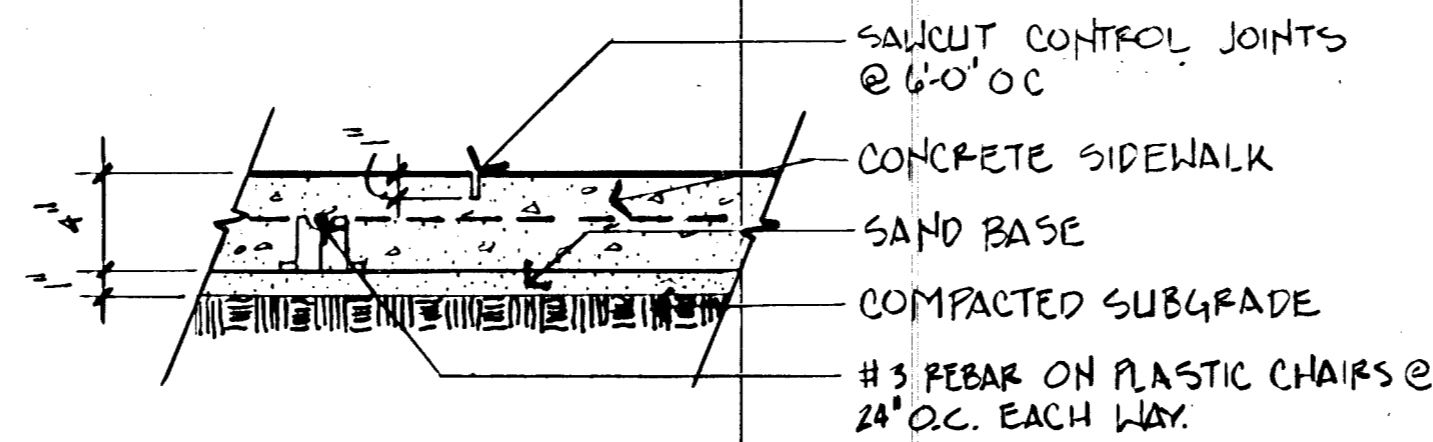
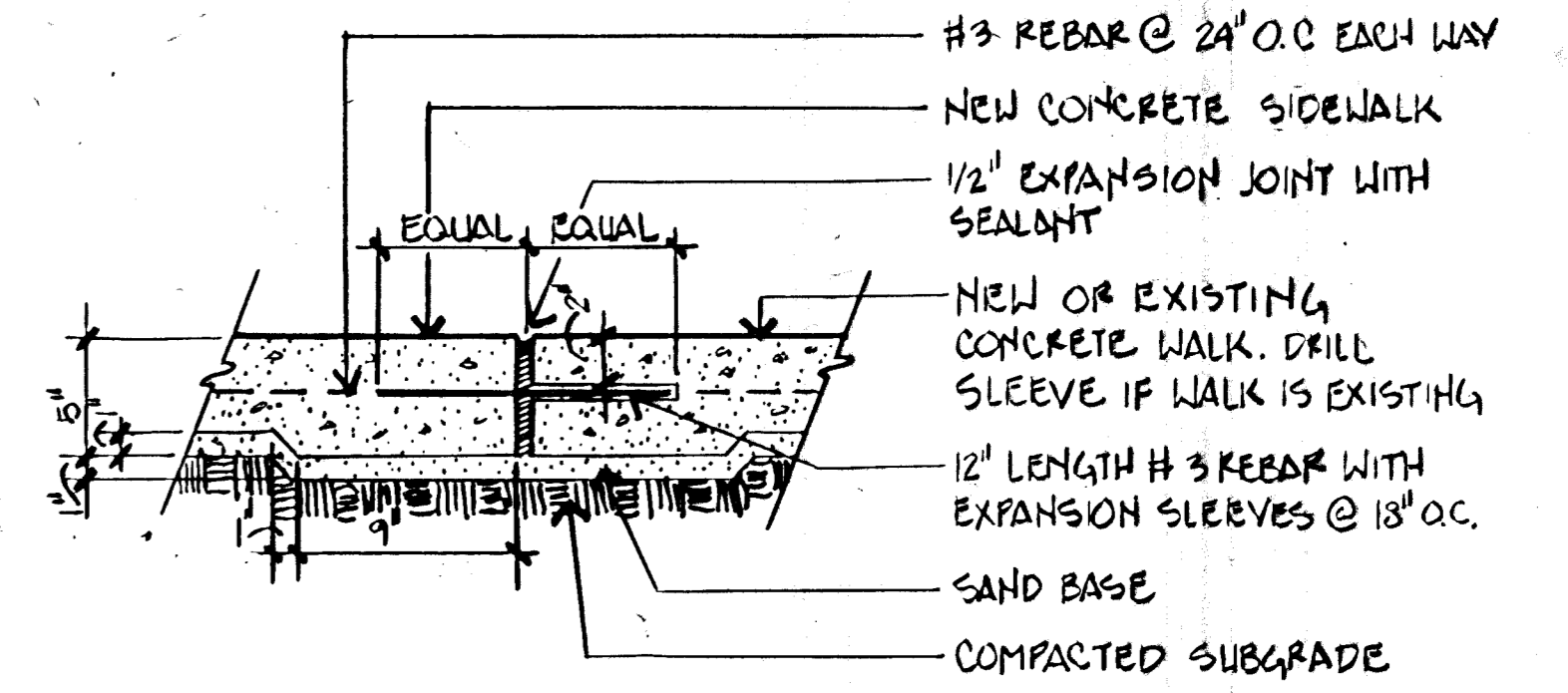


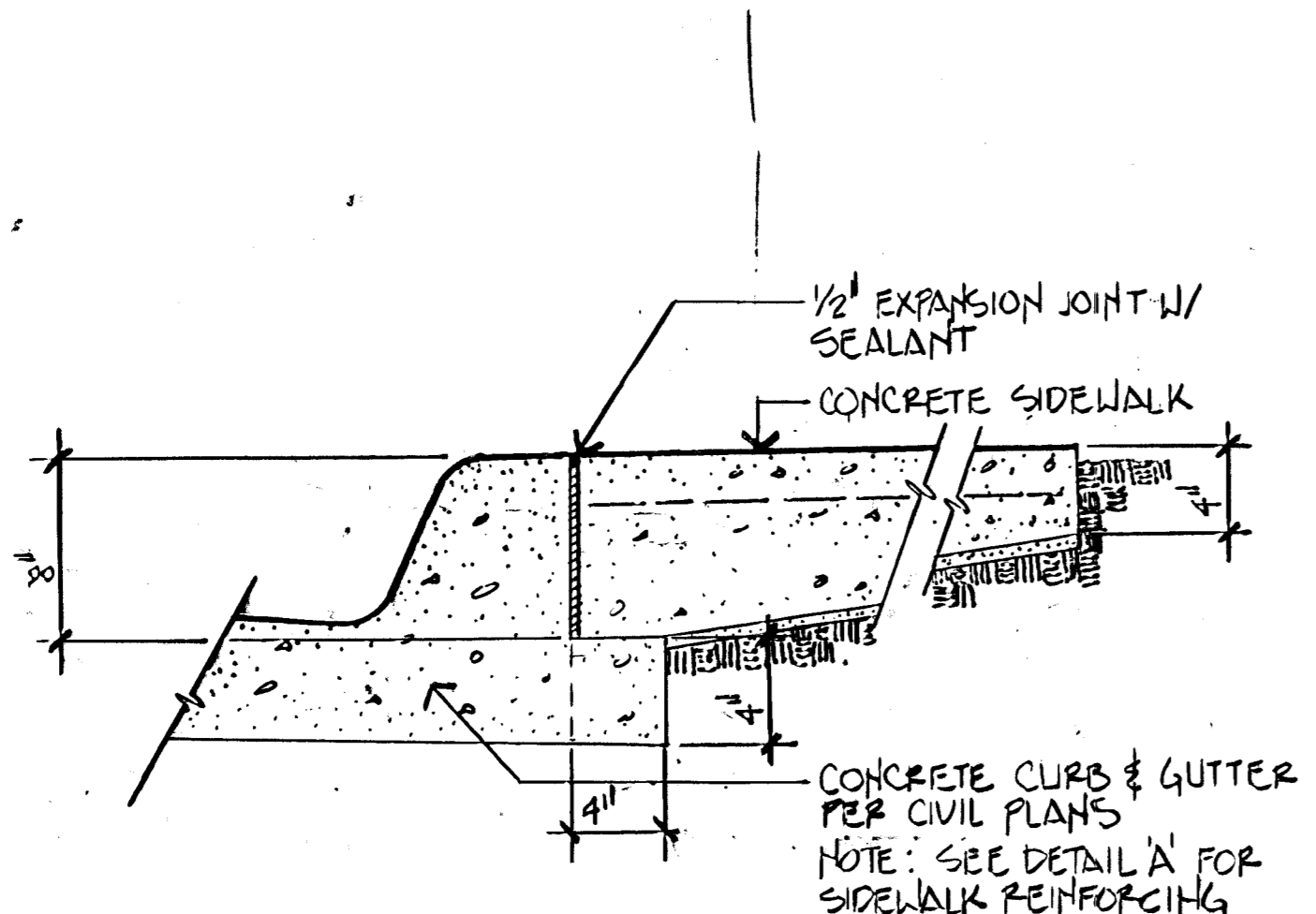
A TYPICAL SIDEWALK SECTION
1 1/2" = 1'-0"



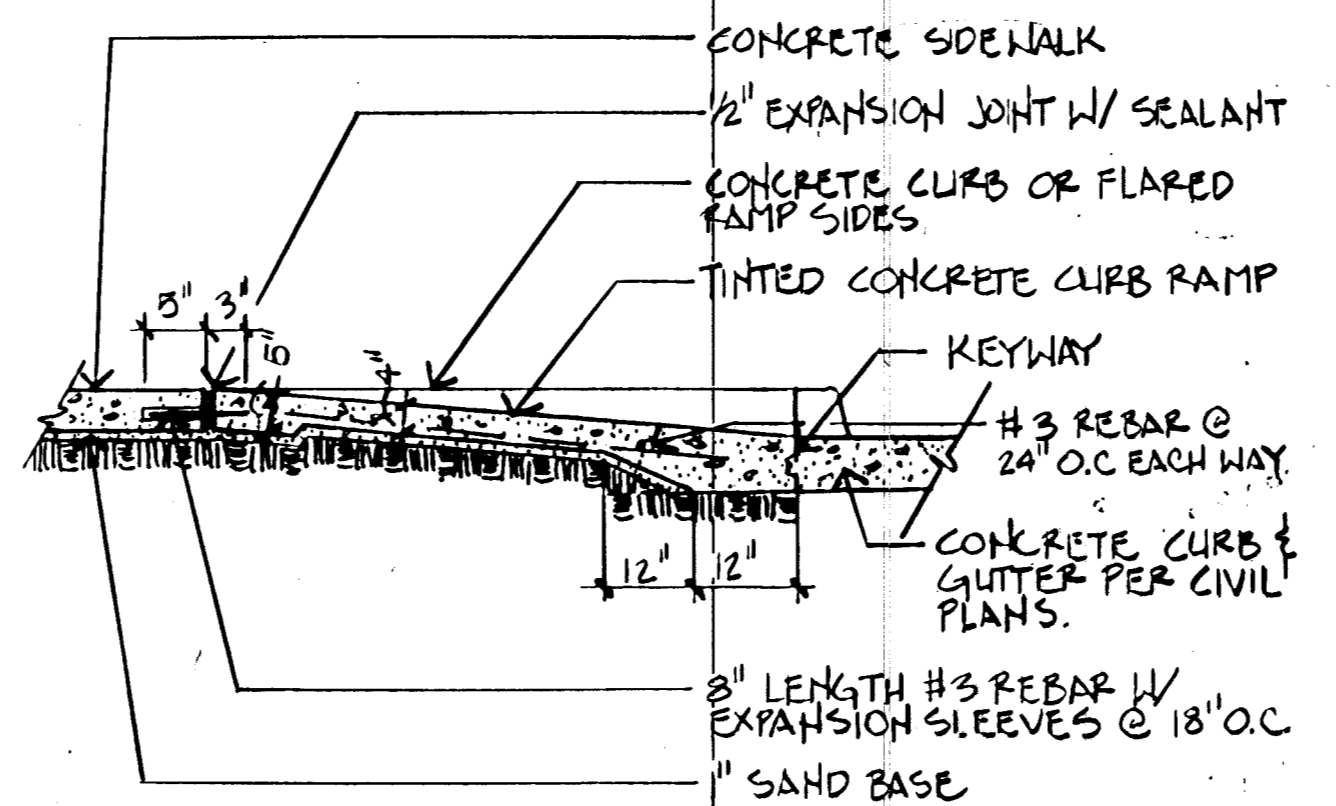
B TYPICAL SIDEWALK CONTROL JOINT
1 1/2" = 1'-0"



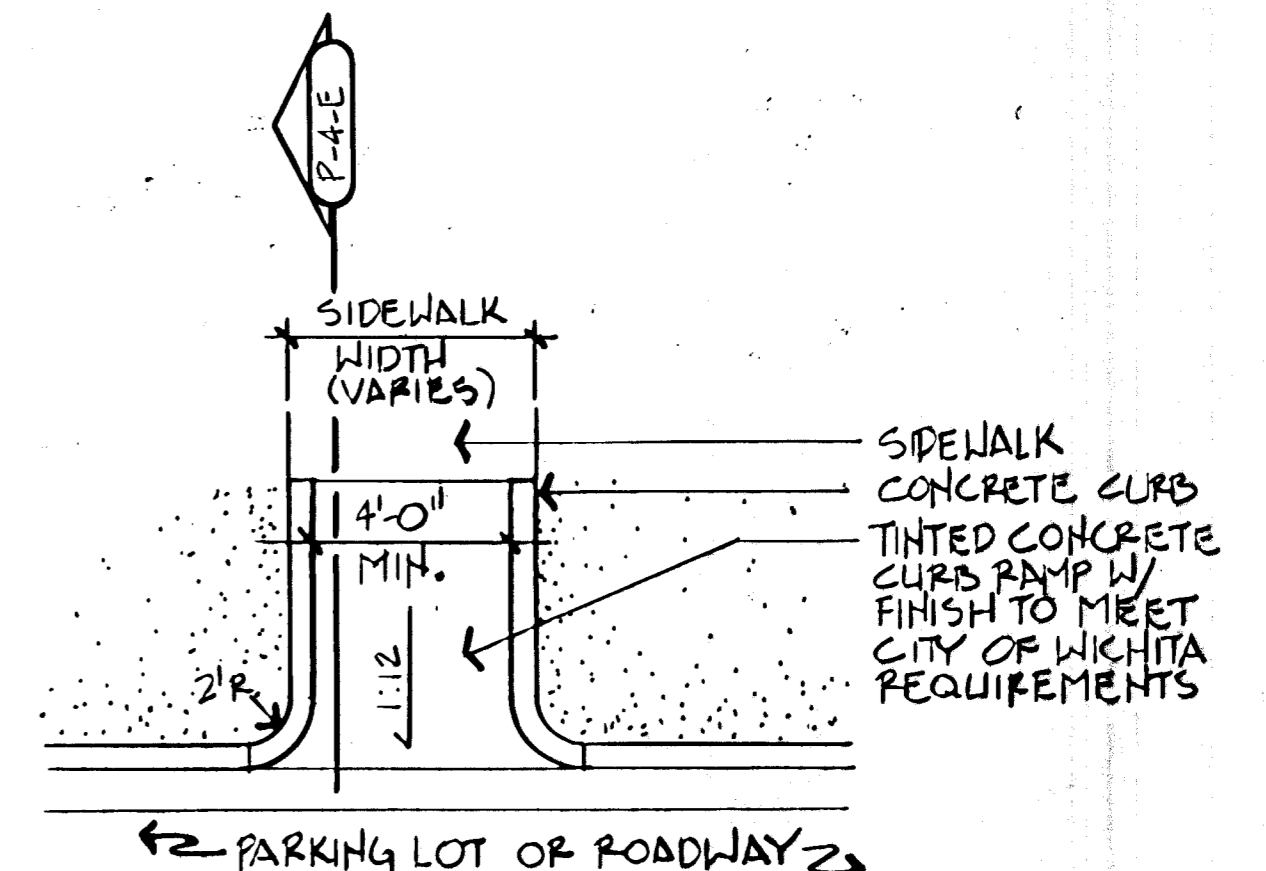
C TYPICAL SIDEWALK EXPANSION JOINT
1 1/2" = 1'-0"



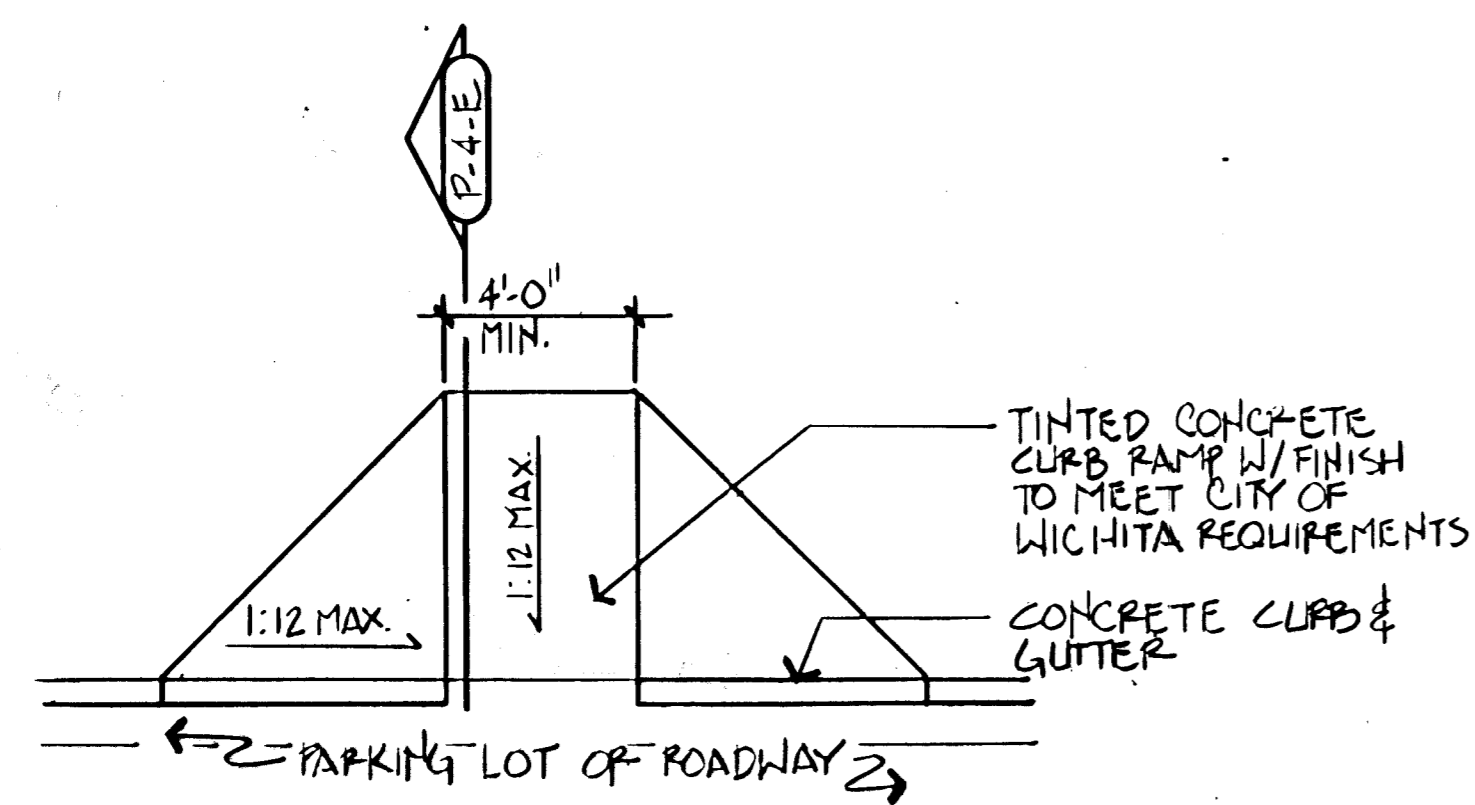
D SIDEWALK AT CURB SECTION
1 1/2" = 1'-0"



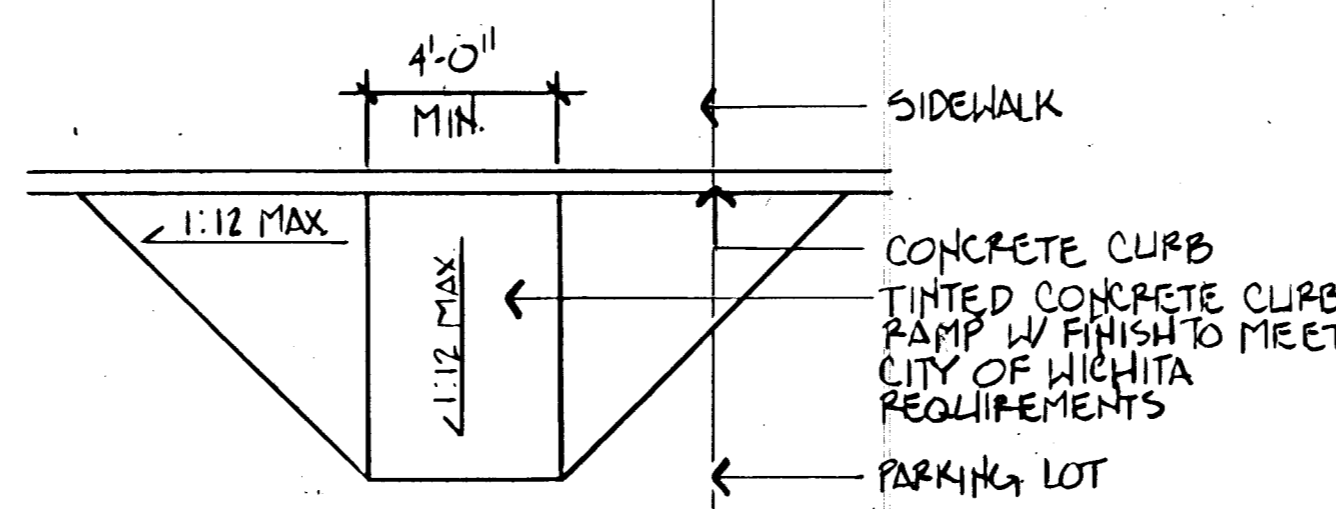
E TYPICAL CURB RAMP SECTION
3/8" = 1'-0"



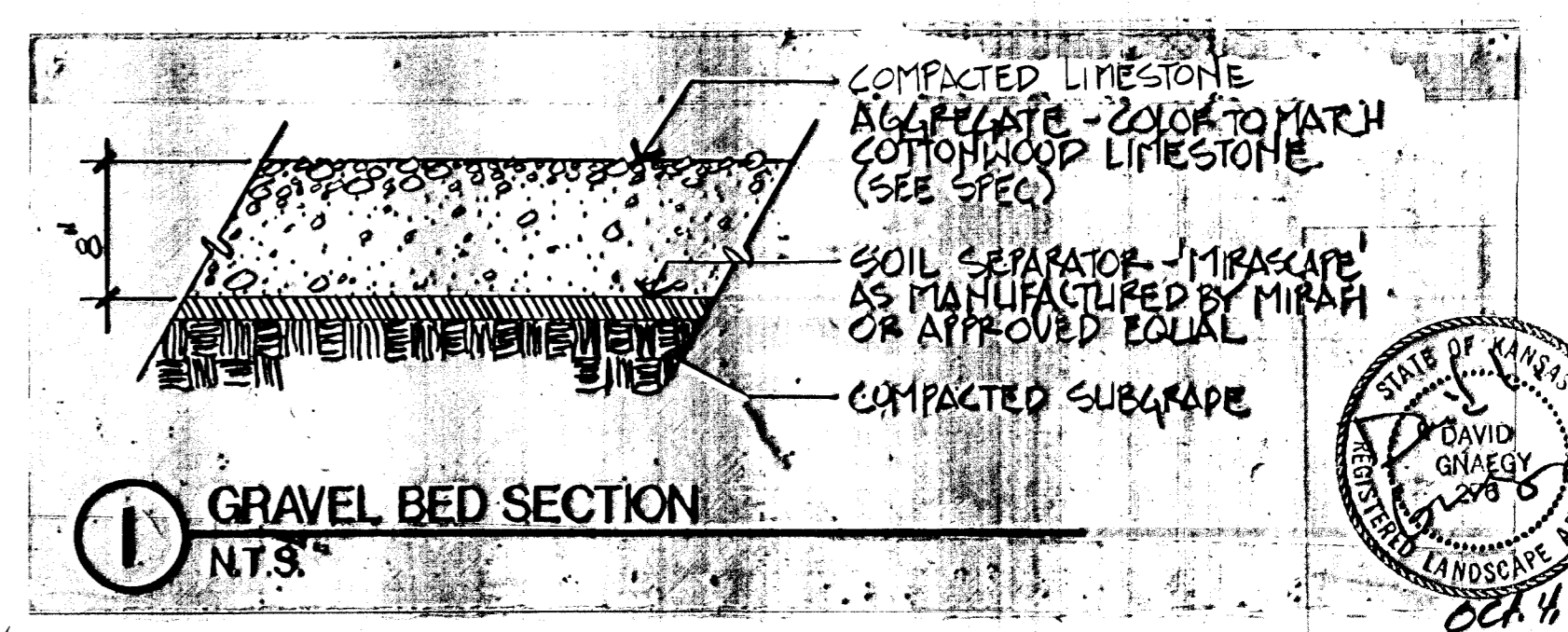
F TYPE "A" RAMP
1/4" = 1'-0"



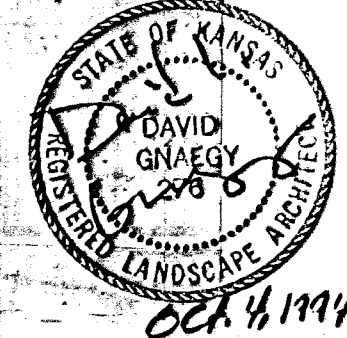
G TYPE "B" RAMP
1/4" = 1'-0"



H TYPE "C" RAMP
1/4" = 1'-0"



I GRAVEL BED SECTION
N.T.S.



| REV. | DATE | DESCRIPTION |
|------|------|-------------|
| | | |
| | | |
| | | |
| | | |



HELLMUTH, OBATA & KASSABAUM, INC.
DALLAS, TEXAS
PROFESSIONAL ENGINEERING
CONSULTANTS, PA
WICHITA, KANSAS
BRAD J. GOLDBERG, ARTIST
DALLAS, TEXAS

**MID-AMERICA
ALL-INDIAN CENTER
SITE IMPROVEMENTS**
CITY OF WICHITA, KANSAS
SHEET TITLE:
PAVING DETAILS

DRAWN BY: APPROVED BY: PROJECT NO.: 92-036-122 ISSUE DATE: SCALE: 1" = 20' SHEET: P-5