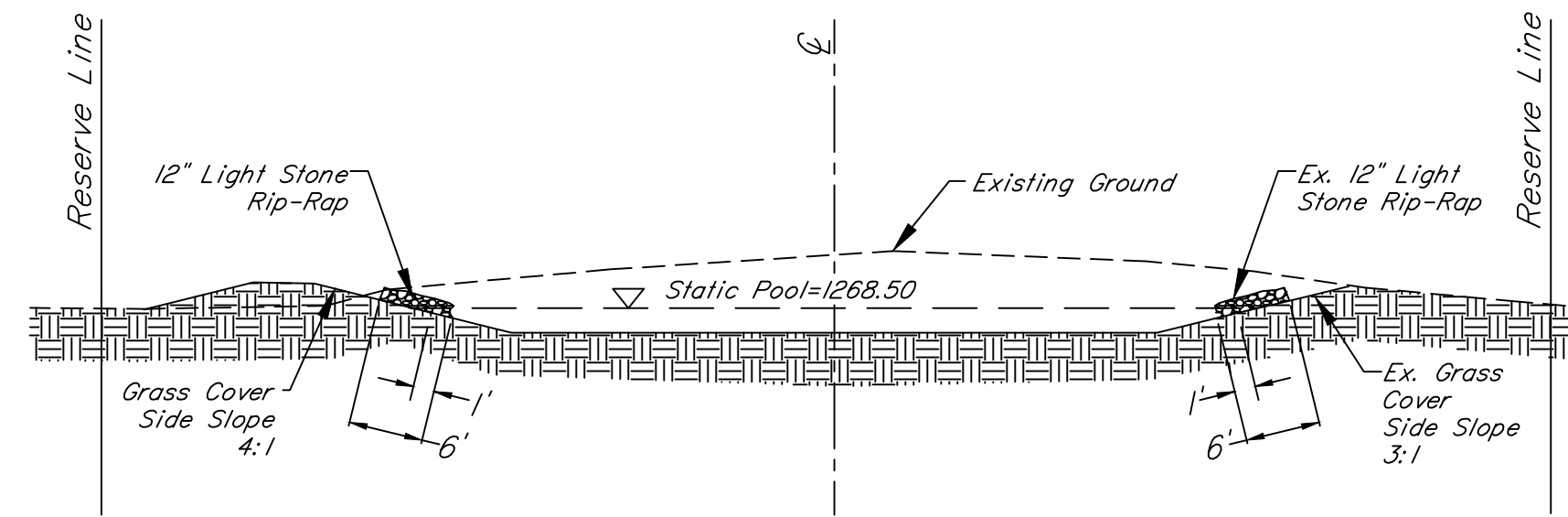
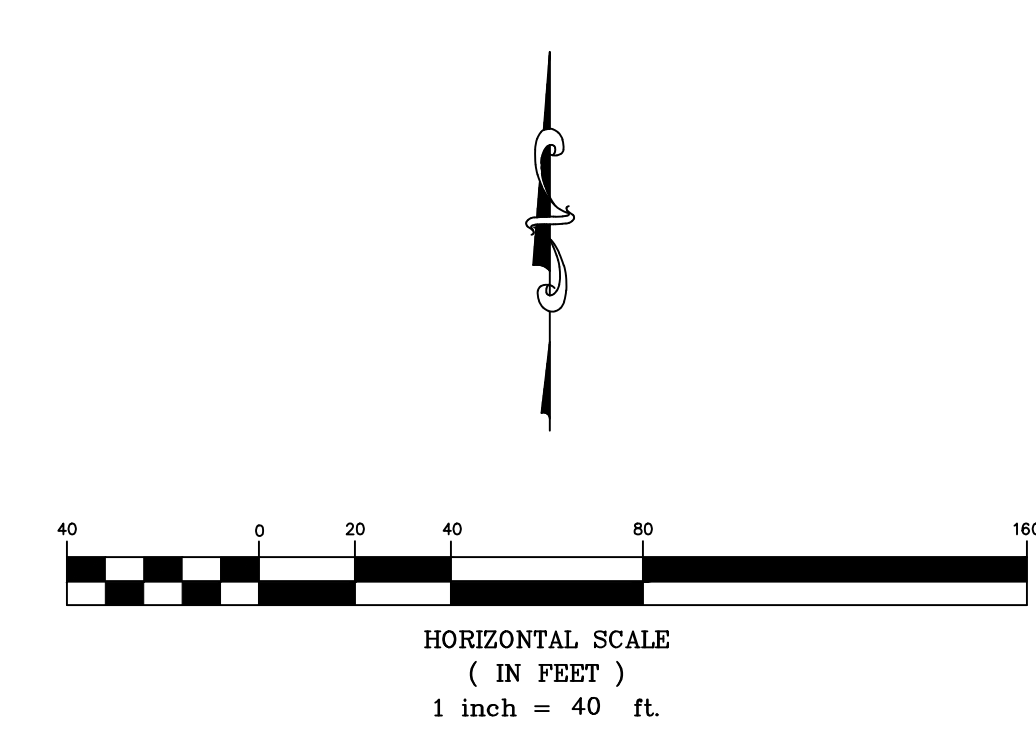
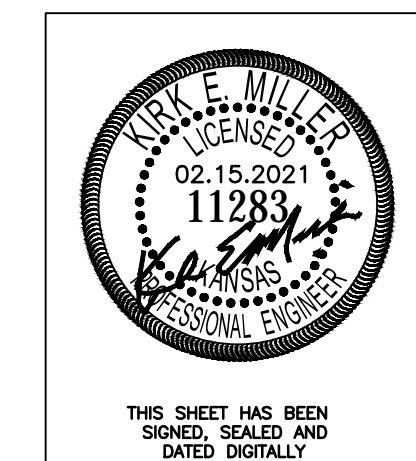
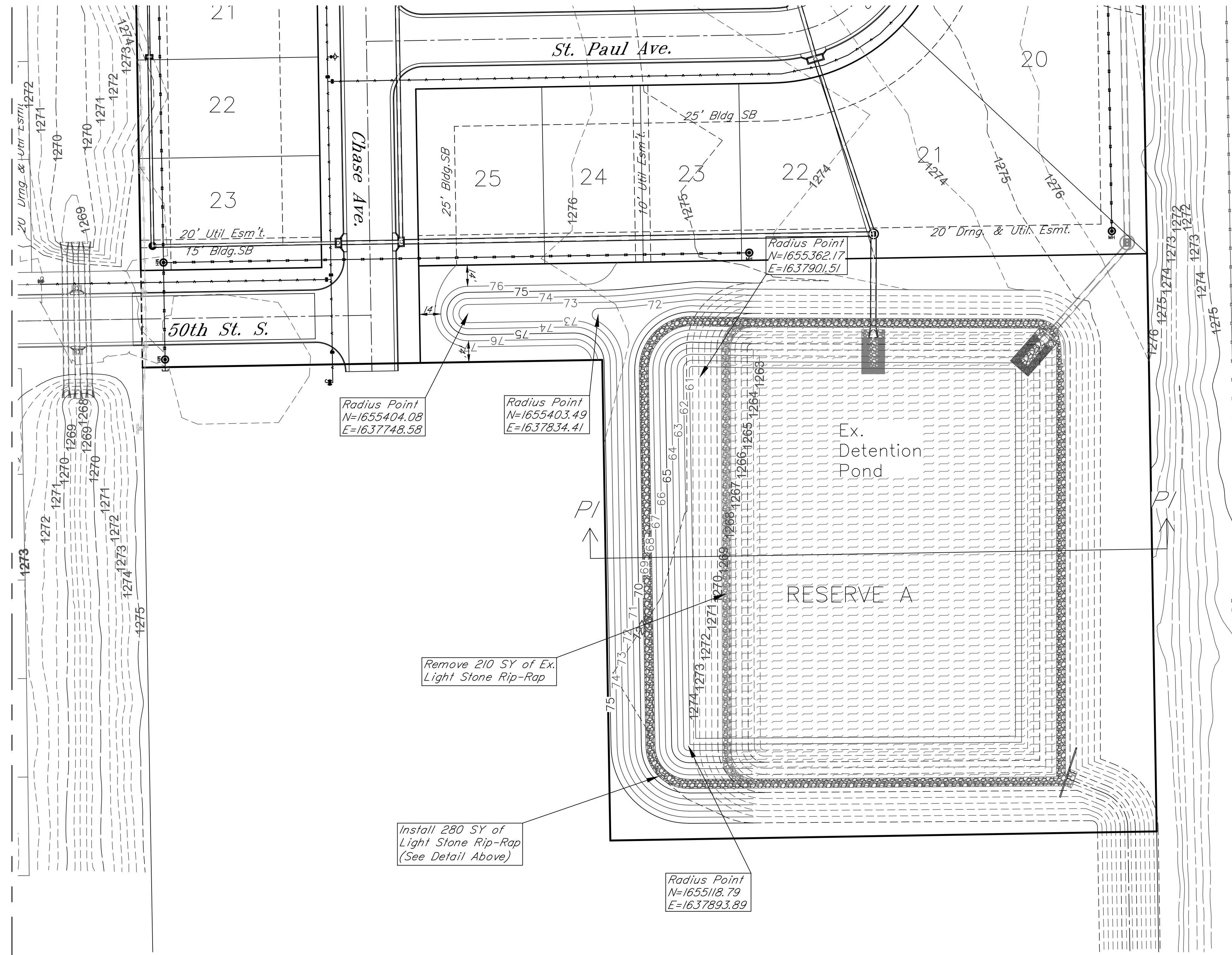
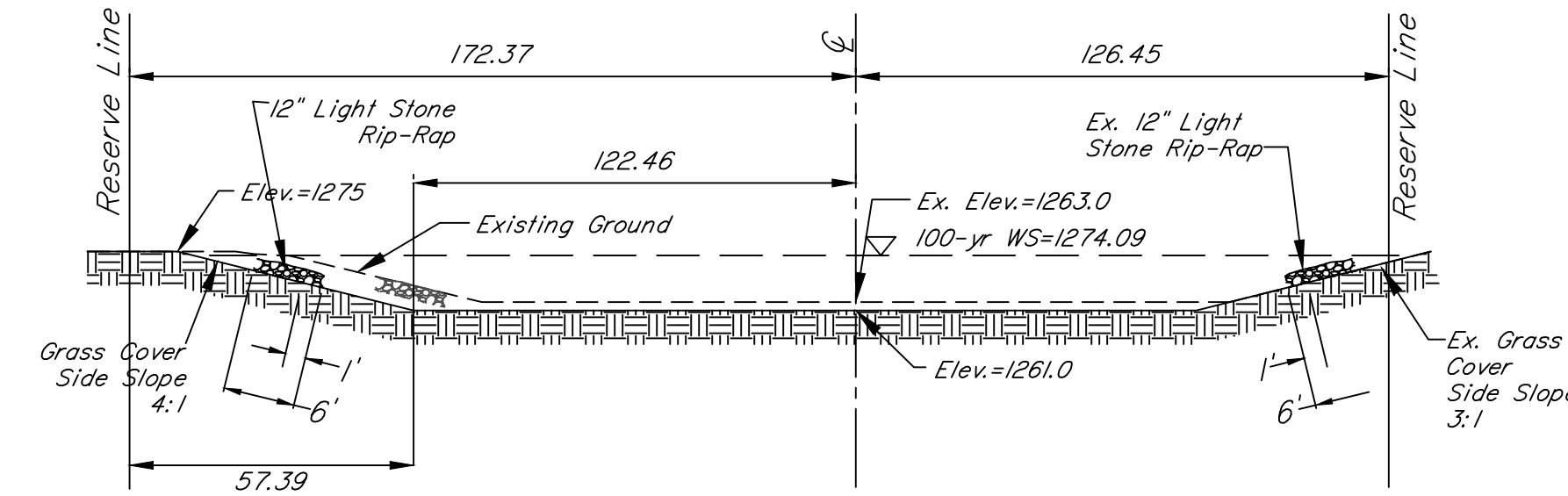


Typical Slope Protection
Detention Pond



Section PI-PI
Detention Pond



Fox Run Addition (Phase II)
Pond Plan
Wichita, Kansas

	PROJECT NUMBER			3.0
	KEM NO. 20061	FILE	DATE 10/2020	
DESIGN ME	DRAWN ZS	REVISED 02/15/2021		

February 15, 2021