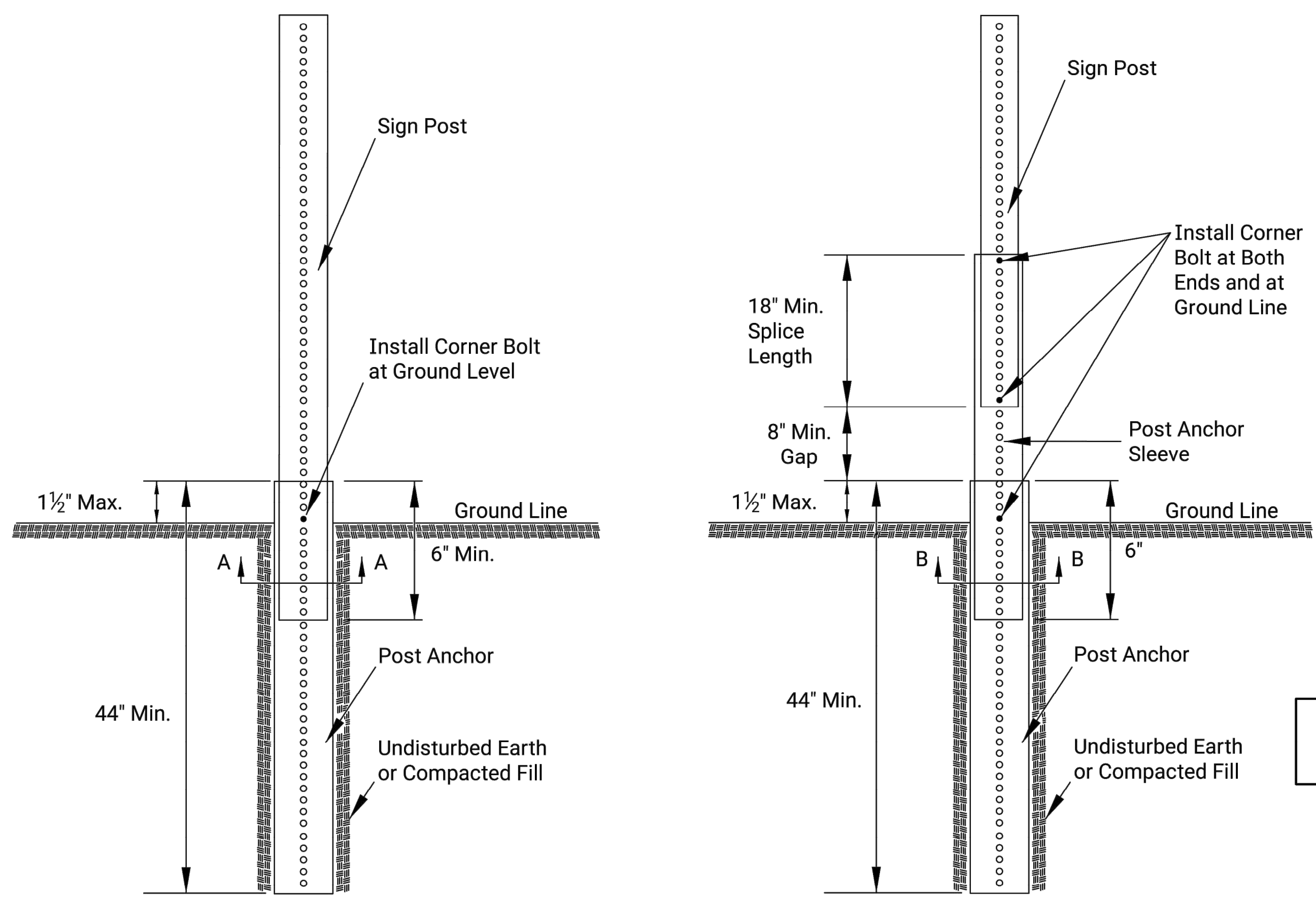


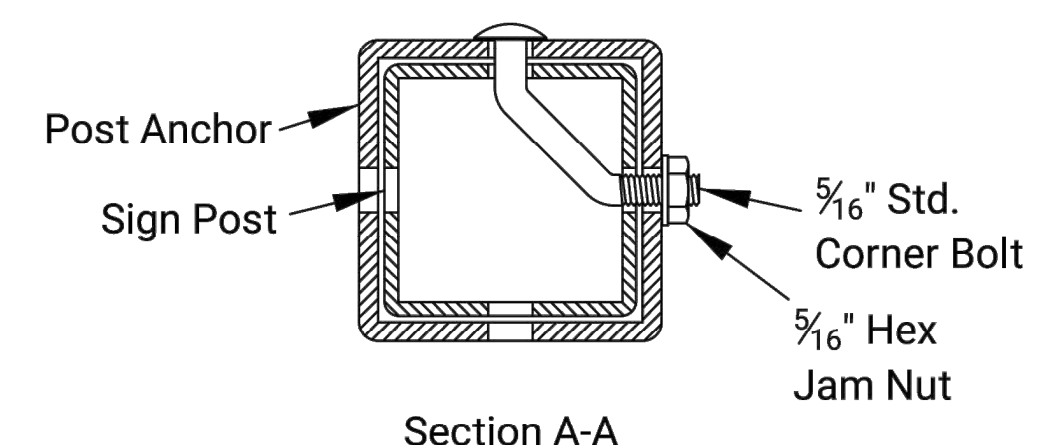
PLOTTED: Thursday, February 11, 2021 @ 03:08PM

PERFORATED SQUARE STEEL TUBE (P.S.S.T.) POST SETUP

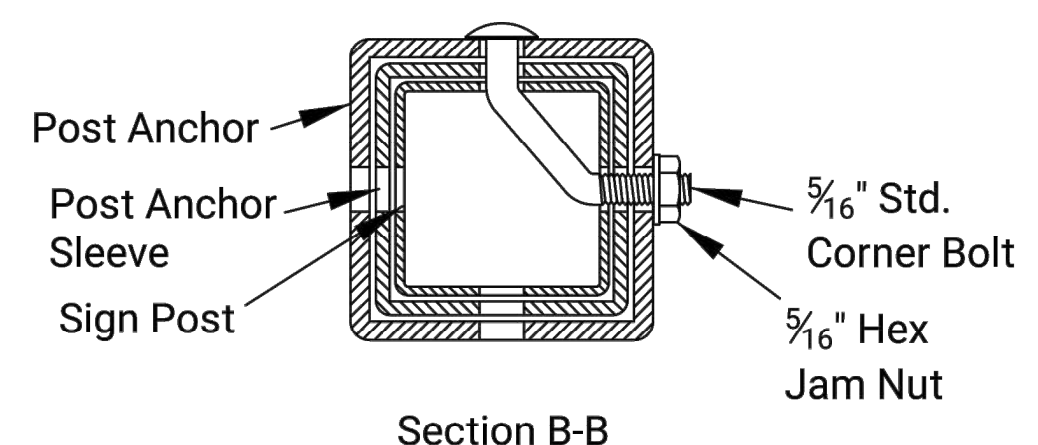


P.S.S.T. Detail

Telescoping P.S.S.T. Detail



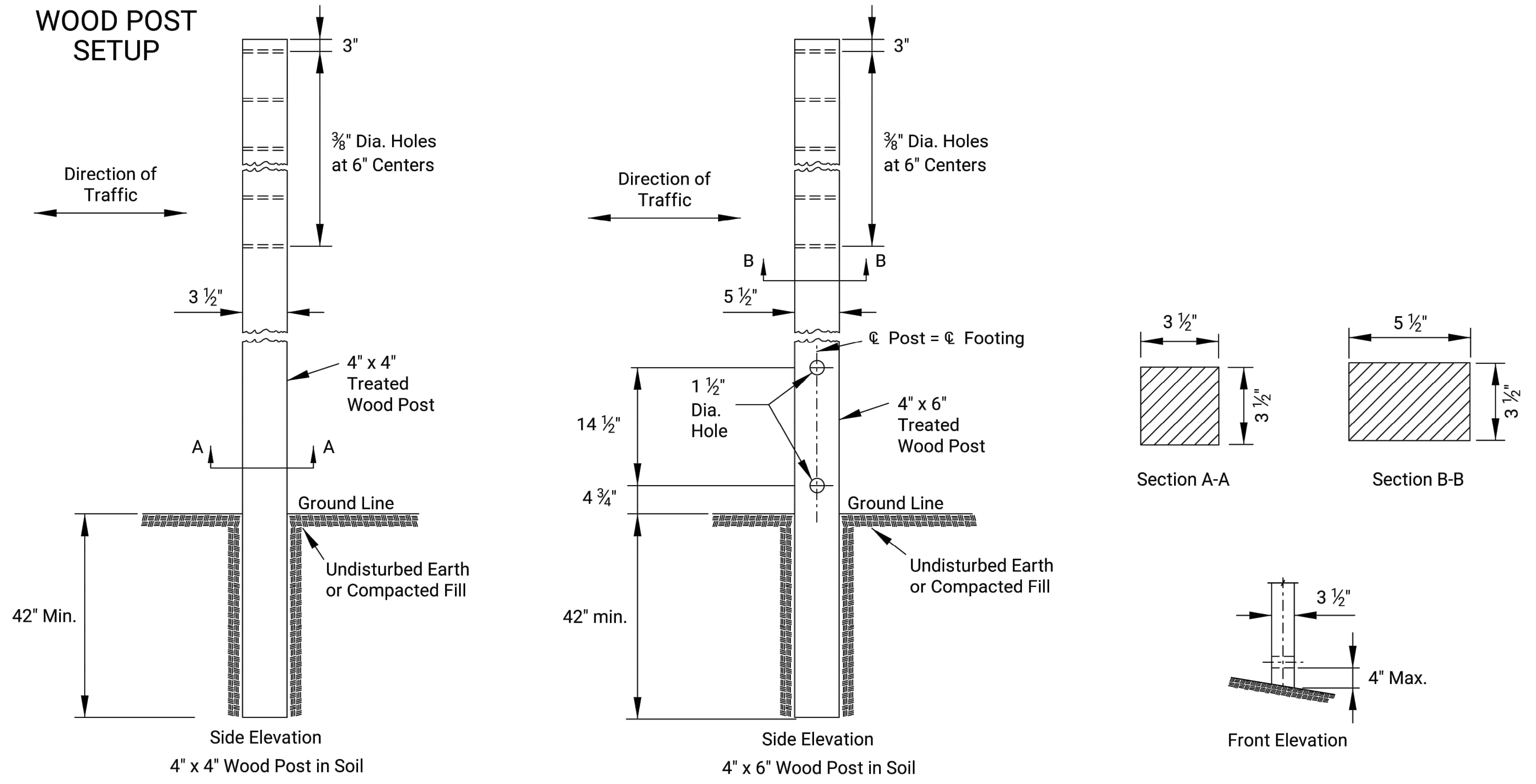
Section A-A



Section B-B

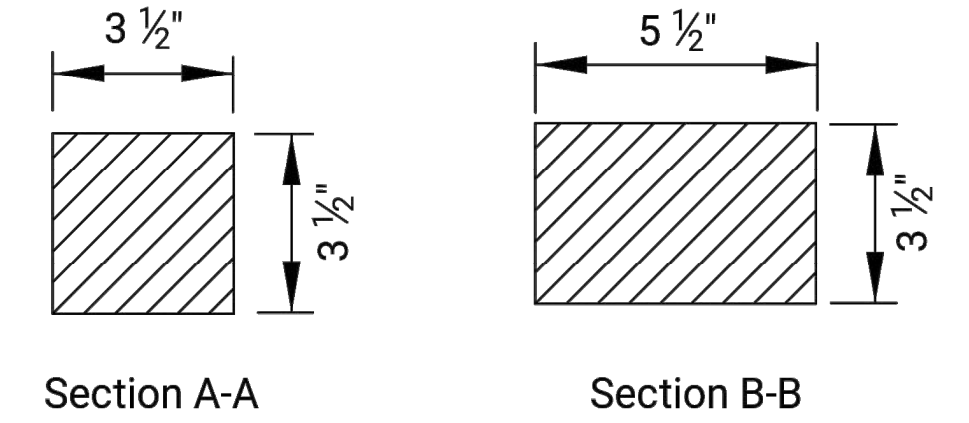
Details for 2", 2 1/4", or 2 1/2" sign posts
Place bolts in the same corner along each sign post.

WOOD POST SETUP



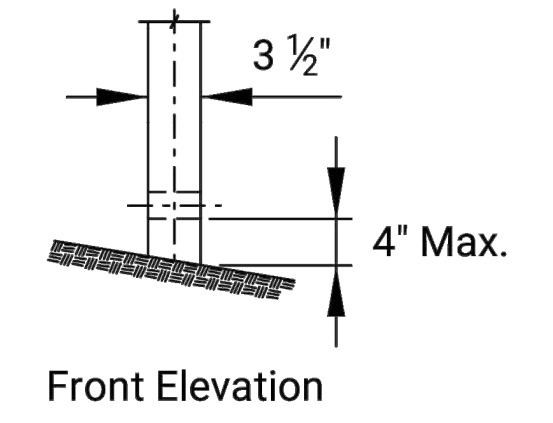
Side Elevation
4" x 4" Wood Post in Soil

Side Elevation
4" x 6" Wood Post in Soil



Section A-A

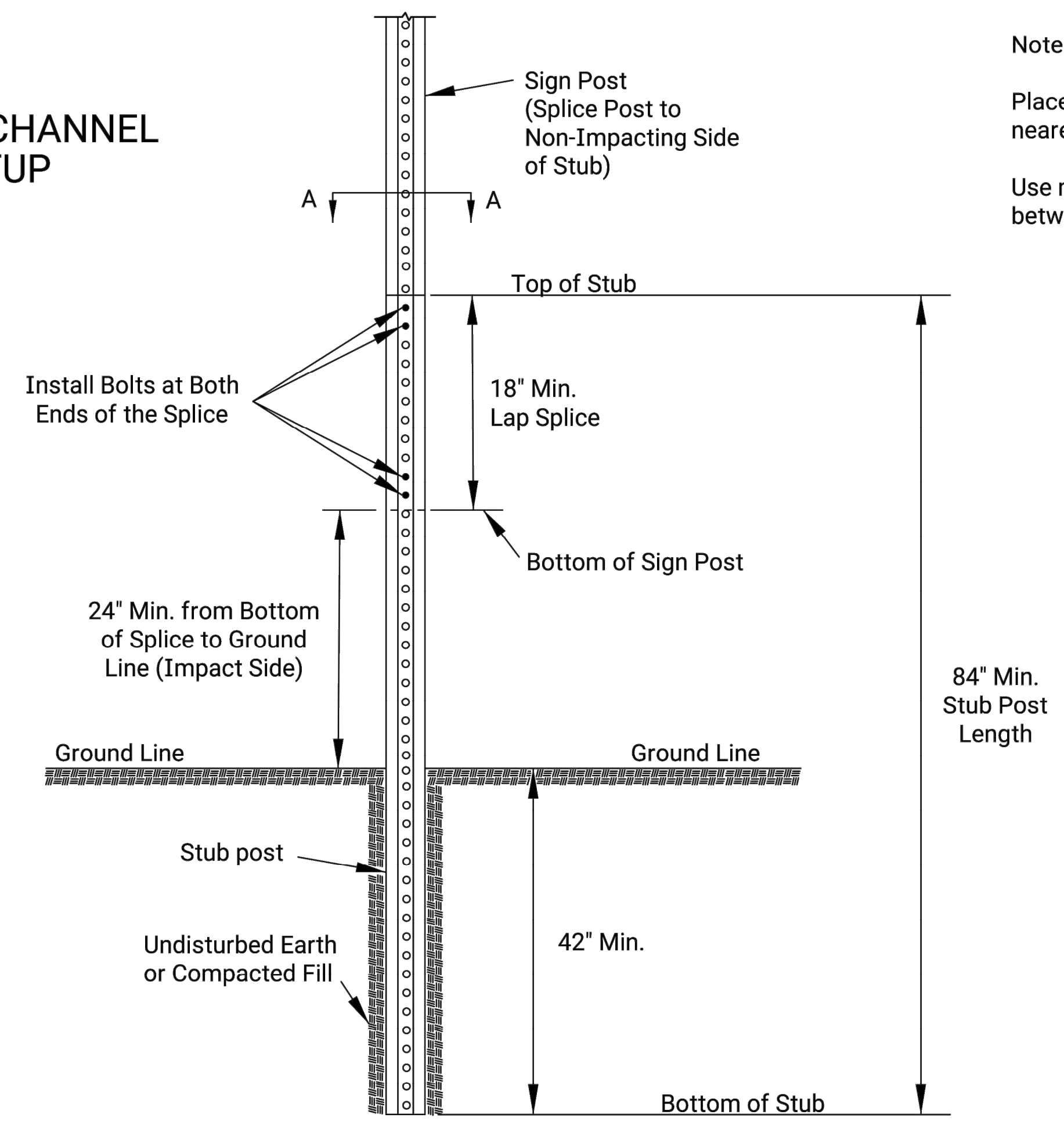
Section B-B



Front Elevation

See TE710 for Additional
Details and Requirements

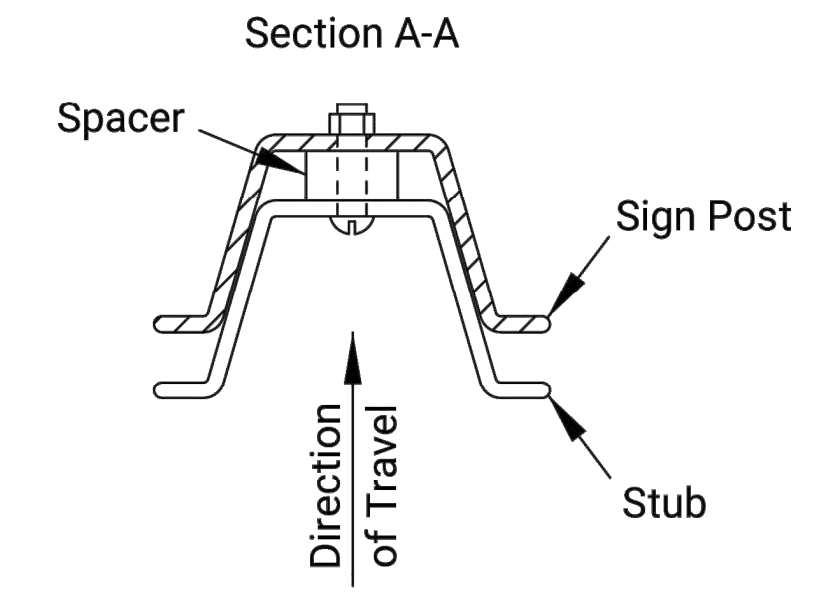
3 LB/F U-CHANNEL SETUP



84" Min.
Stub Post
Length

Notes:

- Place two bolts at both ends of the splice through the holes nearest the ends of the splice.
- Use manufacturer recommended spacers over the bolts between the spliced pieces of U-Channel.



Section A-A

3					
2					
1					
NO.	DATE	REVISIONS	BY	APP'D	

KANSAS DEPARTMENT OF TRANSPORTATION

**TRAFFIC CONTROL
SIGN POSTS**

TE712

DESIGNED	B.A.H.	DATE	06/01/15	APP'D	Kristina Pyle
DESIGN CK.		DETAIL CK.		QUANTITIES	TRACED
				QUAN. CK.	TRACE CK.

Plotted : 29-MAR-2018 12:40 Traffic
Drawn By : mushock
File : te712.dgn

KDOT Graphics Certified