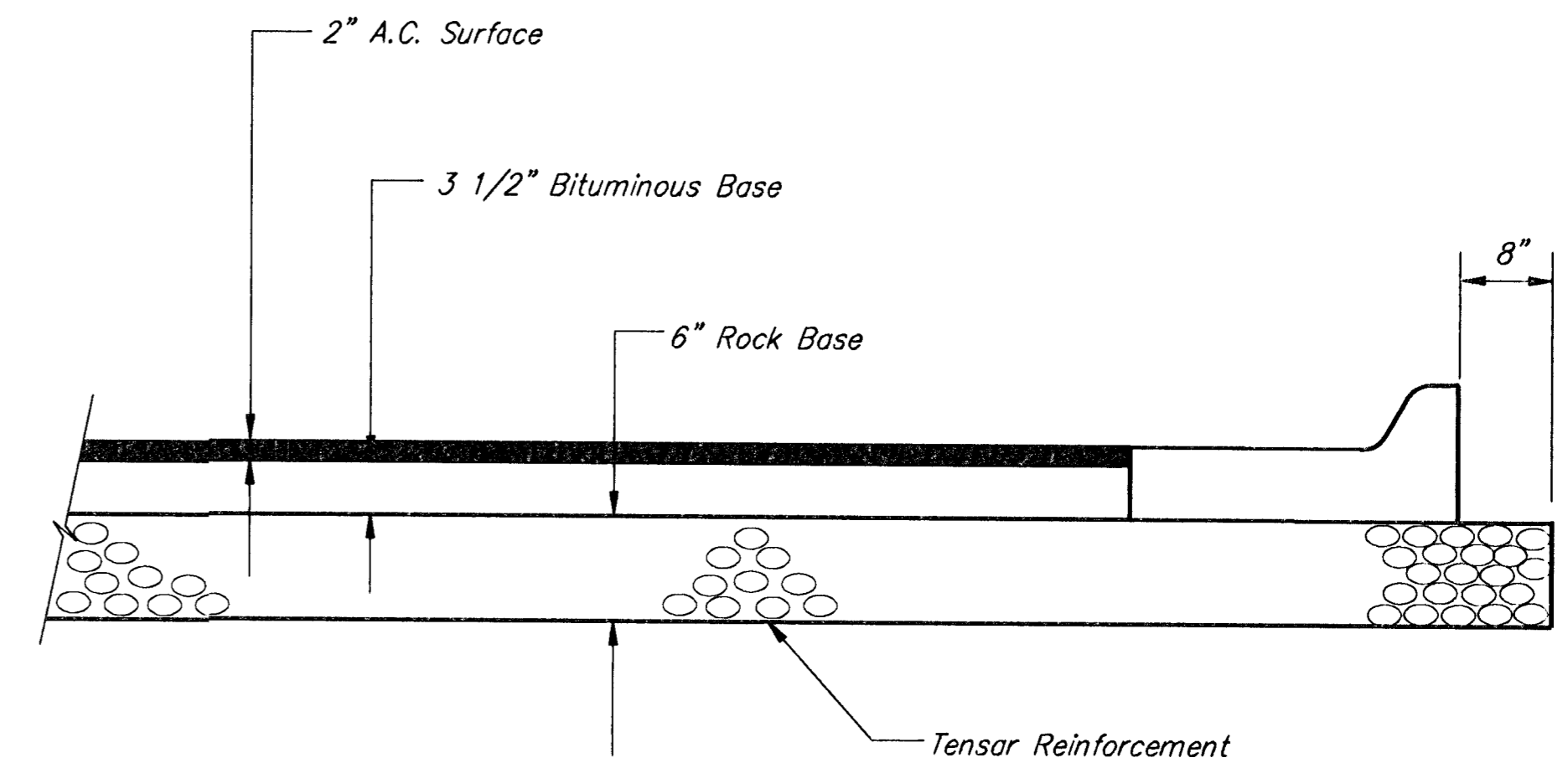
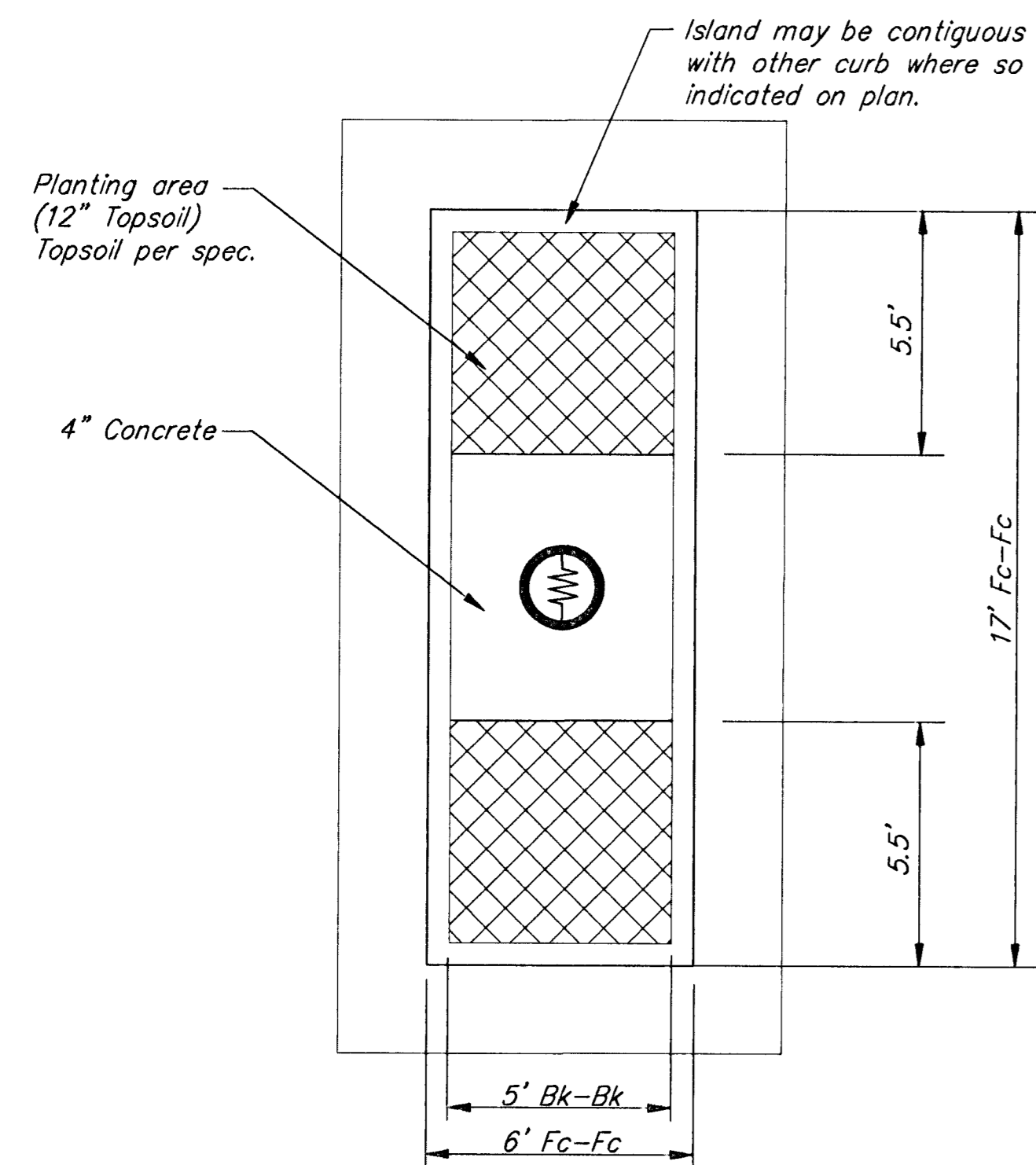


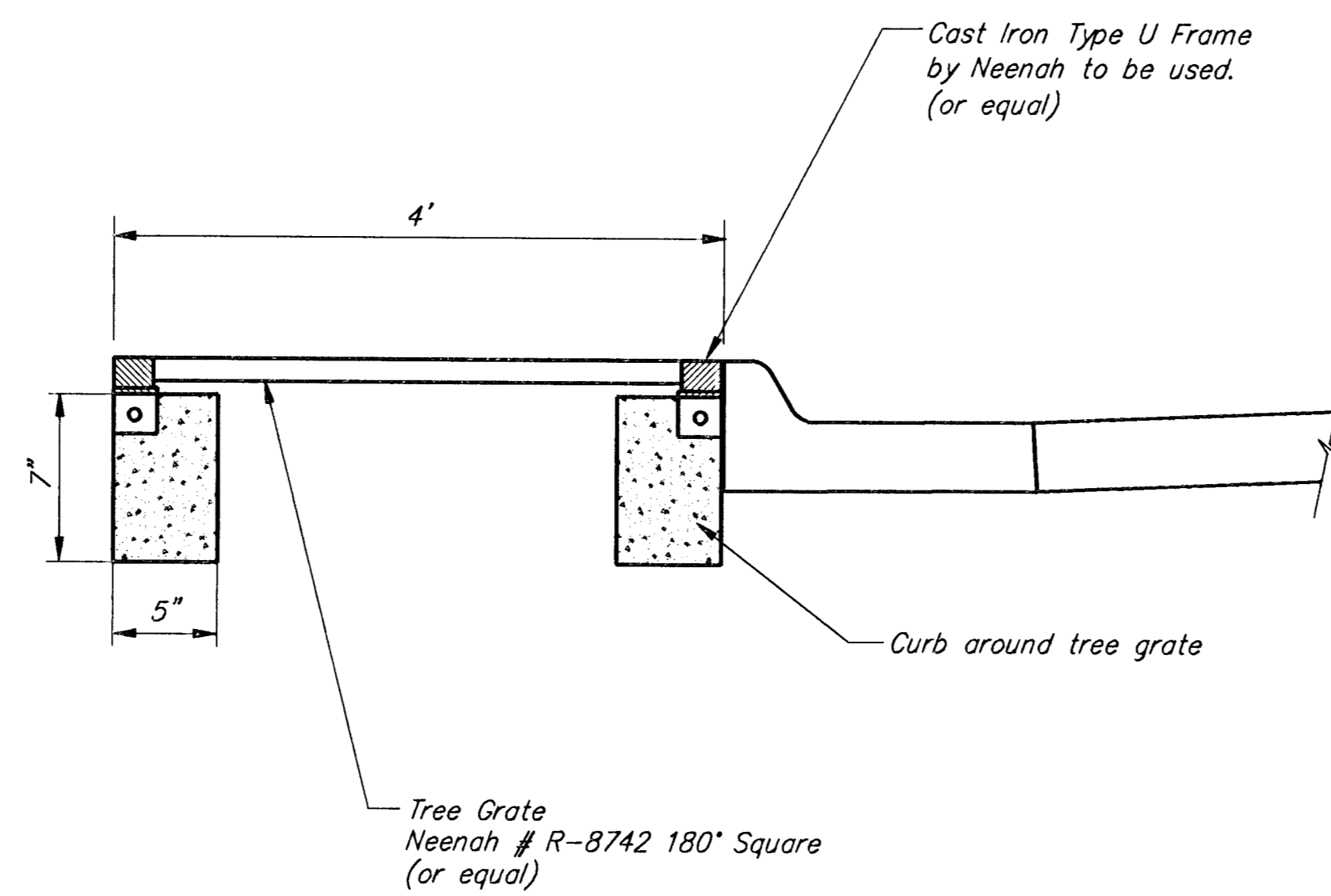
**COMBINED CURB & GUTTER**



**TYPICAL SECTION**



**ISLAND DETAIL**



**TREE GRATE DETAIL**

OLD TOWN PARKING LOT TYPICAL PAVEMENT SECTIONS & DETAILS					
<b>SRB</b>		841 SOUTH HILLSIDE WICHITA, KANSAS 67211		316-652-7754 FAX 652-7932	
SAVOY, RUGGLES & BOHM, P. A. ENGINEERING & SURVEYING					
PROJECT NUMBER					
DRAWN	DESIGN	REVIEW	DATE	UTILITY	SRB JOB
T. Brocks	T. Ruggles		Feb. 18, 1994		101E
REVISED					3
101E TYP-SEC					14