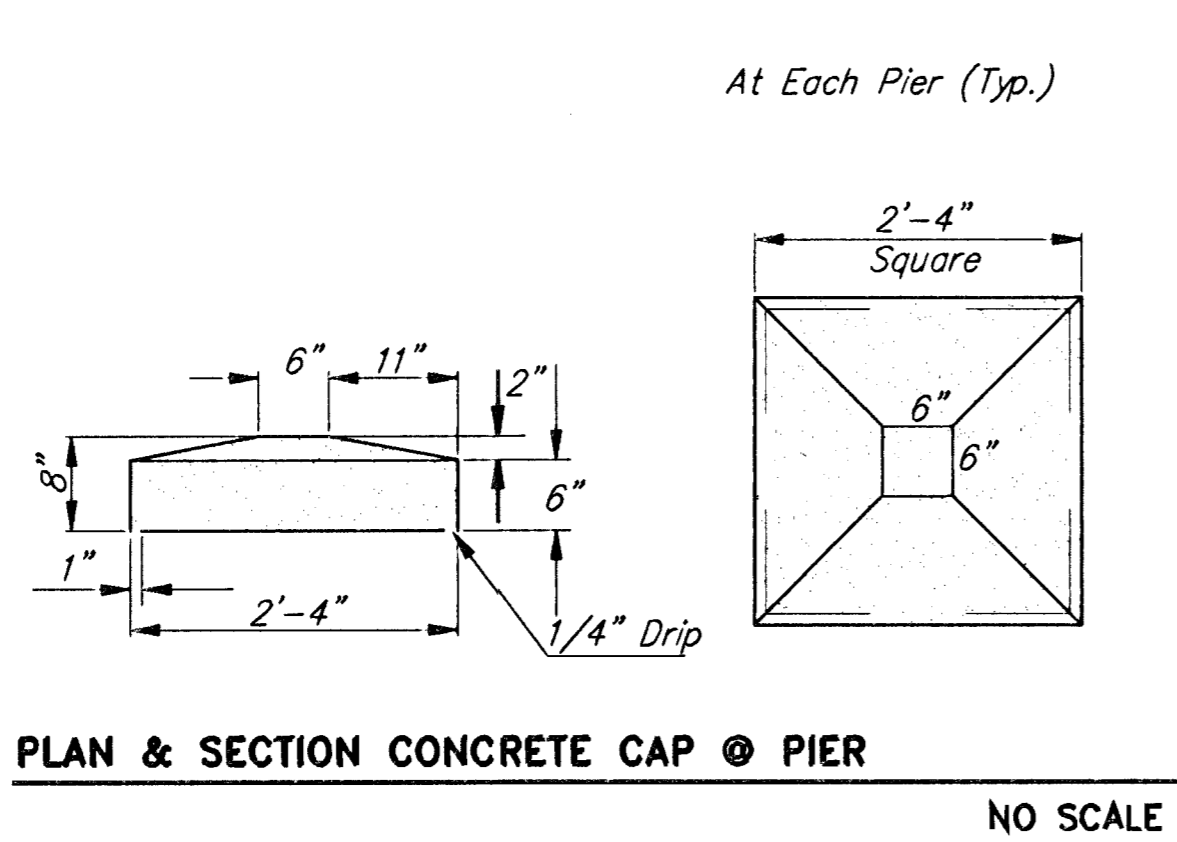
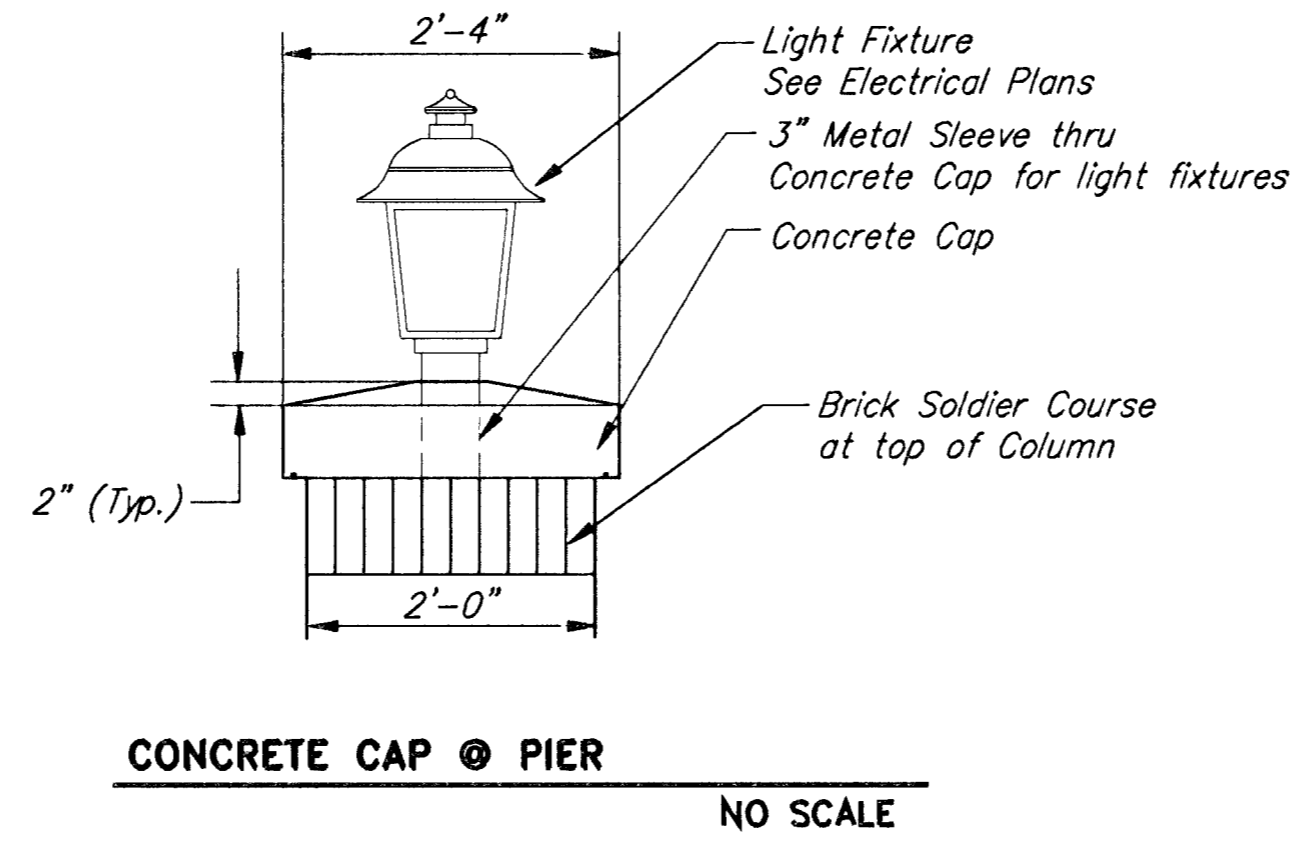


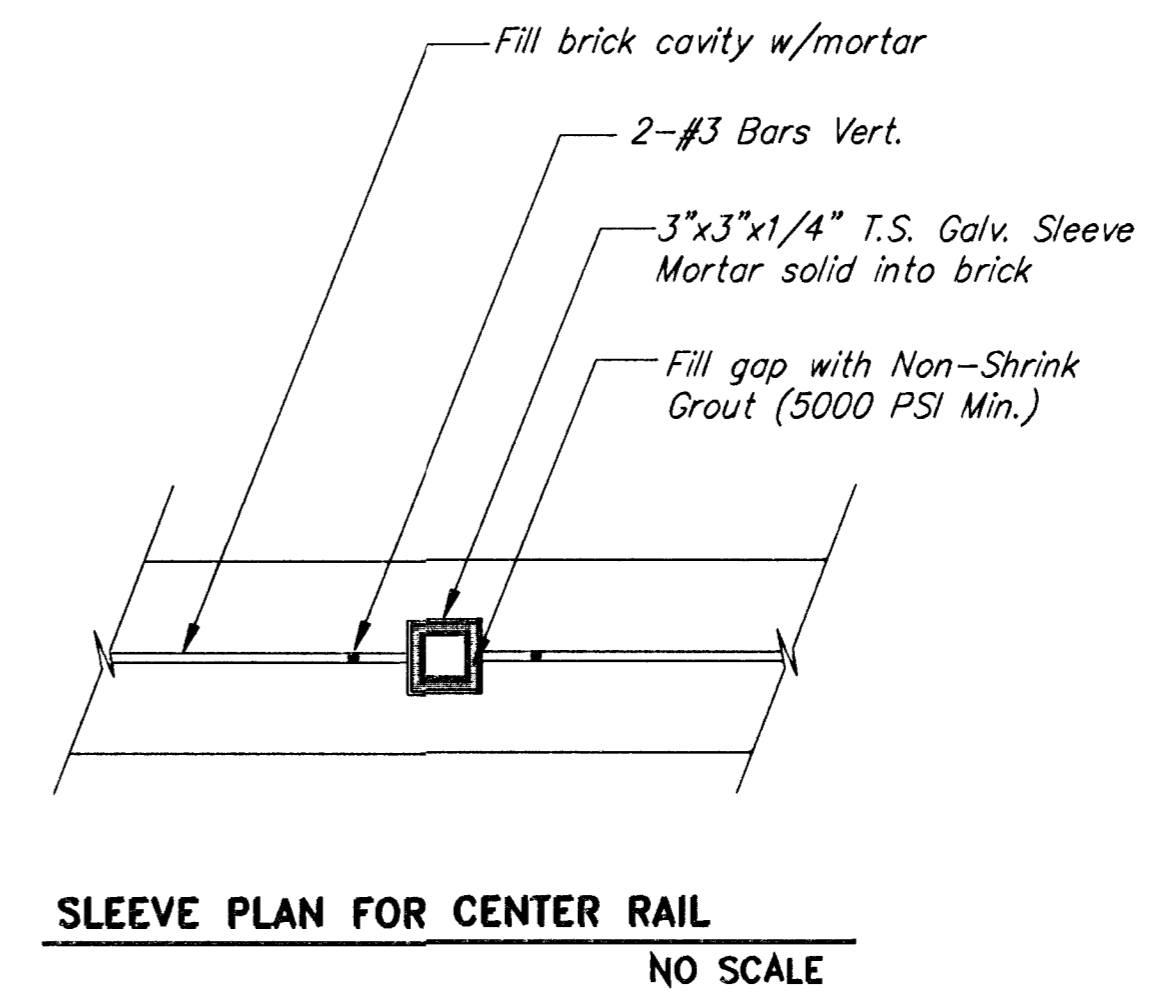
**COLUMN BLOCK PLAN**  
NO SCALE



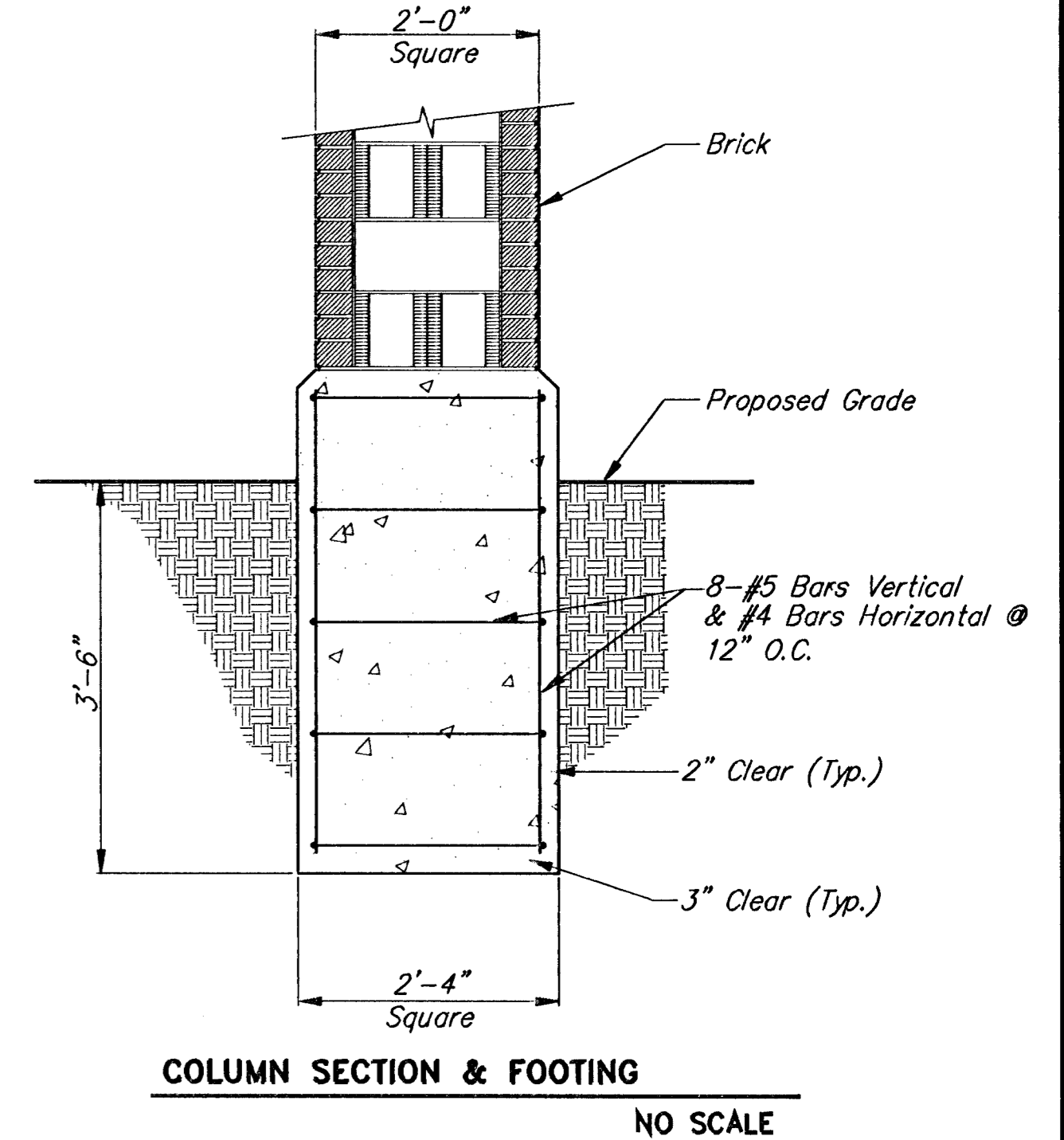
**PLAN & SECTION CONCRETE CAP @ PIER**  
NO SCALE



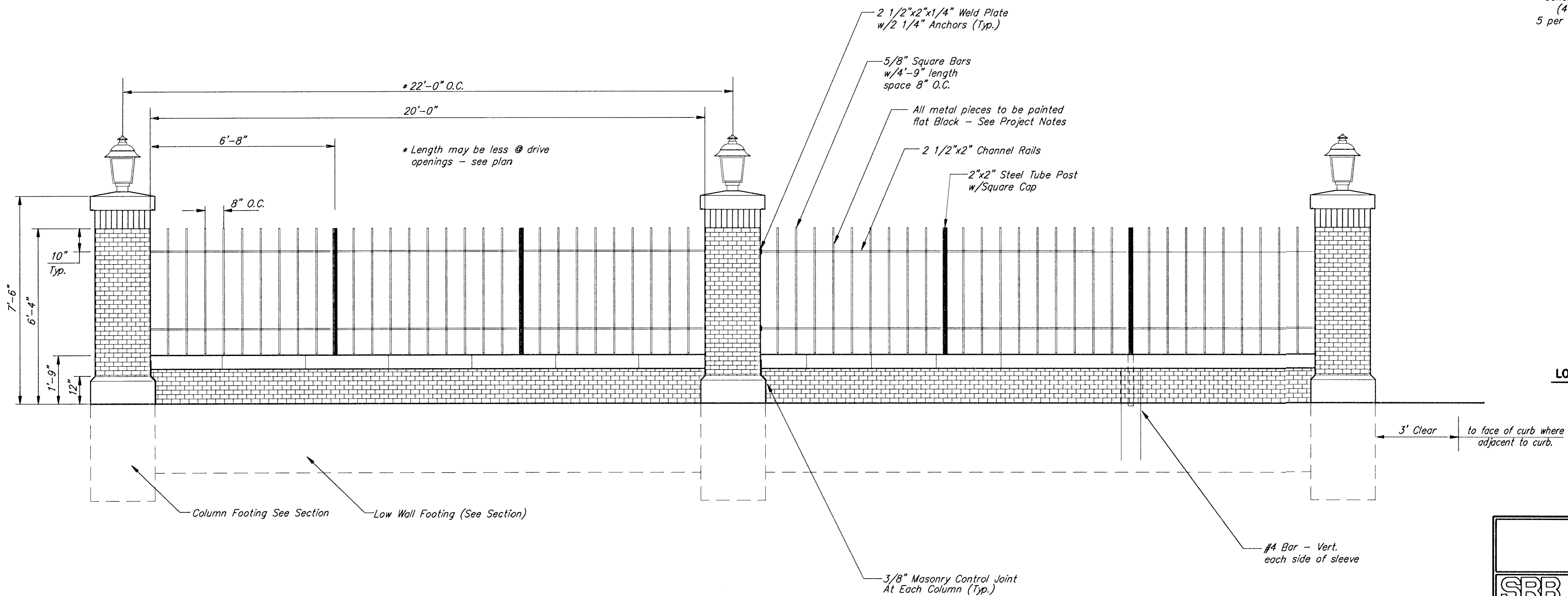
**CONCRETE CAP @ PIER**  
NO SCALE



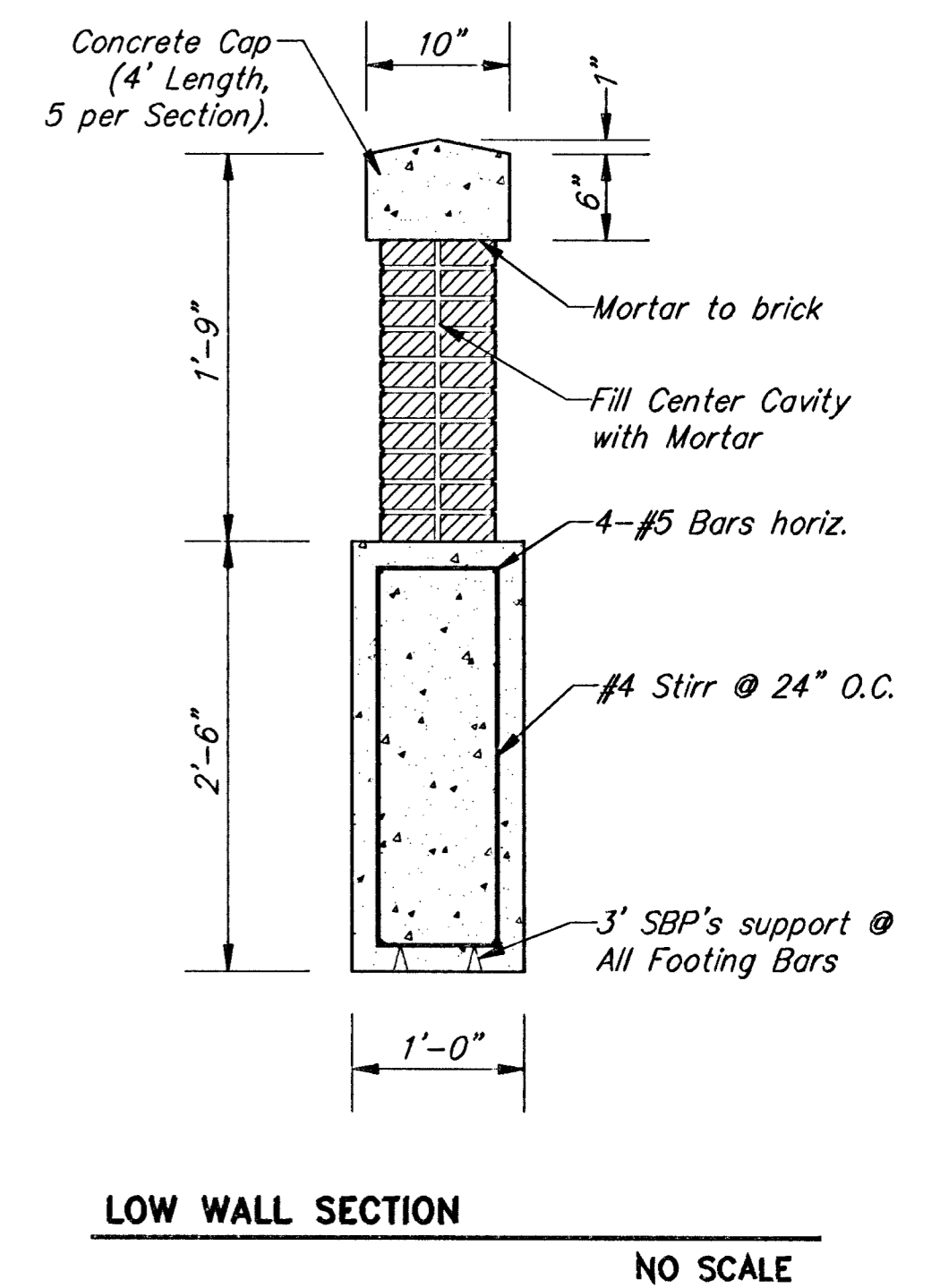
**SLEEVE PLAN FOR CENTER RAIL**  
NO SCALE



**COLUMN SECTION & FOOTING**  
NO SCALE



**MAJOR SCREEN WALL ELEVATION**



**LOW WALL SECTION**  
NO SCALE

NOTE: Contractor to see irrigation plans for location of PVC sleeves through concrete footing.

<b>SCREEN WALL DETAILS</b> OLD TOWN PARKING LOT				
<b>SRB</b>	841 SOUTH HILLSIDE WICHITA, KANSAS 67211		316-652-7754 FAX 652-7932	
	SAVOY, RUGGLES & BOHM, P.A. ENGINEERING & SURVEYING			
PROJECT NUMBER				
DRAWN T. Brooks	DESIGN T. Ruggles	REVIEW	DATE 2-18-94	UTILITY SRB JOB 101E
				REVISED 4 14