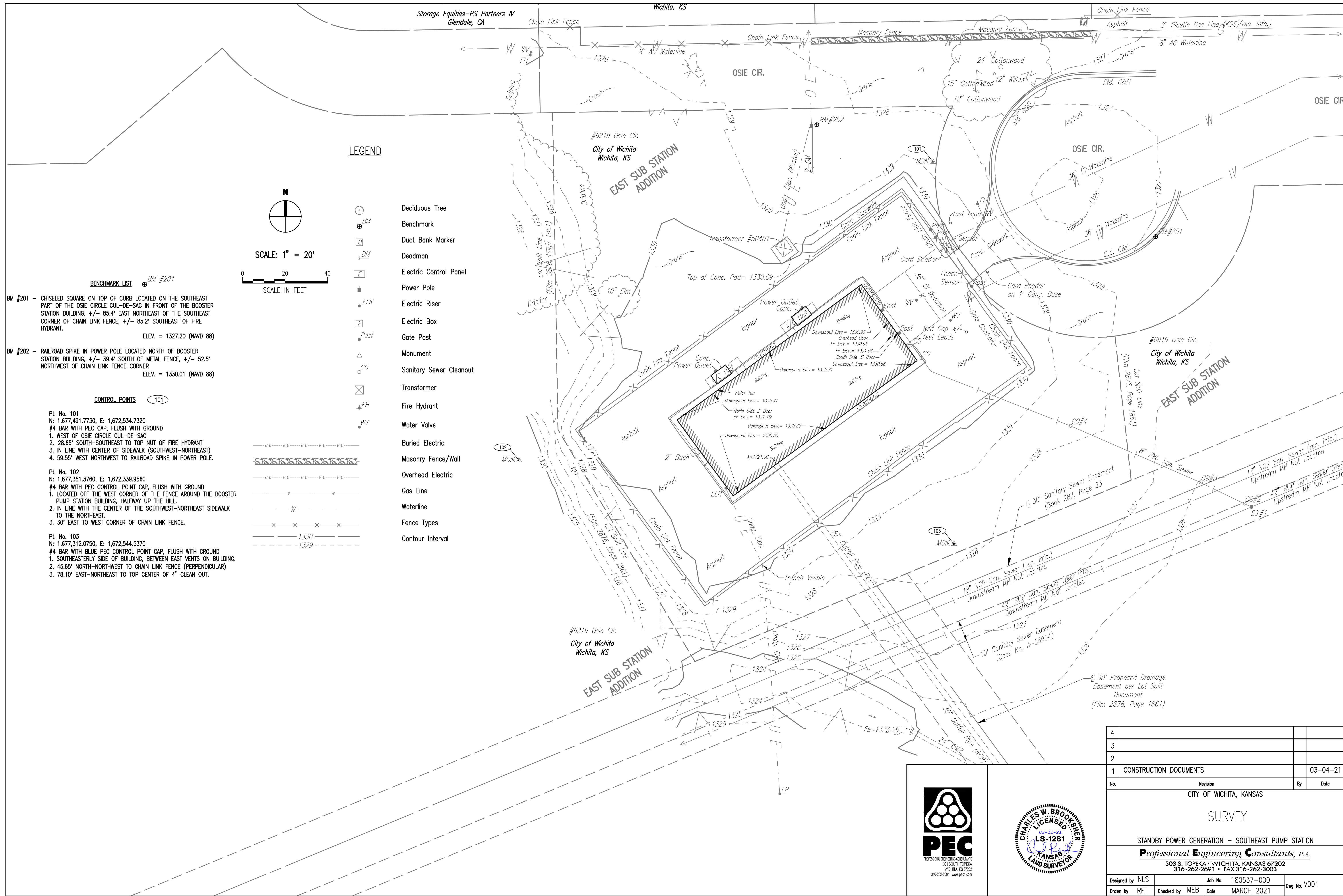


Saved 03-04-2021 3:57:10 PM by ROY THOMAS
 Plot Scale 1:5,379 03-08-2021 11:39:50 AM by ROY THOMAS
 U:\Wichita-Facil\2018\180537\000\Mun\Drawings\Plans\180537-000-V-001



LEGEND

Deciduous Tree
 Benchmark
 Duct Bank Marker
 Deadman
 Electric Control Panel
 Power Pole
 Electric Riser
 Electric Box
 Gate Post
 Monument
 Sanitary Sewer Cleanout
 Transformer
 Fire Hydrant
 Water Valve
 Buried Electric
 Masonry Fence/Wall
 Overhead Electric
 Gas Line
 Waterline
 Fence Types
 Contour Interval

BENCHMARK LIST

BM #201 - CHISELED SQUARE ON TOP OF CURB LOCATED ON THE SOUTHEAST PART OF THE OSIE CIRCLE CUL-DE-SAC IN FRONT OF THE BOOSTER STATION BUILDING. +/- 85.4' EAST NORTHEAST OF THE SOUTHEAST CORNER OF CHAIN LINK FENCE, +/- 85.2' SOUTHEAST OF FIRE HYDRANT.
 ELEV. = 1327.20 (NAVD 88)

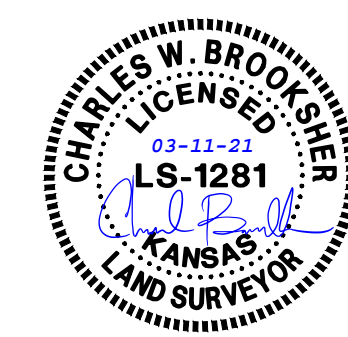
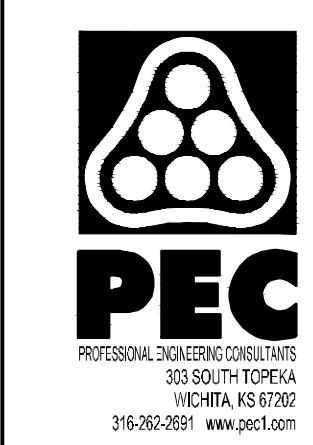
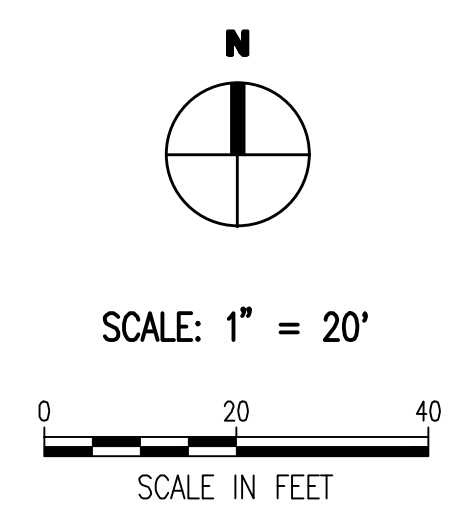
BM #202 - RAILROAD SPIKE IN POWER POLE LOCATED NORTH OF BOOSTER STATION BUILDING, +/- 39.4' SOUTH OF METAL FENCE, +/- 52.5' NORTHWEST OF CHAIN LINK FENCE CORNER
 ELEV. = 1330.01 (NAVD 88)

CONTROL POINTS

Pt. No. 101
 N: 1,677,491.7730, E: 1,672,534.7320
 #4 BAR WITH PEC CAP, FLUSH WITH GROUND
 1. WEST OF OSIE CIRCLE CUL-DE-SAC
 2. 28.65° SOUTH-SOUTHEAST TO TOP NUT OF FIRE HYDRANT
 3. IN LINE WITH CENTER OF SIDEWALK (SOUTHWEST-NORTHEAST)
 4. 59.55° WEST NORTHWEST TO RAILROAD SPIKE IN POWER POLE.

Pt. No. 102
 N: 1,677,351.3760, E: 1,672,339.9560
 #4 BAR WITH PEC CONTROL POINT CAP, FLUSH WITH GROUND
 1. LOCATED OFF THE WEST CORNER OF THE FENCE AROUND THE BOOSTER PUMP STATION BUILDING, HALFWAY UP THE HILL.
 2. IN LINE WITH THE CENTER OF THE SOUTHWEST-NORTHEAST SIDEWALK TO THE NORTHEAST.
 3. 30' EAST TO WEST CORNER OF CHAIN LINK FENCE.

Pt. No. 103
 N: 1,677,312.0750, E: 1,672,544.5370
 #4 BAR WITH BLUE PEC CONTROL POINT CAP, FLUSH WITH GROUND
 1. SOUTHEASTERLY SIDE OF BUILDING, BETWEEN EAST VENTS ON BUILDING.
 2. 45.65° NORTH-NORTHWEST TO CHAIN LINK FENCE (PERPENDICULAR)
 3. 78.10° EAST-NORTHEAST TO TOP CENTER OF 4" CLEAN OUT.



4			
3			
2			
1	CONSTRUCTION DOCUMENTS		03-04-21
No.	Revision	By	Date
CITY OF WICHITA, KANSAS			
SURVEY			
STANDBY POWER GENERATION - SOUTHEAST PUMP STATION			
Professional Engineering Consultants, P.A. 303 S. TOPEKA • WICHITA, KANSAS 67202 316-262-2691 • FAX 316-262-3003			
Designed by	NLS	Job No.	180537-000
Drawn by	RFT	Checked by	MEB
Date	MARCH 2021	Dwg No.	V001