

ELECTRICAL SITE PLAN NOTES:

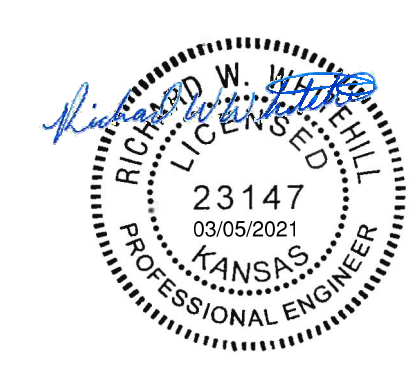
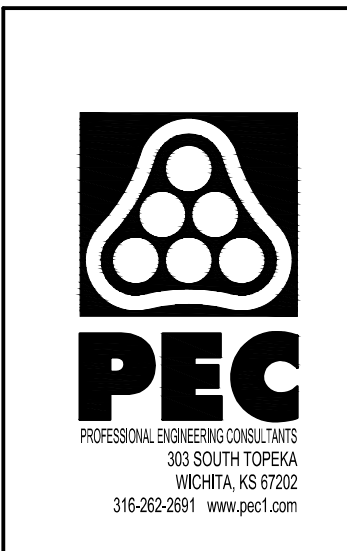
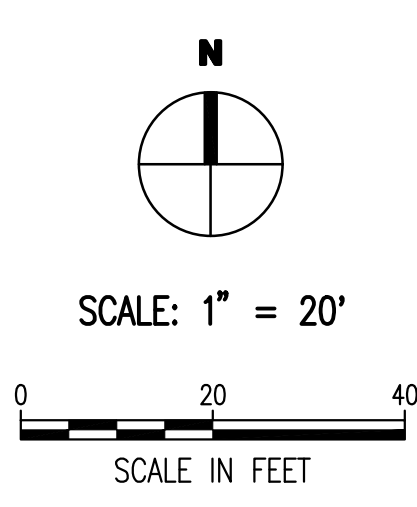
- UNLESS OTHERWISE NOTED, ALL CONDUIT ROUTED ON SITE SHALL BE 1" MINIMUM.
- ALL RISERS SHALL BE PVC COATED RIGID GALVANIZED STEEL (RGS) ALL ELLS BELOW GRADE SHALL BE PVC COATED RIGID GALVANIZED STEEL (RGS). PROVIDE WITH PVC TO STEEL ADAPTER(S) AS NECESSARY. (THIS REQUIREMENT SHALL NOT APPLY TO FIXTURE POLE BASES)
- ALL ELECTRICAL WORK AND FEES ASSOCIATED WITH UTILITIES SHALL BE VERIFIED AND COORDINATED WITH LOCAL SERVICE PROVIDER PRIOR TO BID.
- CONTRACTOR SHALL REFERENCE ALL RELATED CONTRACT DOCUMENTS, SITE SURVEY, AND OTHER RESOURCES FOR POSSIBLE CONFLICTS WITH OTHER UNDERGROUND UTILITIES. AT UTILITY CROSSINGS, CONTRACTOR SHALL VERIFY UTILITY DEPTHS AND COORDINATE CONDUIT ROUTING AS NECESSARY.
- CONTRACTOR SHALL VERIFY AND COORDINATE EXISTING CONDITIONS OF PROJECT SITE PRIOR TO BID.

KEYED NOTES:

- FLUSH MOUNTED PG SERIES QUAZITE BOX (24"x36" MIN.) WITH GASKETED BOLTED COVER. DEPTH AS NEEDED TO INTERCEPT AND EXTEND (3) 6" CONDUITS, (1) 2" CONDUIT FROM EXISTING DUCT BANK AND (3) ADDITIONAL 1" CONDUITS FOR CONTROLS. BOX TO HAVE MOUSE HOLES AND SIT ON 3" BED OF CRUSHED GRAVEL AND BE FILLED WITH AN ADDITIONAL 6" TO ALLOW FOR DRAINAGE.
- PAD MOUNTED GENERATOR, REFERENCE DETAIL-2/E501 AND 1/E611. GENERATOR ENCLOSURES TO HAVE LATCHING SYSTEM ON ALL ENCLOSURE DOORS TO BE USED DURING MAINTENANCE.
- CONNECT TO EXISTING EXTERIOR LIGHTING CIRCUIT AND CONTROLS. EXTEND CONDUIT AND WIRING AS REQUIRED. UPDATE PANEL DIRECTORY AS REQUIRED.



A ELECTRICAL SITE PLAN - SOUTHEAST



4			
3			
2			
1	CONSTRUCTION DOCUMENTS		03-04-21
No.	Revision	By	Date
CITY OF WICHITA, KANSAS			
ELECTRICAL SITE PLAN			
STANDBY POWER GENERATION - SOUTHEAST PUMP STATION			
Professional Engineering Consultants, P.A. 303 S. TOPEKA • WICHITA, KANSAS 67202 316-262-2691 • FAX 316-262-3003			
Designed by	DCG	Job No.	180537-000
Drawn by	JAR	Checked by	DCG
Date	MARCH 2021	Dwg No.	E110

Saved: 03-04-2021 11:19:50 AM by JOSE RAMOS
 Plot Scale: 1:5.379008 03-04-2021 11:58:18 AM by JOSE RAMOS
 U:\Wichita-Facil\2018\180537\000\Elec\Drawings\180537 - E110