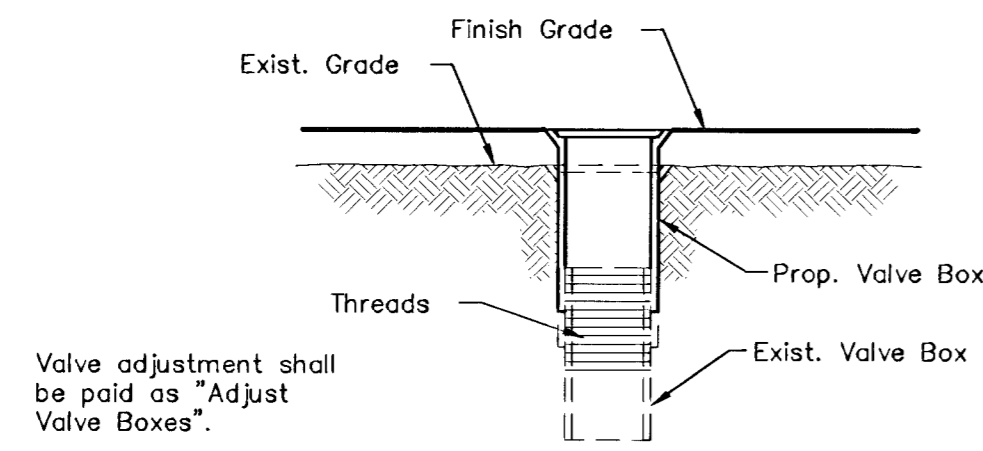
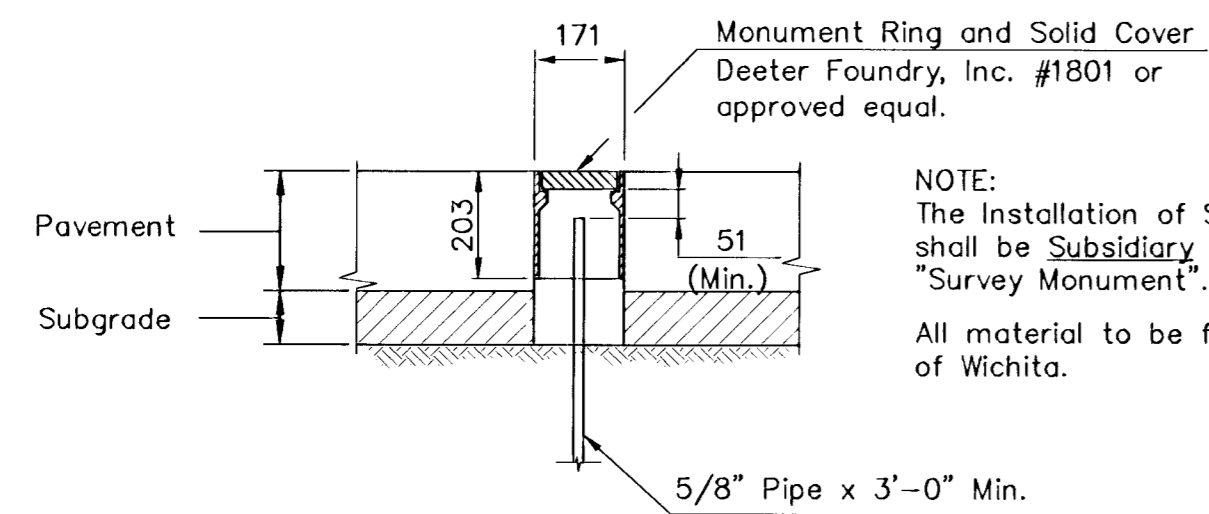


FHWA REGION NO.	STATE	PROJECT NO.	YEAR	SHEET NO.	TOTAL SHEETS
7	KANSAS	87N-0196-01	2001	18	55



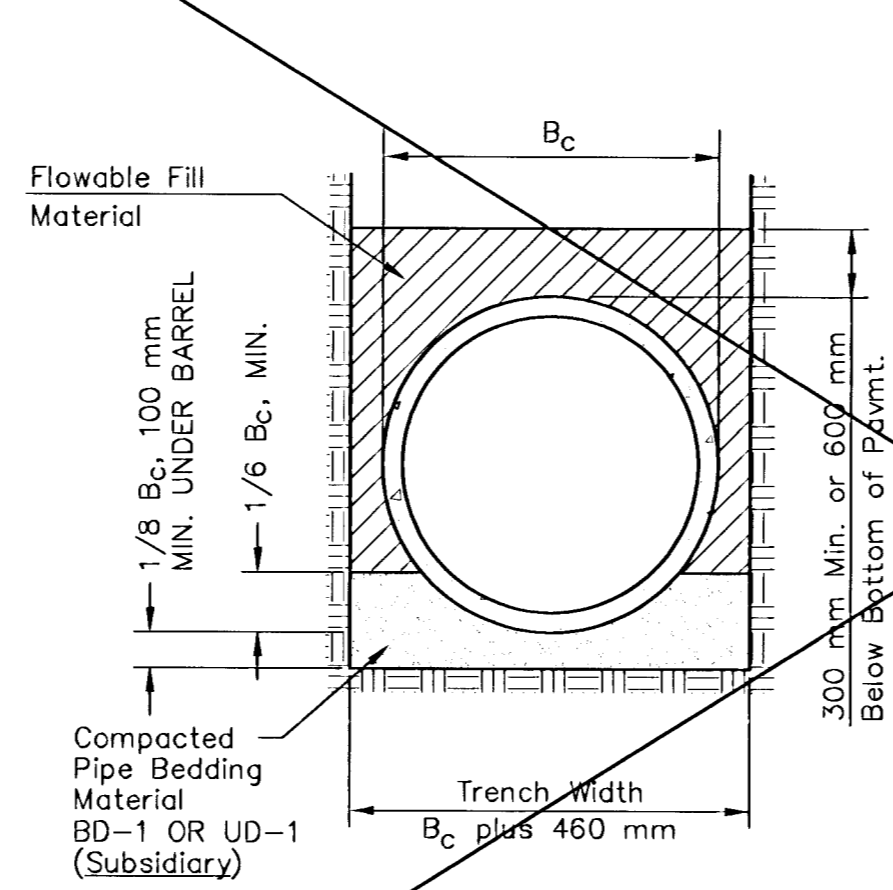
**VALVE BOX ADJUSTMENT DETAIL**

(KGS will supply materials as required for all Gas Valve Box Adjustments.)

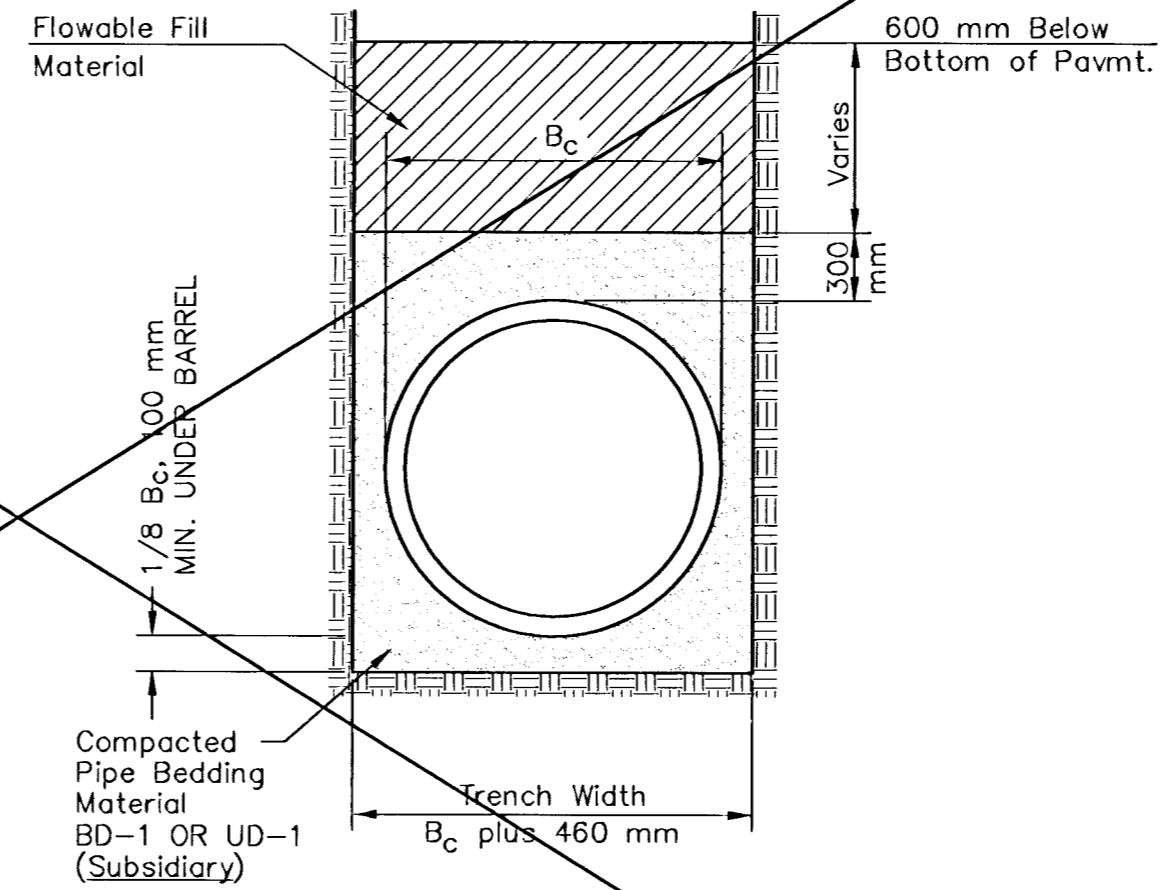


**SURVEY MONUMENT DETAIL**

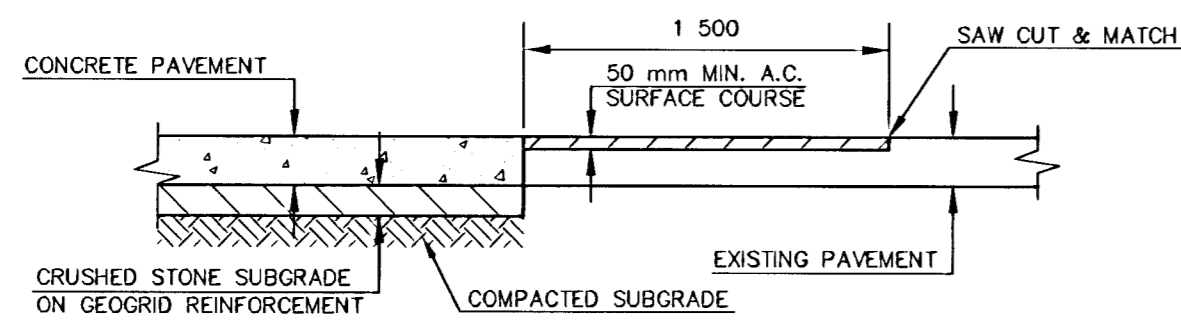
NOTE:  
The installation of Survey Monument shall be *Subsidiary* to the bid item "Survey Monument".  
All material to be furnished by the City of Wichita.



**FLOWABLE FILL DETAIL**  
(For Storm Sewer Pipe)

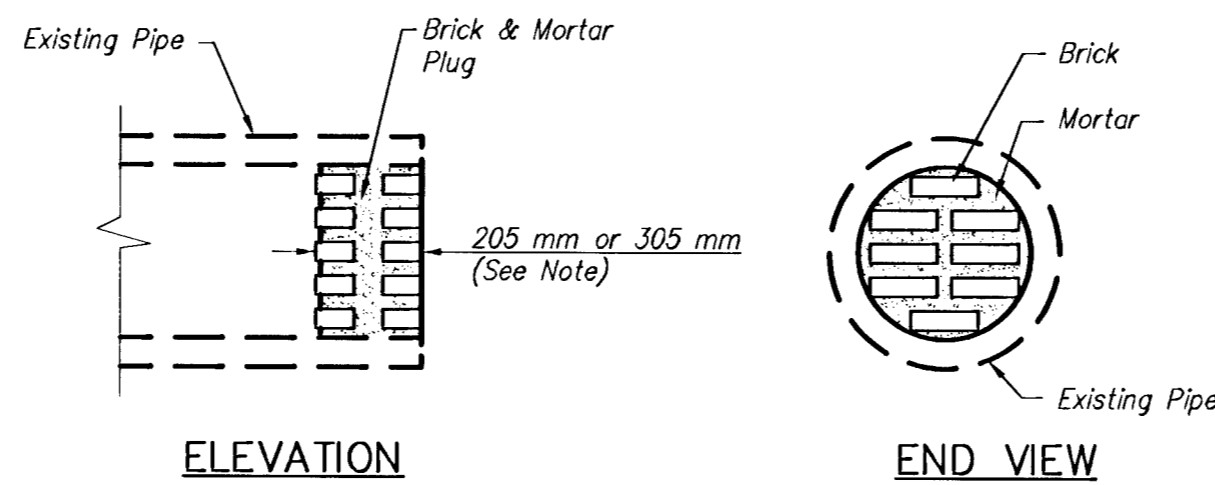


**FLOWABLE FILL DETAIL**  
(For Sanitary Sewer Pipe)



**HOOKUP DETAIL**

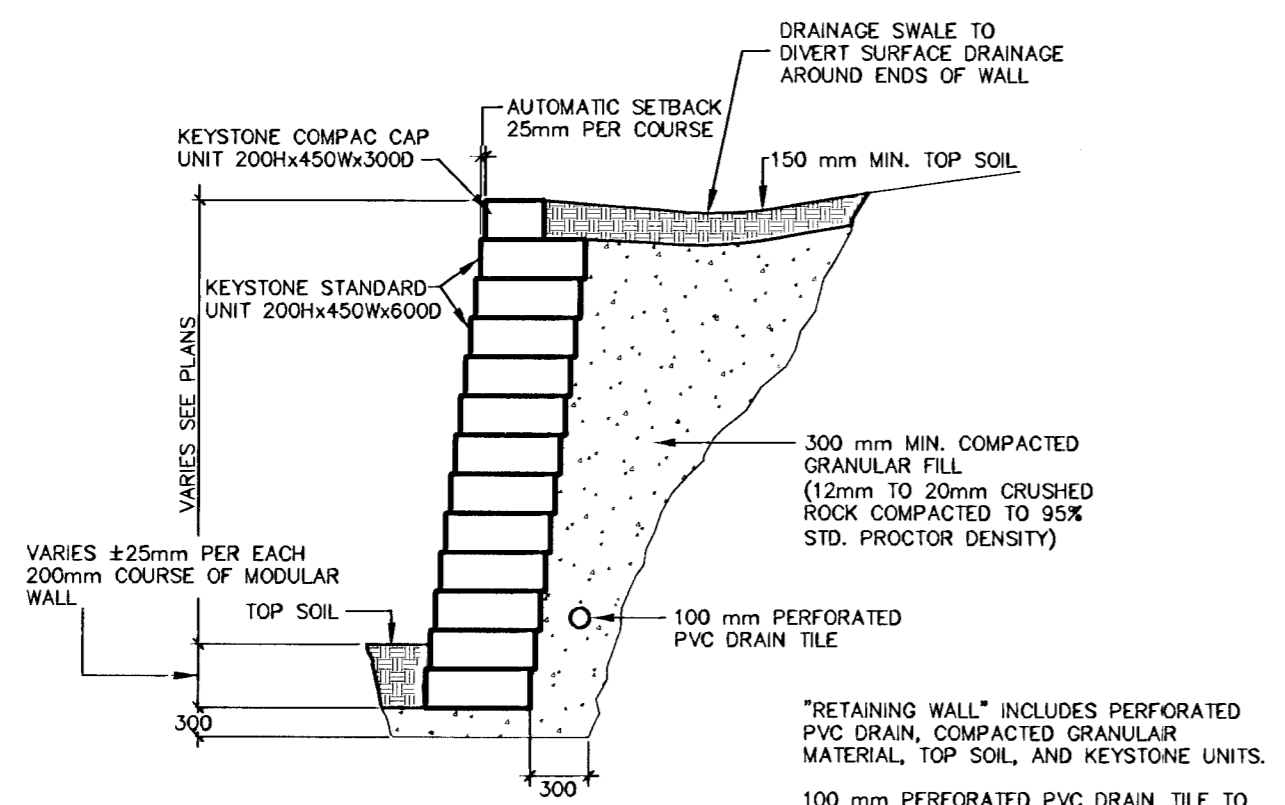
TYPICAL AT SIDE STREETS WITH EXISTING A.C. PAVEMENT (CENTRAL AND DUBLIN). COST *SUBSIDIARY* TO PROJECT.



**PIPE PLUGGING DETAIL**

NOTE:  
Pipe plugs shall be constructed of brick masonry, with construction requirements and materials conforming to the same requirements as specified for a masonry construction in the Std. Specs. Pipes having diameters of 450 mm or smaller shall be plugged with 205 mm thick plug. Pipes having diameters larger than 450 mm shall be plugged with 305 mm thick plug. The construction of pipe plugs shall not be paid for directly, but shall be considered *Subsidiary* to Pipe Installation.

The contractor may use other methods to plug existing pipe if approved by the project engineer.



**MODULAR CONC. RETAINING WALL**

"RETAINING WALL" INCLUDES PERFORATED PVC DRAIN, COMPACTED GRANULAR MATERIAL, TOP SOIL, AND KEYSTONE UNITS. 100 mm PERFORATED PVC DRAIN TILE TO DISCHARGE AT THE NORTH AND SOUTH ENDS OF THE RETAINING WALL.

KANSAS DEPARTMENT OF TRANSPORTATION  
**CENTRAL & ROCK INTERSECTION**  
**SPECIAL DETAILS**  
 PROJECT NO. 87N-0190-01 SEDGWICK COUNTY  
**MKEC ENGINEERING CONSULTANTS, INC.**  
 WICHITA, KANSAS

DESIGNED BY:	CHECKED BY:
DRAWN BY:	DATE: APR. 2001 SHEET 18 OF 55