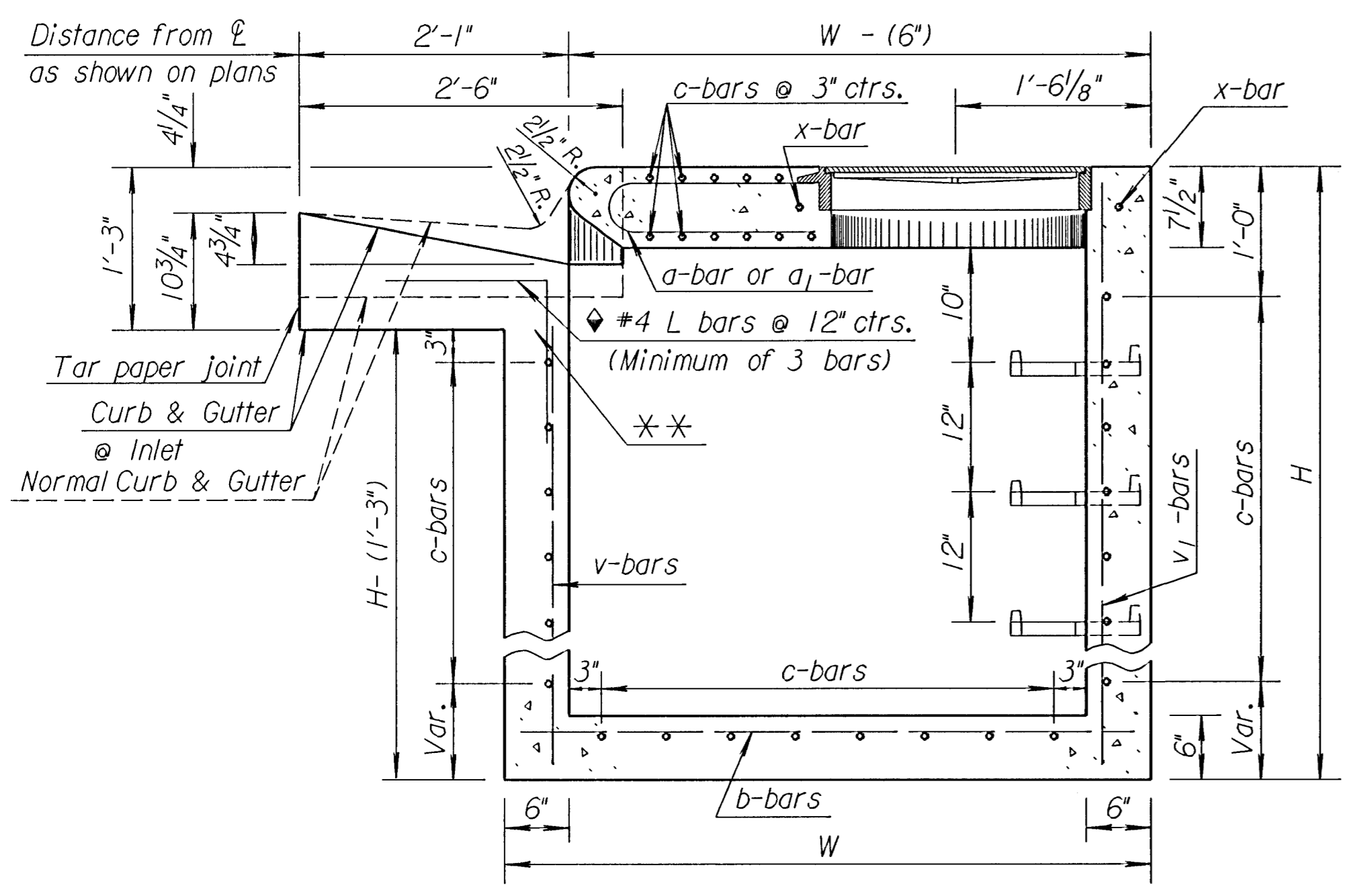
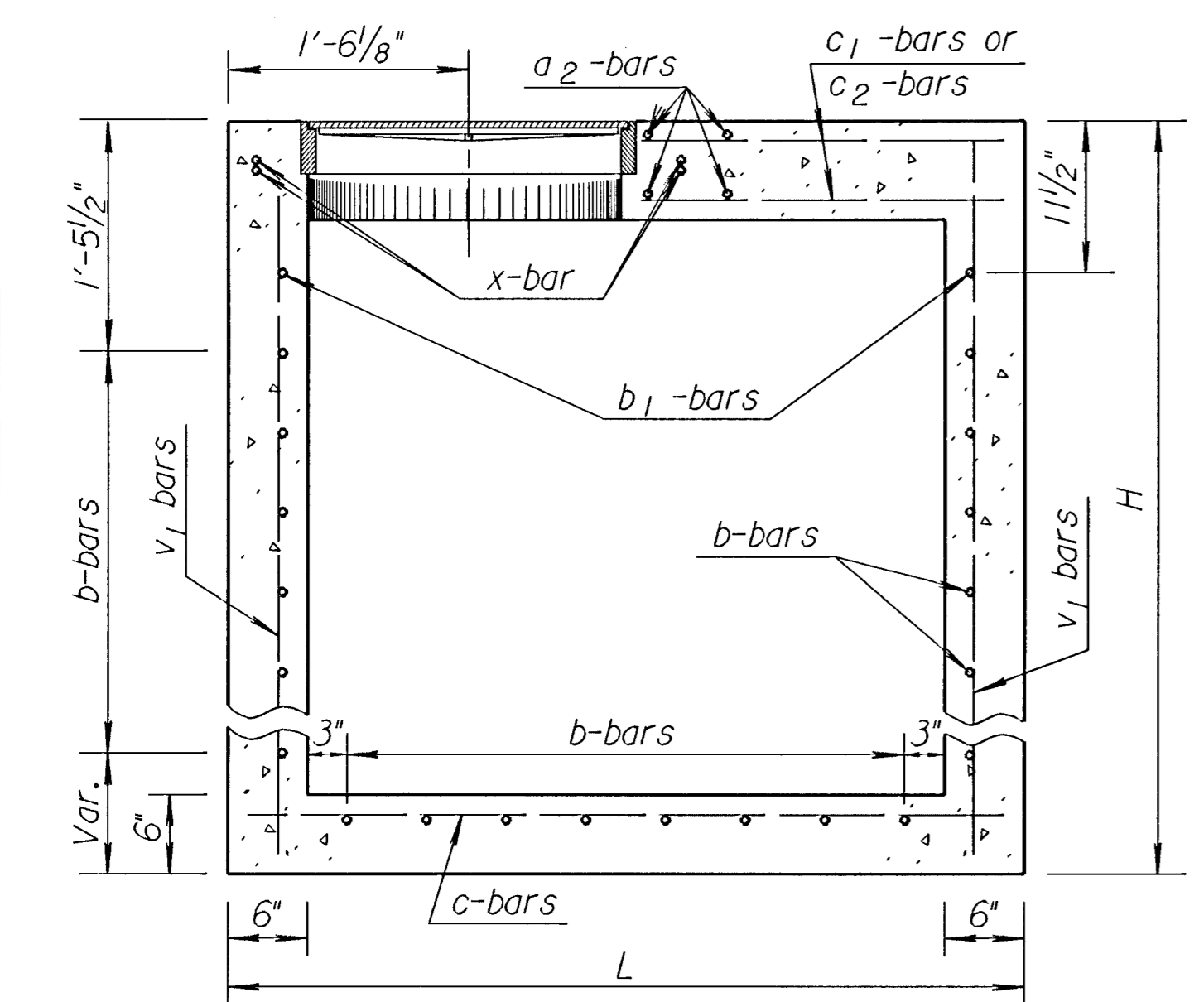


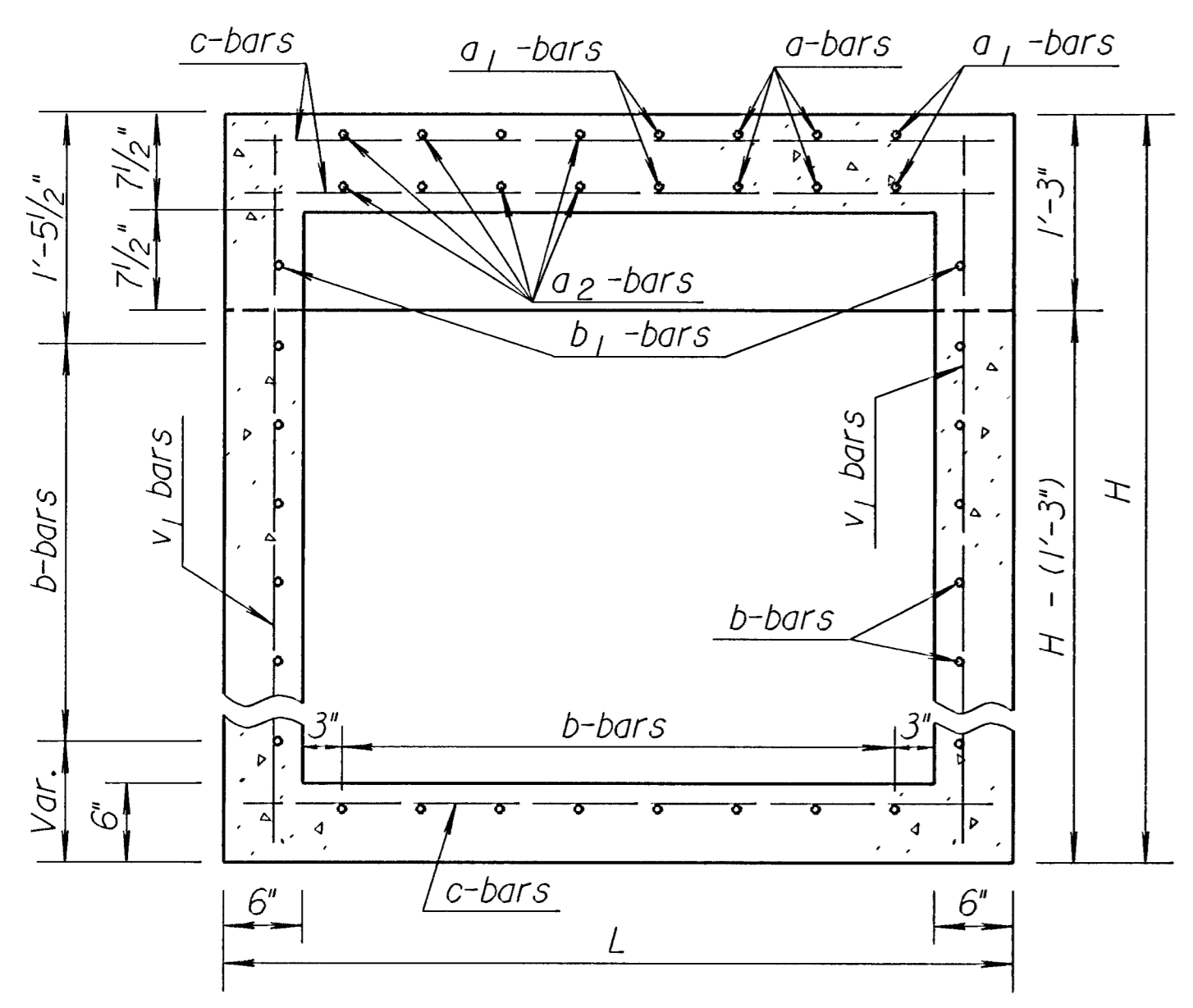
FHWA REGION NO.	STATE	PROJECT NO.	YEAR	SHEET NO.	TOTAL SHEETS
7	KANSAS	618-34	1998	54	100



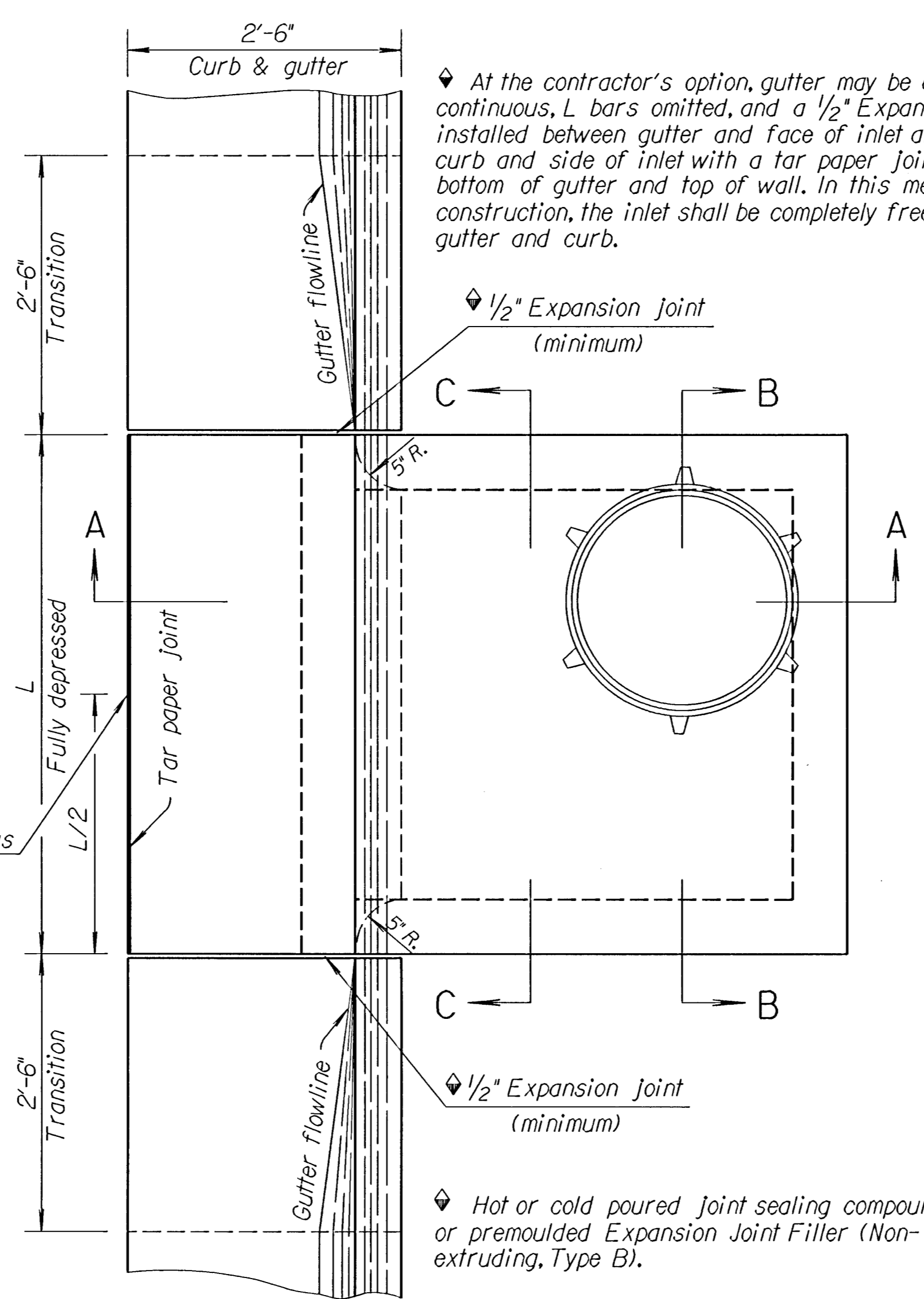
SECTION A-A



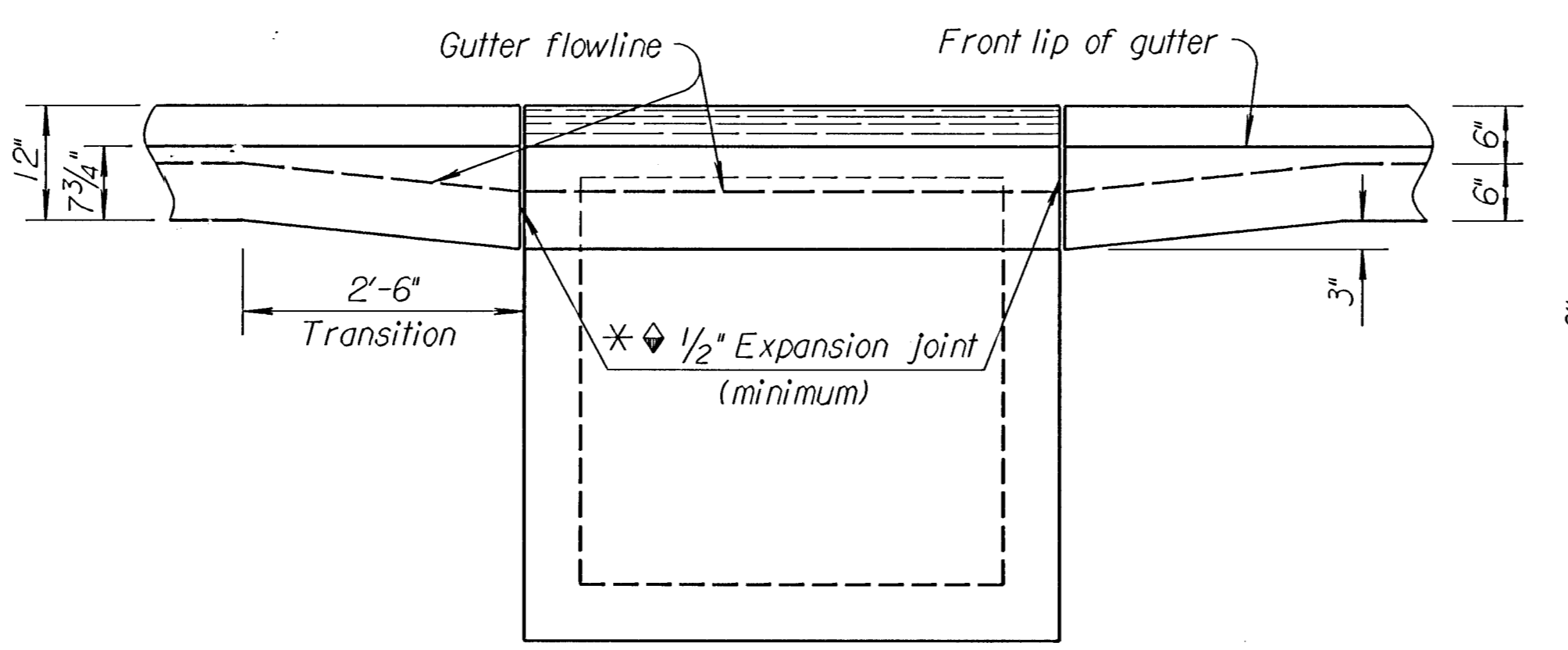
SECTION B-B



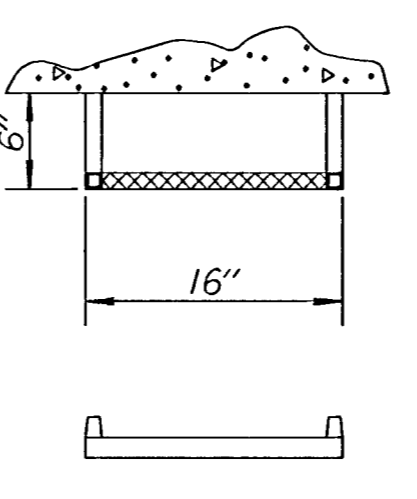
SECTION C-C



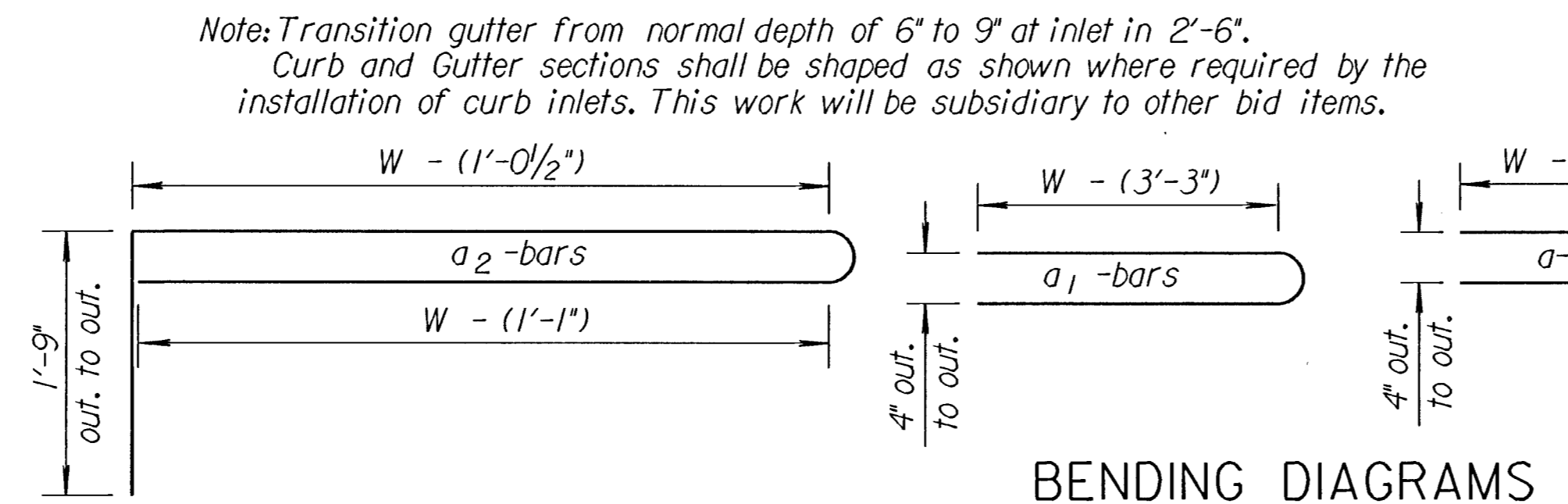
PLAN



ELEVATION



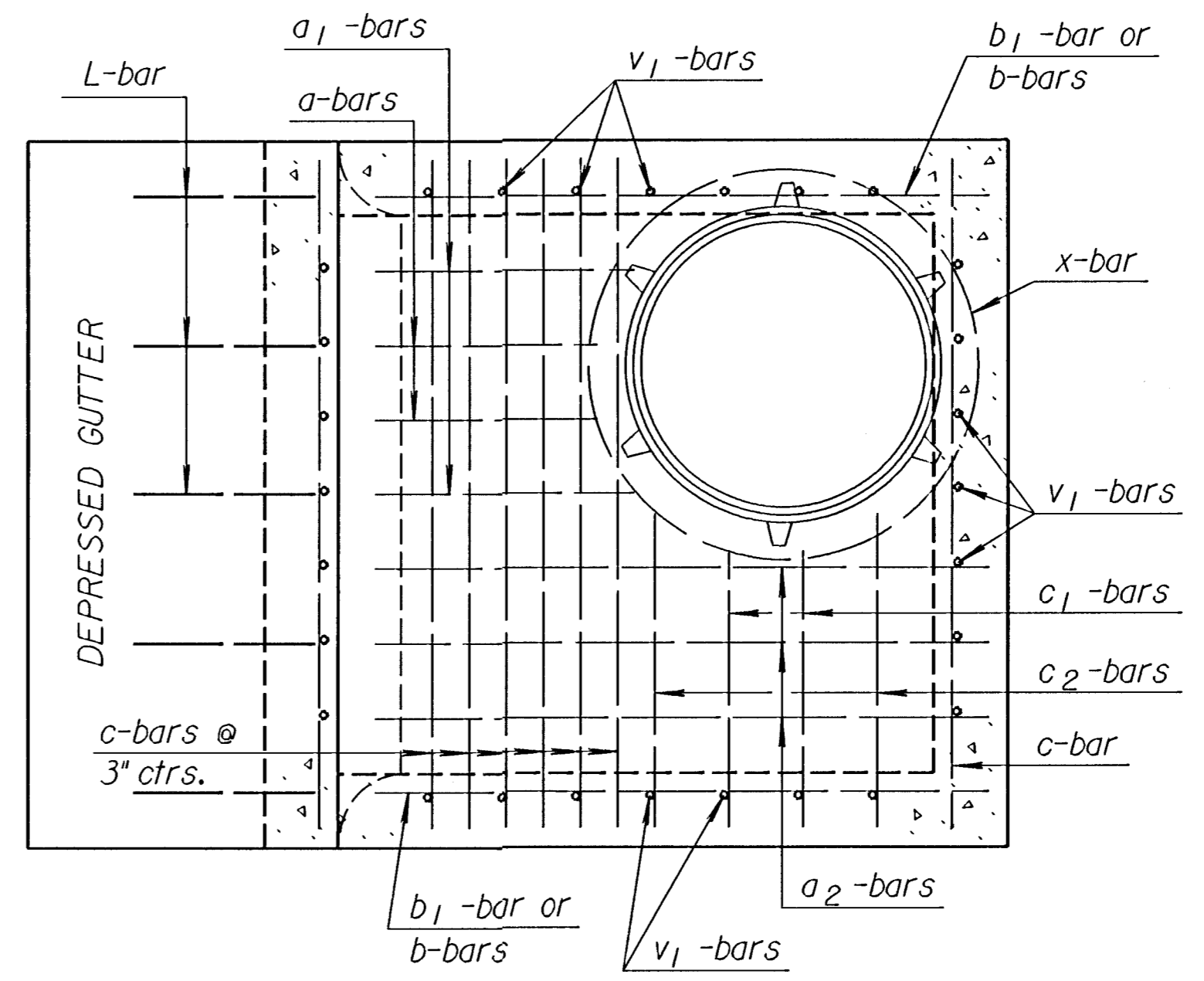
STEP DETAILS



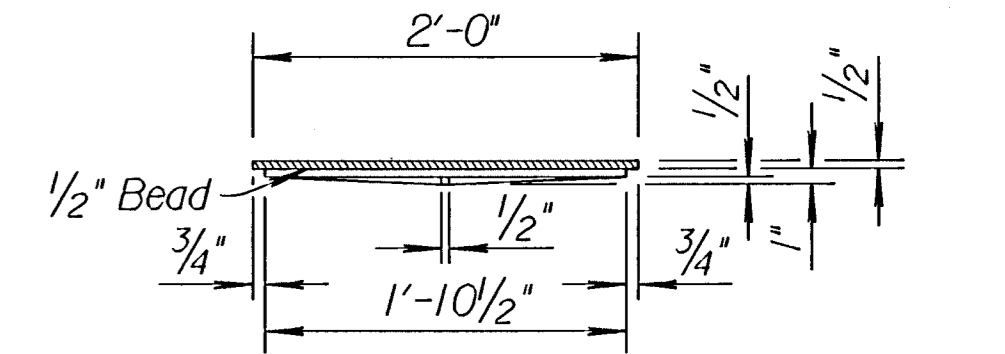
BENDING DIAGRAMS

GENERAL NOTES

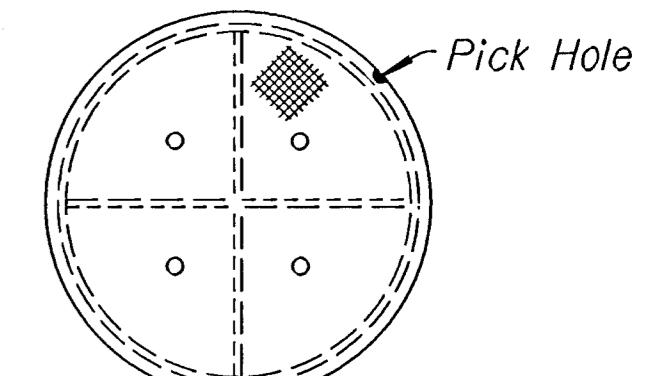
Use Class A Concrete throughout. All exposed edges shall be finished with an edging tool. At the contractor's option Class A Concrete (AE) or mix used in concrete pavement may be used throughout. In general, pipes will enter and leave manhole at various positions. Where possible bend bars around pipes. Floor of manhole to be shaped as shown in various "EXAMPLES" with unreinforced Class "A" Concrete. Manhole opening and steps, where used, shall be placed to afford easy access to top of shaped invert. Top reinforcing bars to be adjusted accordingly. All castings shall be gray iron and shall comply with the KDOT Standard Specifications. When so ordered by the Engineer, the top of the manhole shall be sloped slightly to approximately fit the ground line or other conditions. Dimensions and weights of cast iron as shown on this sheet are minimum. Larger dimensions and/or heavier weights of cast iron may be used. Steps shall be installed in all storm sewer inlets when specified in the plans or when "H" is equal to or greater than six feet. Steps shall comply with the KDOT Standard Specification. No reduction in concrete quantities shall be made for pipe openings. When directed by the Engineer, a small opening in the back of the inlet shall be provided in order to drain a low area. Reinforcing bars shall extend through the opening. No reduction in concrete quantities will be made for this opening. No addition in concrete quantities shall be made for shaping floor of inlet. No reduction in pay length of curb, gutter, or curb & gutter will be made through the inlet area. The weight of castings includes no allowance for fillets and overruns. Curb and Gutter sections shall be shaped as shown where required by the installation of curb inlets. This work shall be subsidiary to other bid items. See sheet entitled "Reinforcing Steel for Inlets and Manholes" for details and quantities. For additional notes and details on Light Type Cast Iron Manhole Cover and Ring Type C and Cast Iron Steps, see Standard RD633 "Reinforced Concrete Manhole". All reinforcing steel shall be #4 at 6" centers except where noted. Minimum clear distance to reinforcement shall be 1 1/2".



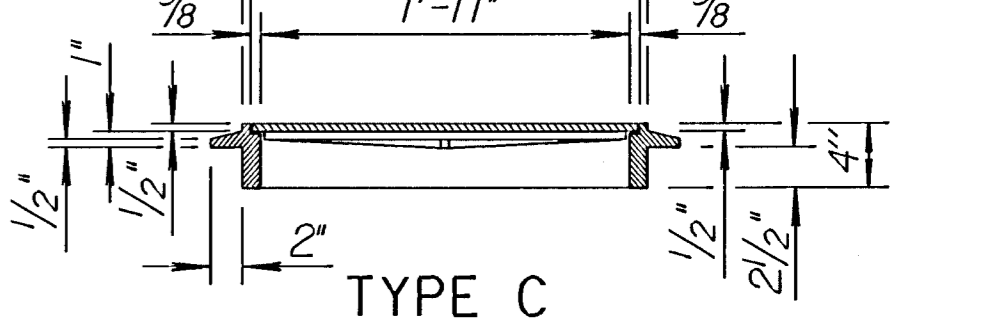
Reinforcing Steel Top View



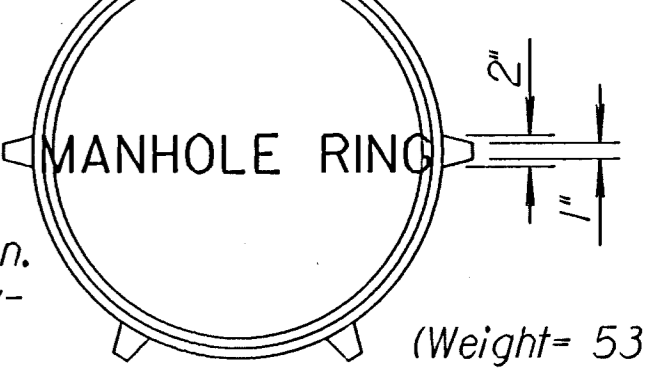
MANHOLE COVER TYPE C (Weight = 64 lbs.)



MANHOLE RING (Weight = 53 lbs.)



TYPE C



MANHOLE RING (Weight = 53 lbs.)

* LIGHT TYPE MANHOLE COVER & RING

* Rings with four equally spaced lugs will be permitted.

NOTE: All manhole castings are cast iron. Weight of castings includes no allowance for fillets and overruns.

Note: Reinforcing steel for L bars is not included in the steel quantity and is subsidiary to the other inlet items.

NO.	DATE	REVISIONS	BY	APP'D
3	12-8-94	Added misc. notes	R.J.S.	J.O.B.
2	12-27-93	Delete point note	R.J.S.	J.O.B.
1	1-30-92	Rev. point & step notes, ent. on CADD	R.J.S.	J.O.B.

KANSAS DEPARTMENT OF TRANSPORTATION			
TYPE 22 CURB INLET			
RD646			
DESIGNED	DETAIL CK.	QUANTITIES	TRACED
DESIGN CK.	DETAIL CK.	QUAN. CK.	TRACE CK.
APPROVAL	1-12-95	APP'D. James O. Brewer	
DESIGNED	DETAIL CK.	QUANTITIES	TRACED
DESIGN CK.	DETAIL CK.	QUAN. CK.	TRACE CK.

Drawn By: K001
 DSN File: 1995.95297.002/standard/r6646.dgn
 Plotted by: maf 1-24-97