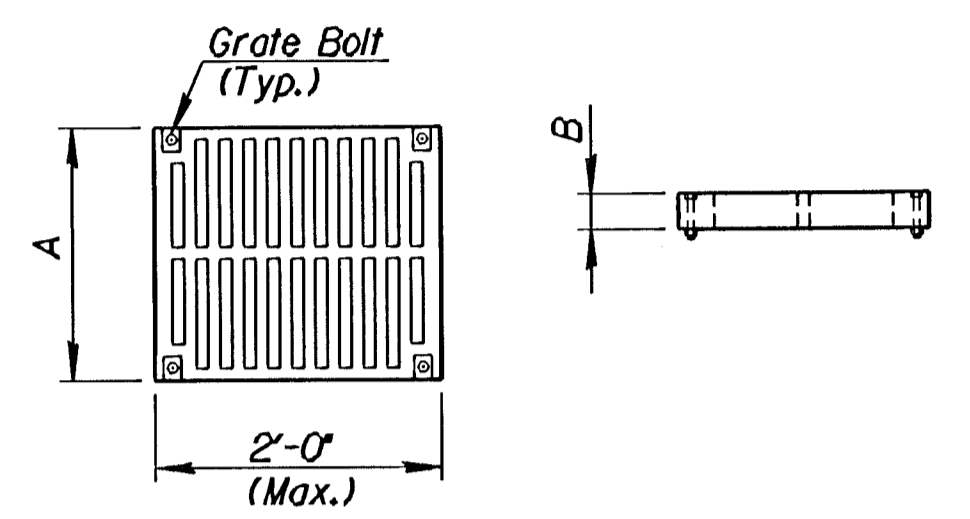
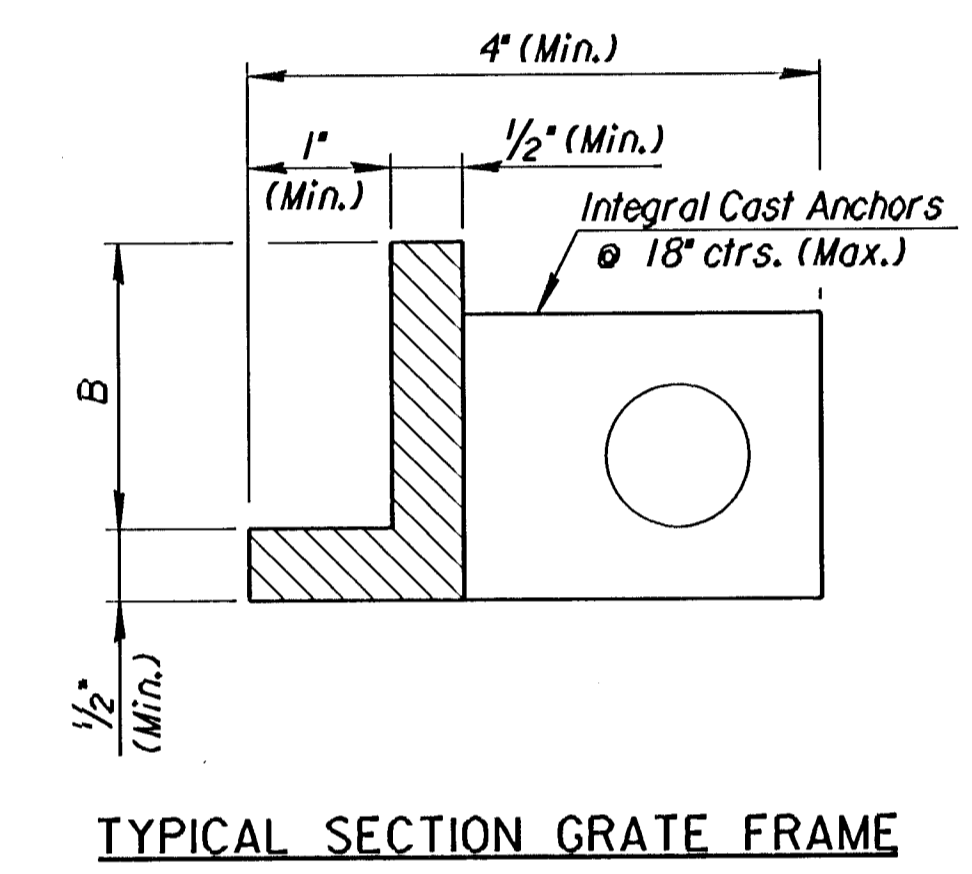


GRATE DIMENSIONS & TYPES							
Inlet Dimensions		Outfall Pipe Dia. (In.)	Approved Grates				
W (In.)	H ₀ (Min.) (In.)		Neenah Foundry Co. †		Deeter Foundry Co. †		
			Catalog No.	Grate Dim. A(In.) B(In.)	Catalog No.	Grate Dim. A(In.) B(In.)	
40	48	15	R-4990-HX	26 1 1/2	3990-H	26 1 1/2	

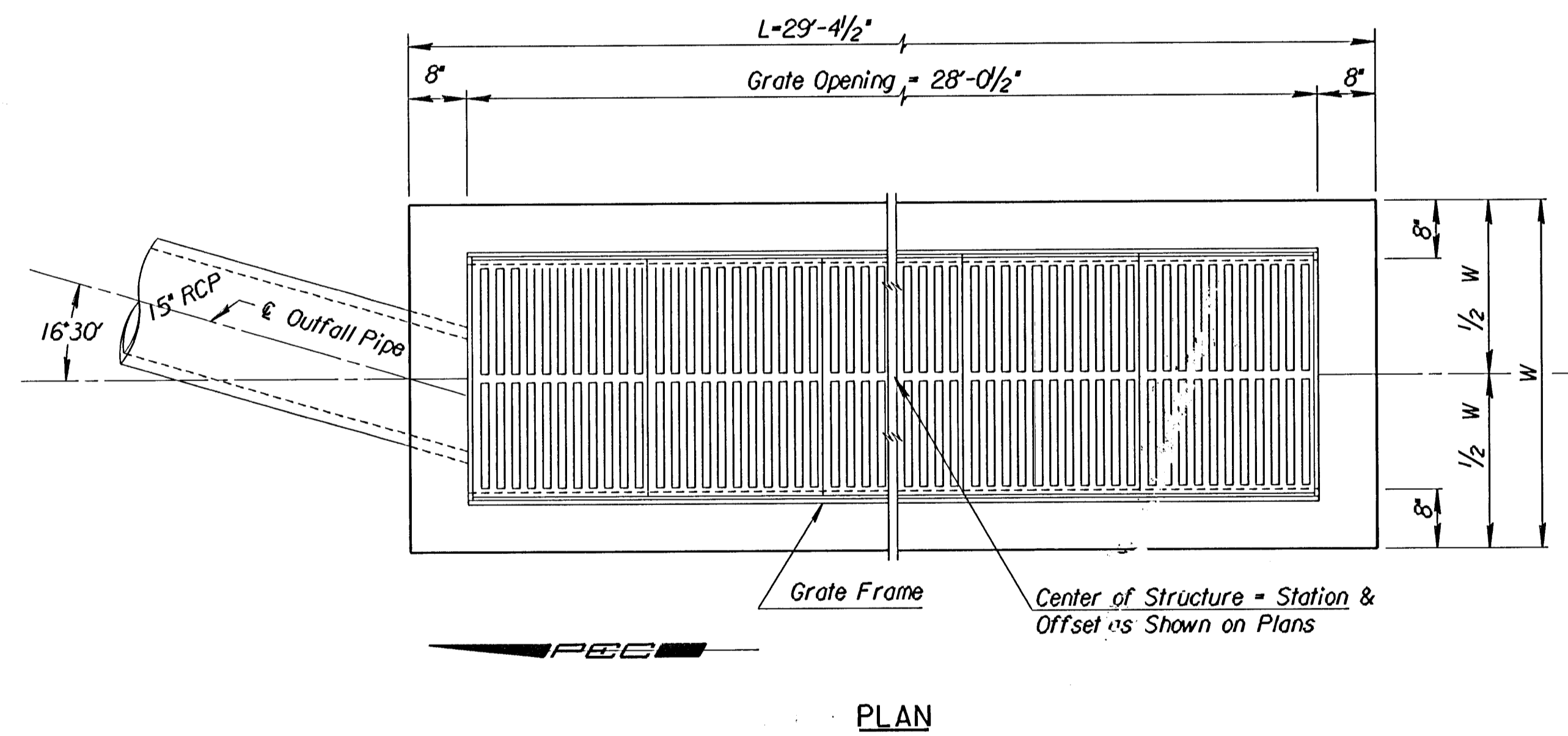
† Type A Grate



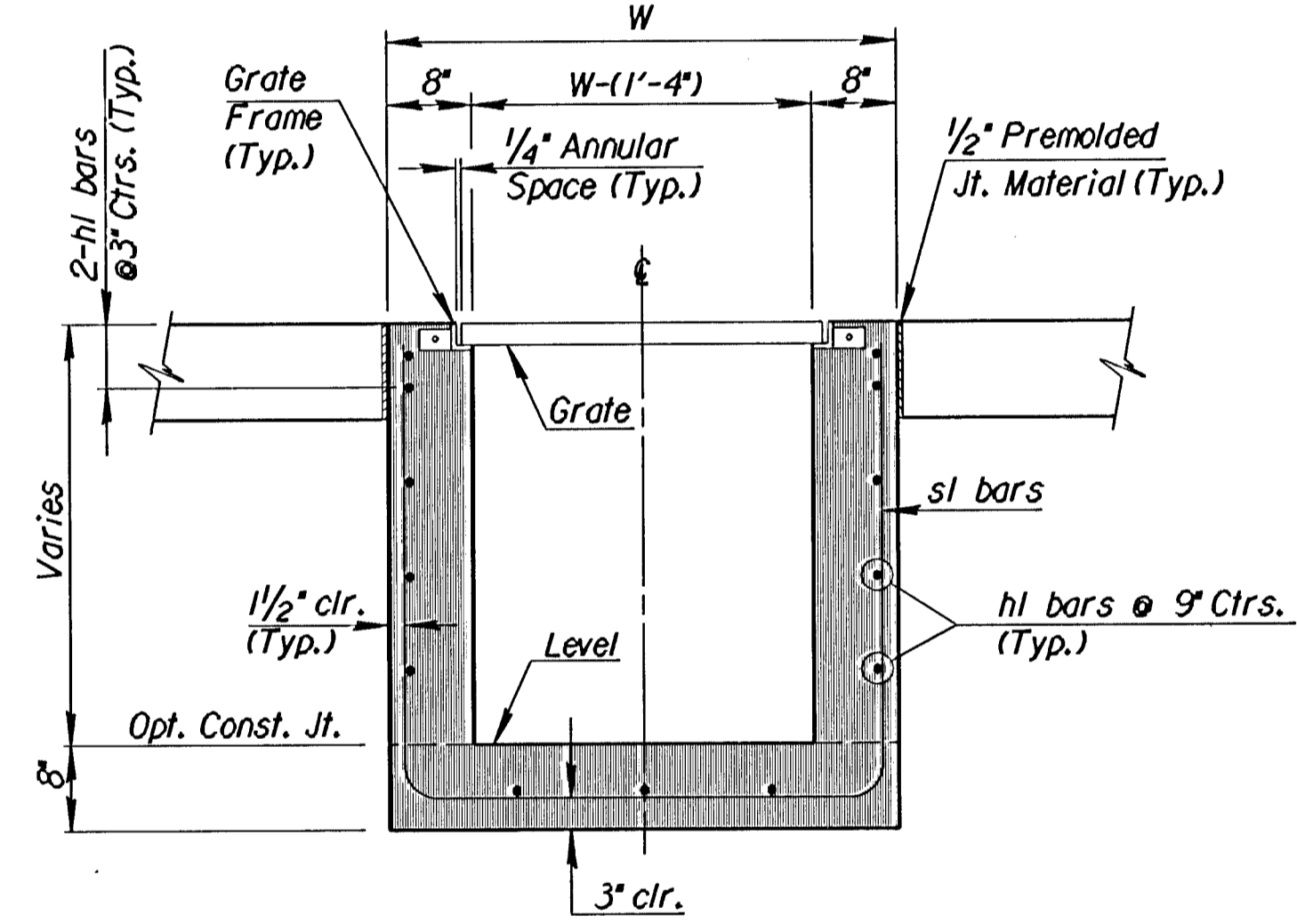
PLAN END VIEW
GRATE DETAIL



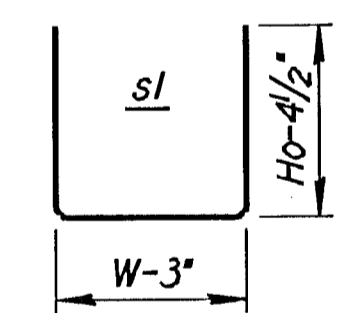
TYPICAL SECTION GRATE FRAME



PLAN



TYPICAL TRENCH SECTION



- The trench grate and frame shall be as shown above or approved equal. The grate shall be the heavy duty type with a design loading of H20-44 and shall be bicycle safe.
The grate and frame material shall be gray cast iron conforming to the requirements of the "Standard Specifications For Gray Iron Castings", ASTM A 48, Grade 30.
- Use Air-Entrained Concrete with a minimum 28-day compressive strength of 3000 PSI throughout. At the Contractor's option the mix used in the concrete pavement may be used throughout.
- Bevel all exposed edges of the concrete with a 3/4" triangular molding.
- All reinforcement shall conform to the requirements of "Standard Specifications For Deformed and Plain Billet-Steel Bars For Concrete Reinforcement", ASTM A615, Grade 40 or Grade 60.

Roadway	Station & Offset	DIMENSIONS			ELEVATIONS		PIPE SIZE		REINFORCING												BILL OF MATERIALS (For Information Only)			
		W (In.)	H ₀ (In.)	H ₁ (In.)	A	B	Outfall Pipe Size (In.)	Inlet Pipe Size (In.)	sl *			hl			h2 **			vl **			Conc. (Cu. Yds.)	Reinf. (Lbs.)	Exc. (Cu. Yds.)	Cast Iron (Lbs.)
									Size & Spa.	No.	Length	Size & Spa.	No.	Length	Size & Spa.	No.	Length	Size & Spa.	No.	Length				
Greenwich Road	48+69.5, 58.5' Rt.	40	48	30	1373.39	1373.39	15" RCP	---	*4@12"	28	10'-4"	*4@9"	13	29'-1"	*4@9"	9	3'-1"	*4@9"	6	3'-9"	6.4	480	20.1	2,324

* Field Cut bars at shallow end for vertical clearance.
** Field Cut or Bend for clearance.

1:/1995/95297/002/trenchindgn
Drawn by: maf
Plotted by: maf 7-29-97

No.	Revisions	By	Date
SEDGWICK COUNTY BUREAU OF PUBLIC SERVICES			
TRENCH INLET			
PROJECT NO. 618-34		SEDGWICK COUNTY	
PROFESSIONAL ENGINEERING CONSULTANTS, P.A. ENGINEERS WICHITA, KANSAS			
Designed by	JPS	Checked by	WDH
Drawn by	MAF	Date	JULY 1997 Job No. 95297-2