

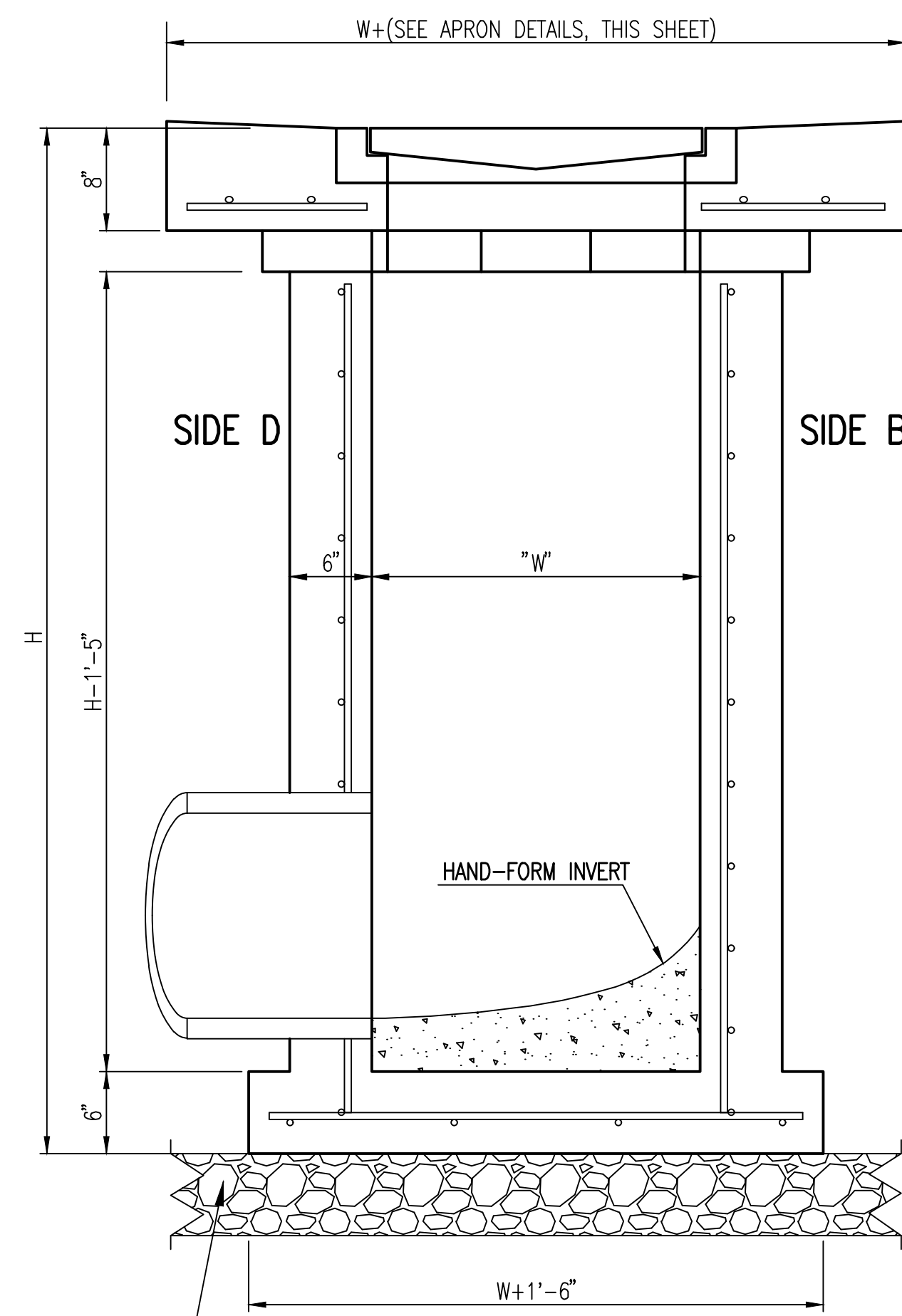
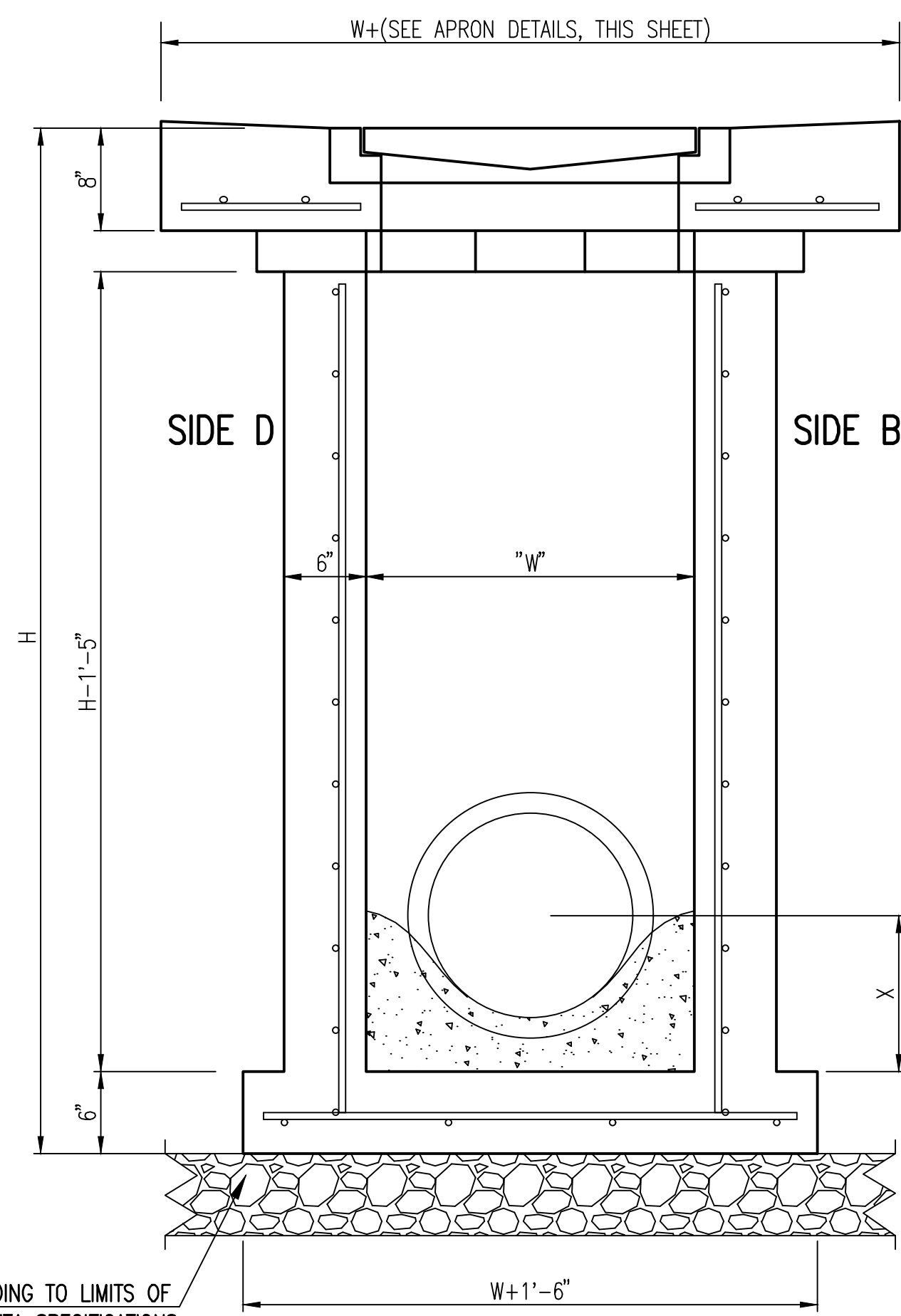
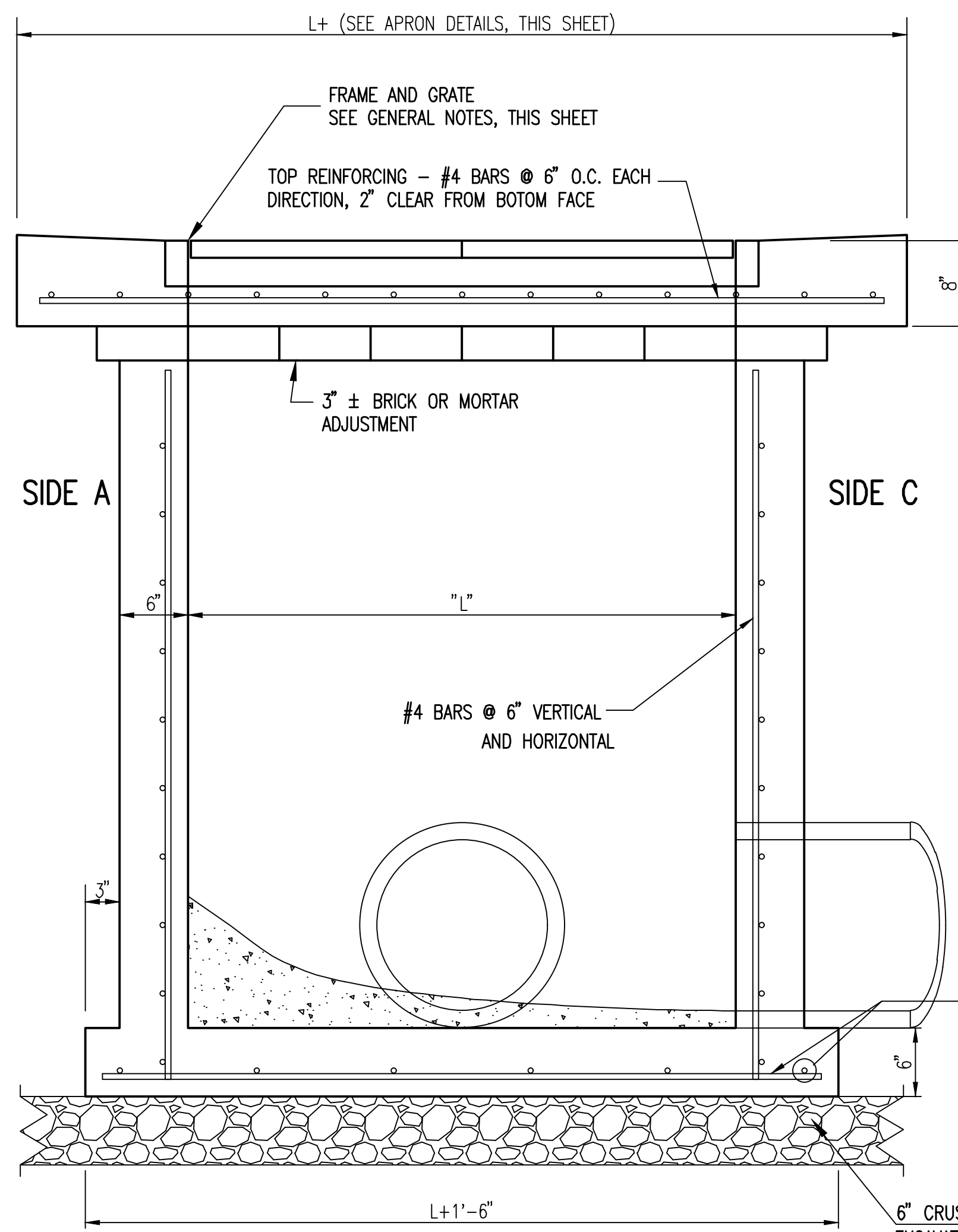
* APRON TO EXTEND ON ALL 4 SIDES OF INLET.
DESIGNER TO DESIGNATE APRON SIZE.

W=2' and L=2' for SINGLE DROP INLET
W=2' and L=4' for DOUBLE DROP INLET

The structure(s) on this detail sheet are designed for HS-20 loading at these specific dimensions only.
If larger dimensions are required, the ENGINEER shall provide a project specific structure design for approval by the City Engineer's office.

GENERAL NOTES

1. GRATE FRAME TO BE INSTALLED ON THIN MORTAR CUSHION TO INSURE FULL SUPPORT ALONG BRICK. CONCRETE USED FOR INLET CONSTRUCTION SHALL CONFORM TO CITY OF WICHITA SPECIFICATIONS FOR CONCRETE PAVEMENT MIX.
2. INLET INVERT SHALL BE SHAPED WITH 8 SACK SAND MIX CONCRETE TO CREATE FLOW CHANNELS AND TO INCREASE HYDRAULIC EFFICIENCY SUCH THAT THE INLET WILL BE SELF CLEANING BETWEEN ALL INLET AND/OR OUTLET PIPES.
3. THE ENDS OF ALL PIPES INSTALLED IN INLETS SHALL BE CUT OFF FLUSH WITH THE INSIDE FACE OF THE INLET WALL.
4. INLET FRAME AND GRATE TO BE DEETER #2433, EJIW #5391-Z1 OR APPROVED EQUAL FOR 2'x2' SINGLE DROP INLET AND DEETER #2434, EJIW #5391 Z3 OR APPROVED EQUAL FOR 2'x4' DOUBLE DROP INLET.
5. CONTRACTOR SHALL REMOVE LIFTING HOOKS AFTER INSTALLATION. RECESSES IN INLET WALL SHALL BE GROUTED FLUSH TO THE INLET WALL WITH HYDRAULIC CEMENT AFTER THE INLET IS IN PLACE. LIFTING HOLES THRU THE INLET WALL WILL NOT BE ACCEPTED.



Sheet: 04-08-2011, 10:44:42 AM by BILL SEASON
 Proj: Sade 131 07-08-2011 2:26:16 PM by BILL SEASON, CET
 U:\wchita-civil\2011\171395\Drawings\171395-001-44C-SINGLE-DOUBLE DROP INLET

REVISED: MARCH 2015



SINGLE/DOUBLE DROP INLET		
CITY ENGINEER GARY JANZEN, P.E.		
PROJECT NUMBER 472-85434	OCA NUMBER 707140	DATE
CITY ENGINEER'S OFFICE CITY HALL - SEVENTH FLOOR 455 NORTH MAIN STREET WICHITA, KANSAS 67202-1620 (316) 268-4501		SHEET 44 of 134