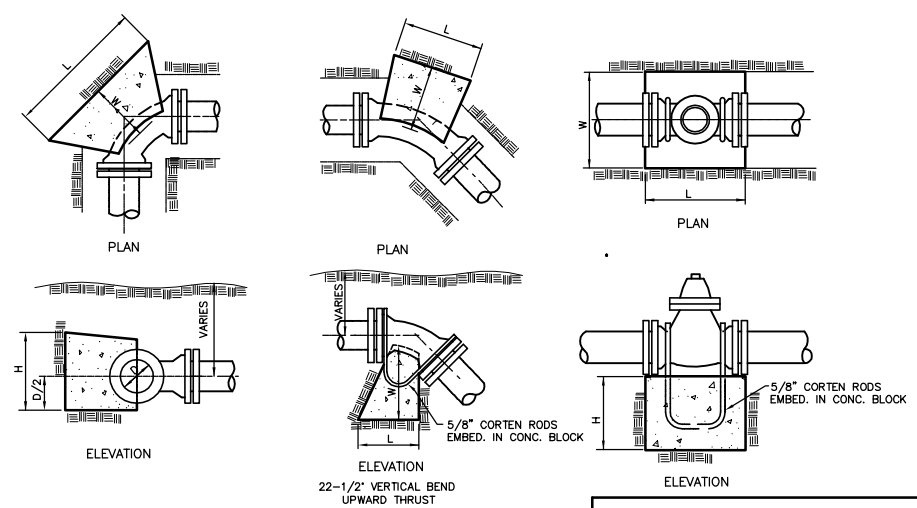
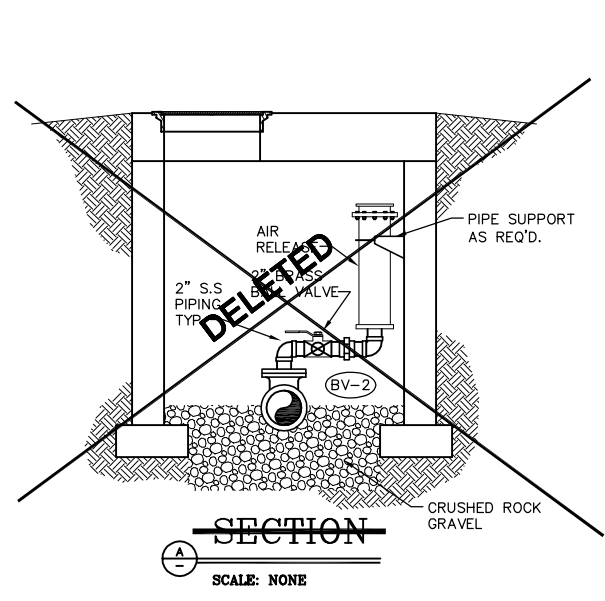
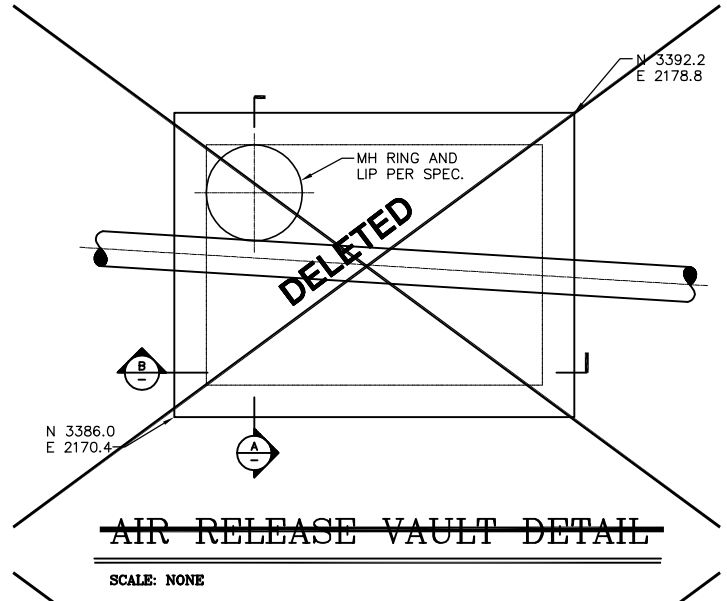
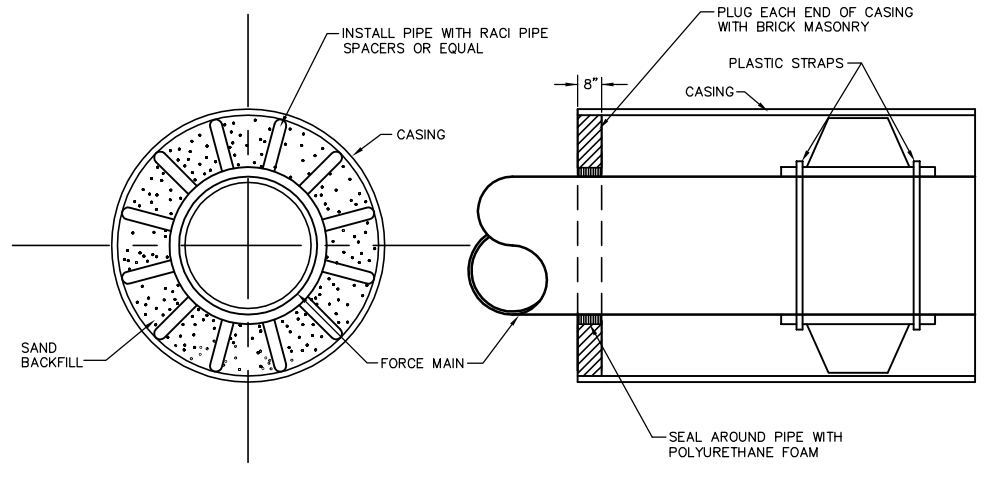
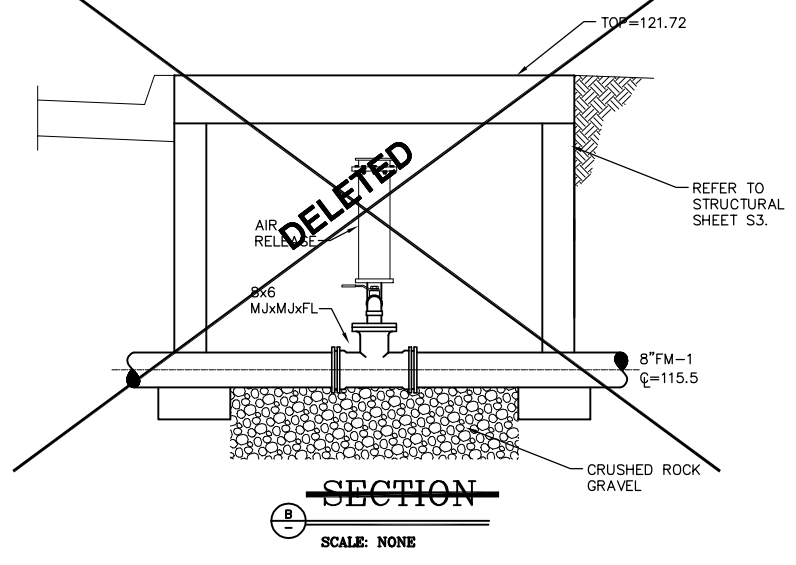


18 17 16 15 14 13 12 11 10 9 8 7 6 5 4 3 2 1



THRUST BLOCK DETAILS

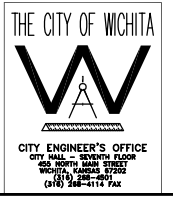
SCALE: NONE



CASING DETAIL

SCALE: NONE

CONFORMING TO
CONSTRUCTION RECORDS
4/20/07



NO.	BY	DATE	DESCRIPTION
0	DLM	10/17/05	ISSUE FOR CONSTRUCTION
	MJV	4/26/07	CONFORMING TO CONSTRUCTION RECORDS DELETED AIR RELEASE VAULT, ADDED 1'-0" TO EAST SIDE OF VALVE VAULT.



CITY OF WICHITA, KANSAS
15th STREET PUMP STATION
AND FORCE MAIN
MISCELLANEOUS CIVIL DETAILS IV

DESIGNED BY	DLM	CHECKED BY	DLM
DRAWN BY	BDM	DATE	JUNE, 2005
PROJECT	0301030310	CONTRACT	-
DRAWING	C7	REVISION	0

FILE: S:\ENVR\03310\BWD\civ\03310_C7-MISC_CIVIL-4.dwg 10/11/2005 10:28:41 PM CST