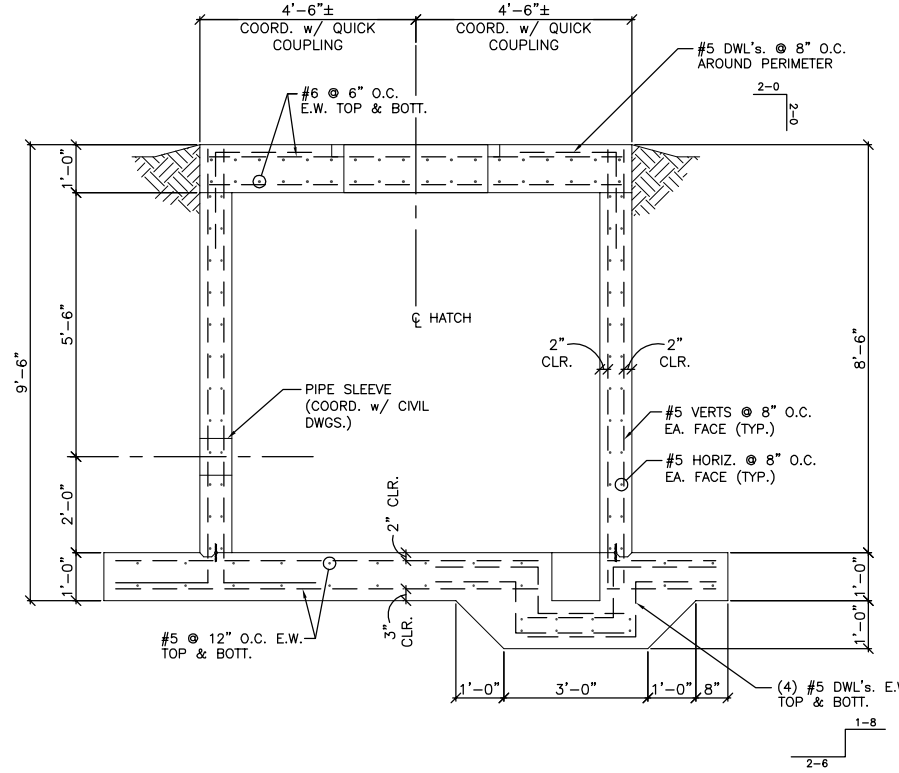


PROVIDE (2) ADDITIONAL #6 BARS EA. SIDE OF OPENING TOP & BOTT. w/ STD. 90° HOOK EA. END

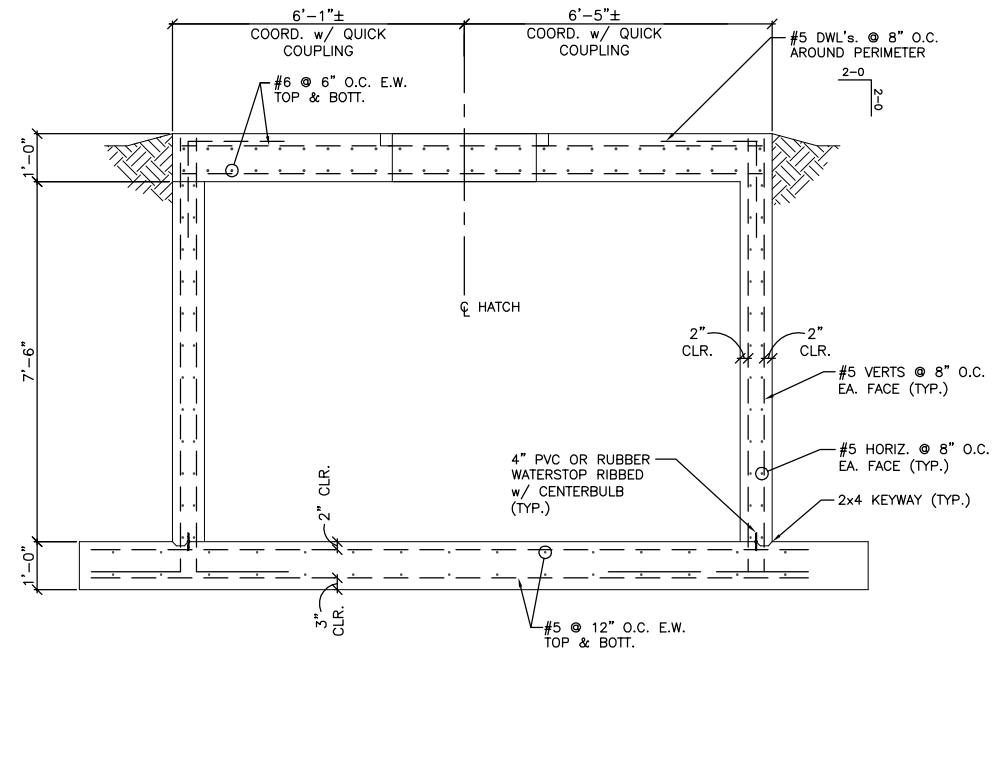
PLAN VIEW

1/2" = 1'-0"
COORD. LOCATION ON SITE w/ CIVIL DWG'S



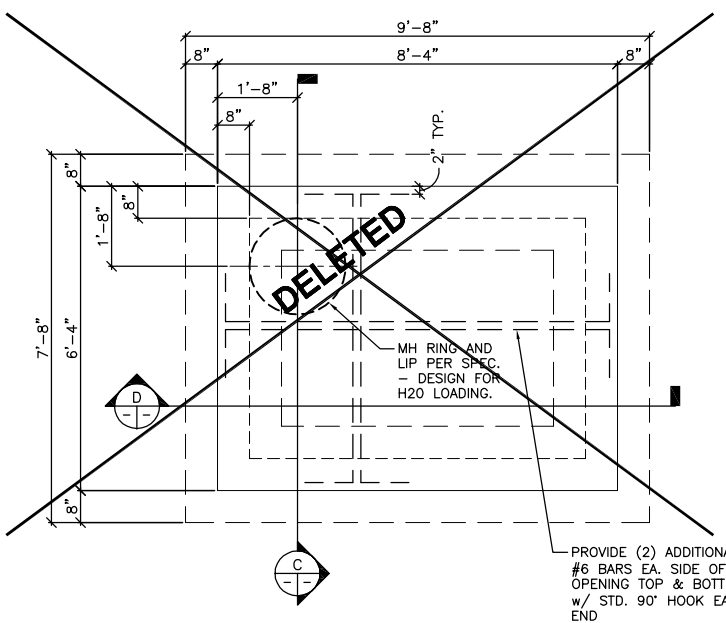
A SECTION @ VAULT

1/2" = 1'-0"



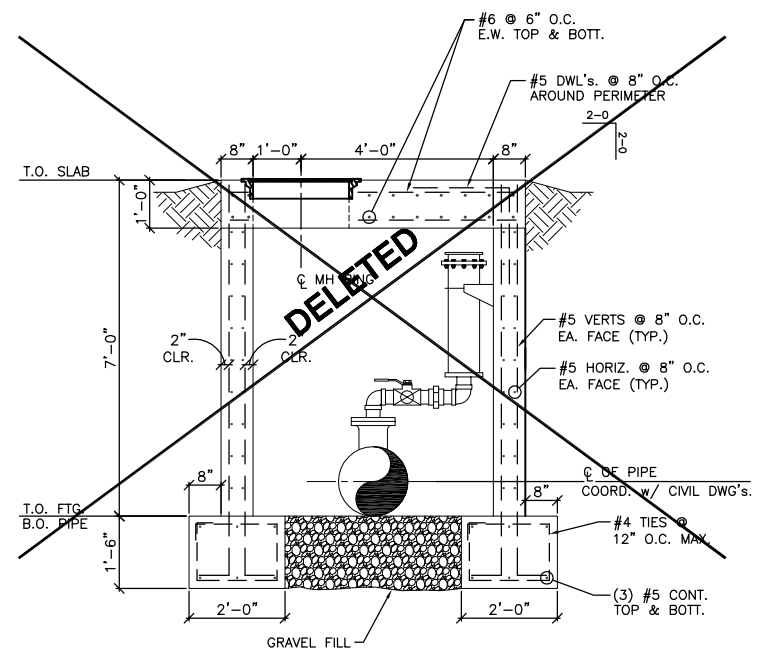
B SECTION @ VAULT

1/2" = 1'-0"



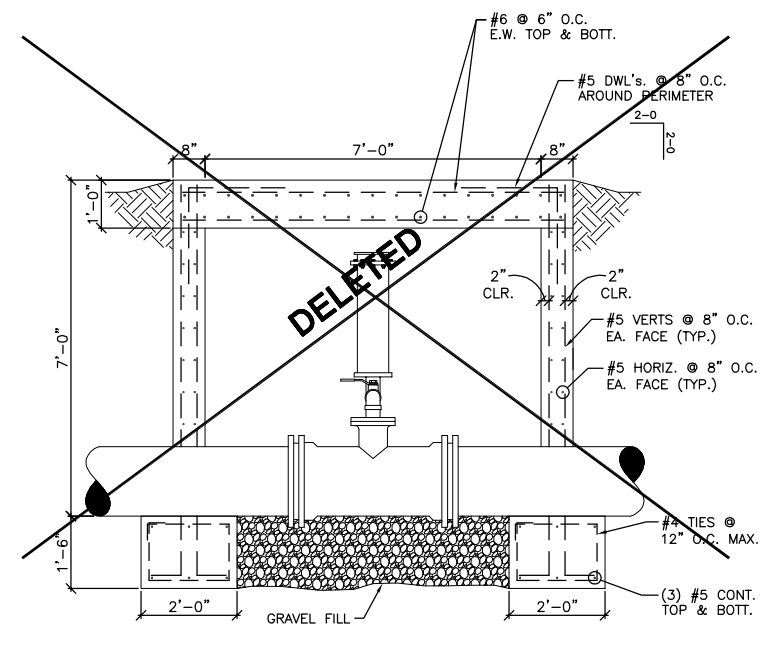
~~**AIR RELEASE VAULT PLAN VIEW**~~

COORD. LOCATION ON SITE w/ CIVIL DWG'S 1/2" = 1'-0"



~~**C SECTION @ VAULT**~~

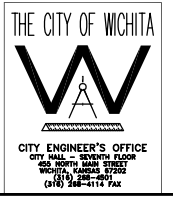
1/2" = 1'-0"



~~**D SECTION @ VAULT**~~

1/2" = 1'-0"

CONFORMING TO
CONSTRUCTION RECORDS
4/20/07



NO.	BY	DATE	DESCRIPTION
0	DLM	10/17/05	ISSUE FOR CONSTRUCTION
	MJV	4/26/07	CONFORMING TO CONSTRUCTION RECORDS DELETED AIR RELEASE VAULT, ADDED 1'-0" TO EAST SIDE OF VALVE VAULT.



CITY OF WICHITA, KANSAS
15th STREET PUMP STATION
AND FORCE MAIN

VALVE VAULT AND AIR RELEASE
DETAILS

DESIGNED BY	AR	CHECKED BY	AR
DRAWN BY	JMC	DATE	JUNE, 2005
PROJECT	0301030310	CONTRACT	-
DRAWING	S3	REVISION	0

FILE S:\ENVR\03310\DWG\Struct\0331053.dwg 08/18/2005 04:48:66 PM CST