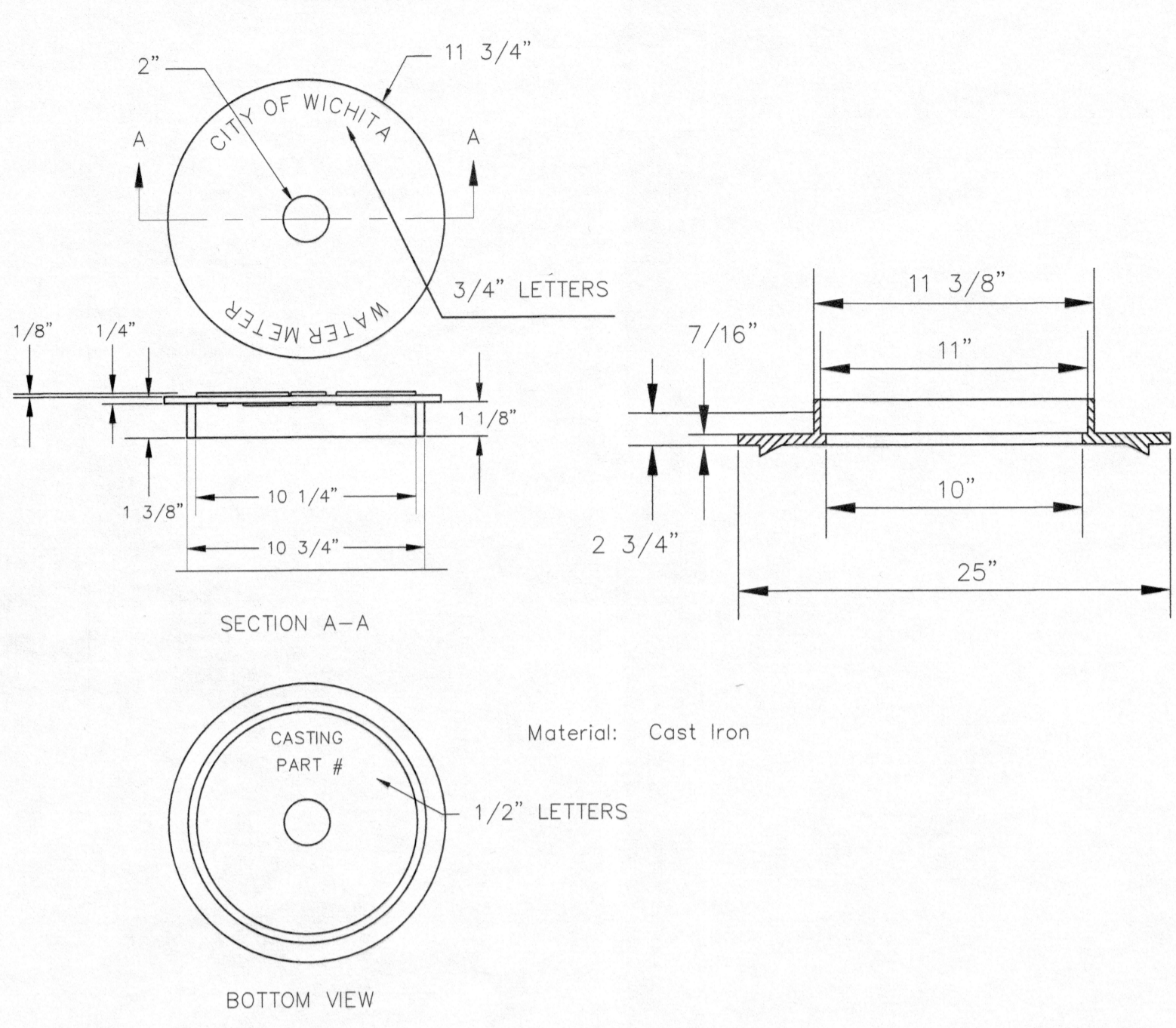


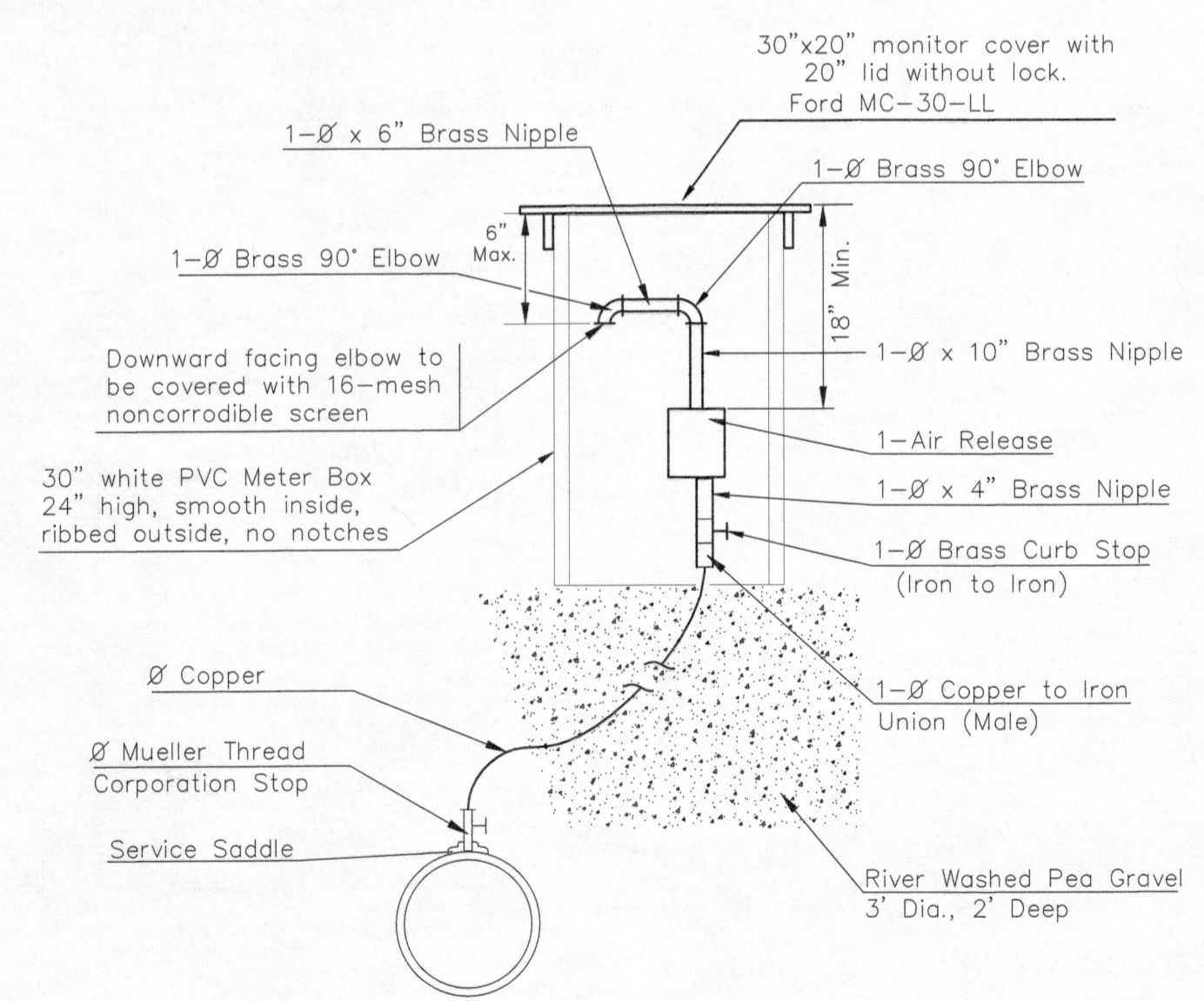
TYPICAL 1" METER SETTING



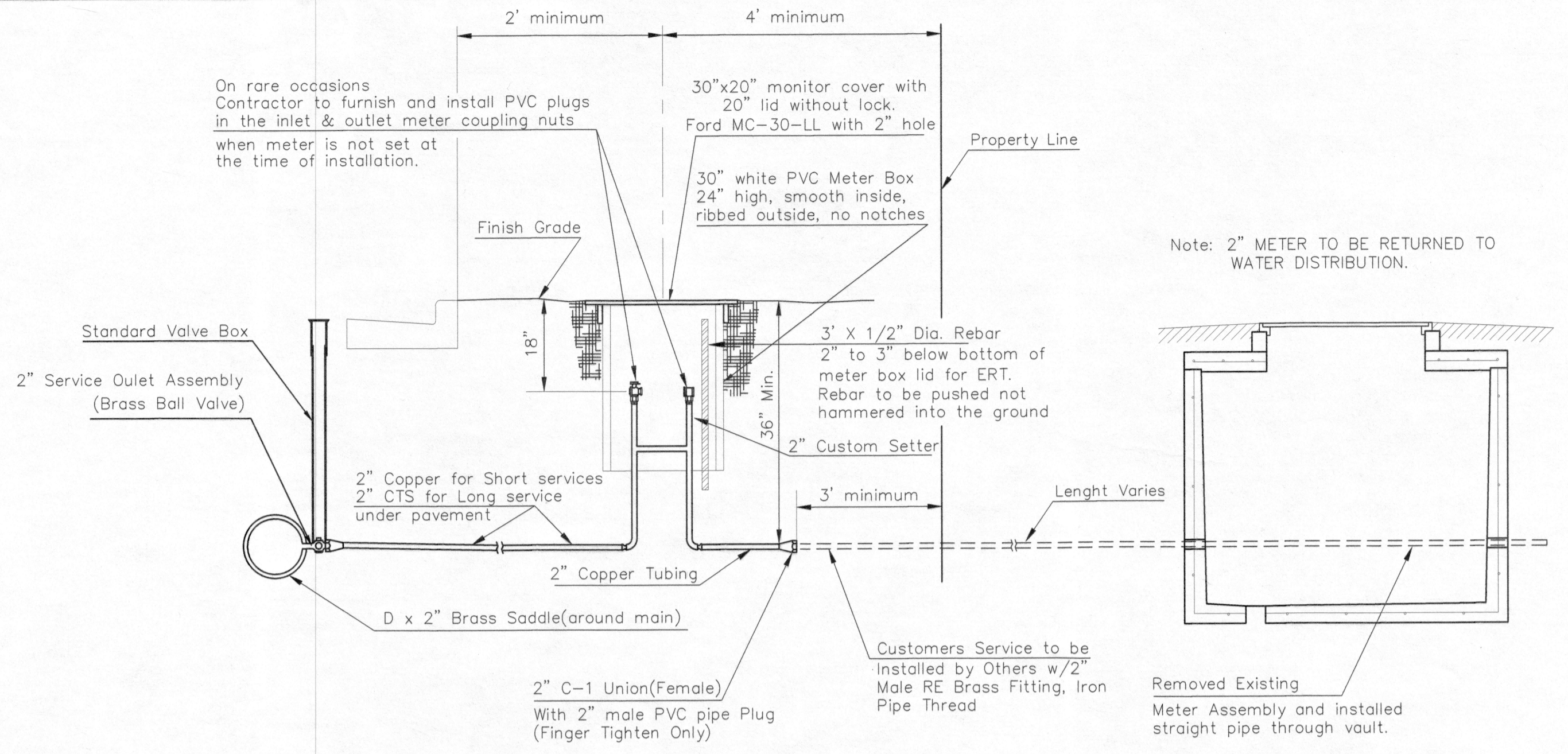
NOT TRAFFIC RATED RING & LID FOR 1" METER BOX

- NOTE:
- 1 - Ø Mueller Thread Corporation Stop
  - Ø Type "K" Copper Tubing
  - 1 - Ø Copper to Iron Union (Male)
  - 1 - Ø Brass Curb Stop (Iron to Iron)
  - 2 - Øx4" Brass Nipple
  - Air Release
  - 2 - Ø Brass Elbows (90°)
  - 1 - 1"x6" Brass Nipple
  - 1 - 30" Monitor Cover
  - 1 - 20" Meter Lid

THE 1/2" AIR RELEASE ASSEMBLY WILL TYPICALLY BE USED ON WATER MAINS 24" AND SMALLER, AS SPECIFICALLY DESIGNATED IN THE PLANS. COMBINATION AIR RELEASE ASSEMBLIES WILL BE SPECIFICALLY DESIGNED FOR PROJECTS WITH LARGER MAINS, AND WILL BE INCLUDED IN THE PLANS.



MATERIALS FOR 1" or 2" AIR RELEASE ASSEMBLY Ø = 1" or 2"

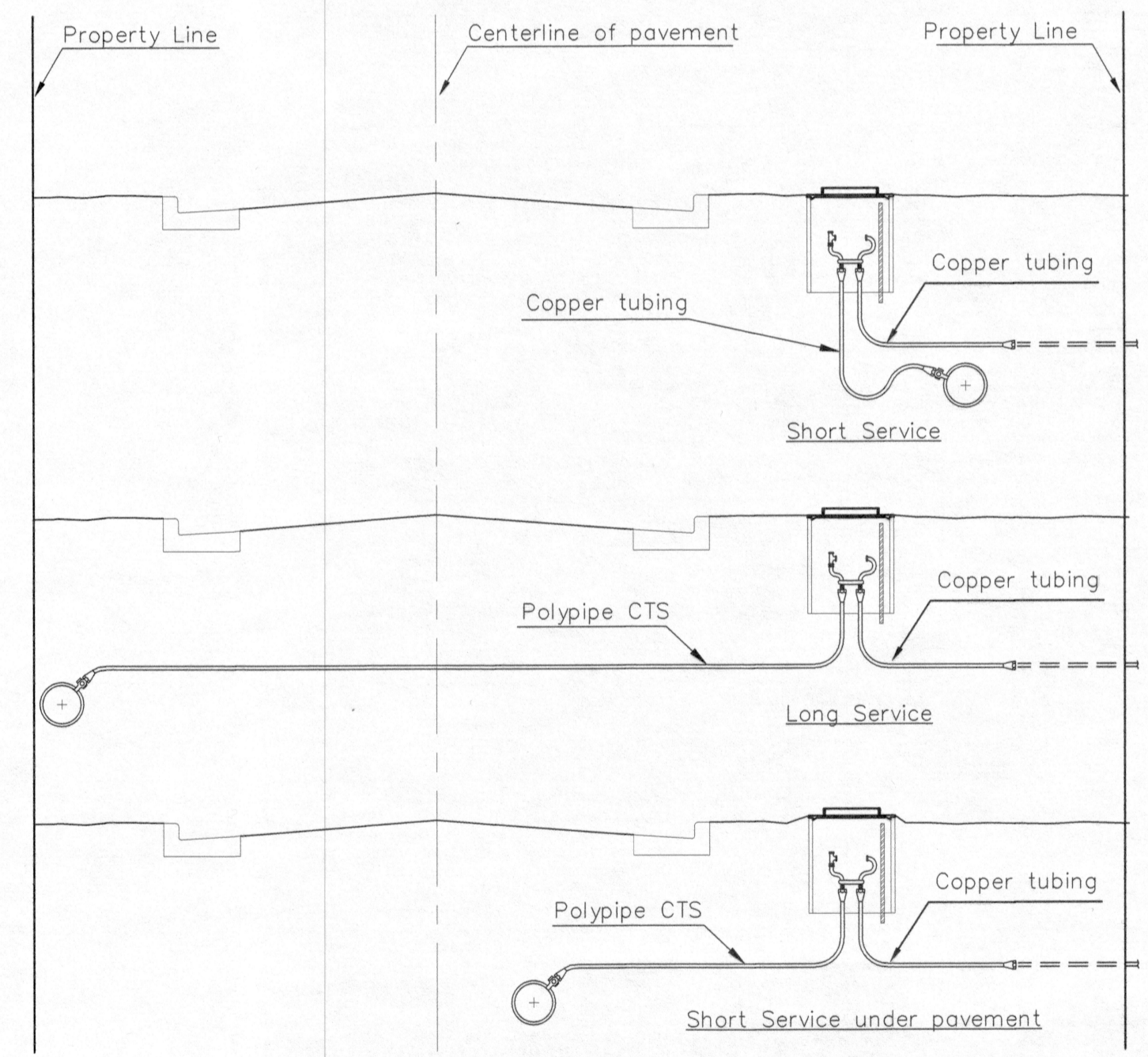


TYPICAL 2" METER SETTING

TYPICAL 2" METER SETTING INVOLVING EXISTING 2" METER VAULT

Note: ONE VALVE STEM EXTENSION FOR EACH VALVE BURIED GREATER THAN 5'.

Note: ONE VALVE STEM EXTENSION FOR EACH VALVE BURIED GREATER THAN 5'.



SERVICE TYPES

Note: Where the 2" Service Outlet Assembly is to be used to connect a 2" main to another main, the 2" valve shall be a 2" IPT Gate Valve. 2" ball or globe valves shall not be approved for this use.

2" SERVICE OUTLET ASSEMBLY TOP VIEW



REVISED: NOVEMBER 2019 TM 3"x1/2" REBAR IN 1" & 2" METER SETTINGS FOR ERT.

**CITY OF WICHITA**  
PUBLIC WORKS & UTILITIES ENGINEERING DIVISION

**STANDARD WATER SERVICE DETAIL**  
CITY ENGINEER  
**GARY JANZEN, P.E.**

PROJECT NUMBER	OCA NUMBER	DATE
CITY ENGINEER'S OFFICE CITY HALL - SEVENTH FLOOR 455 NORTH MAIN STREET WICHITA, KANSAS 67202-1620 (316) 268-4501		SHEET <b>10 of 18</b>