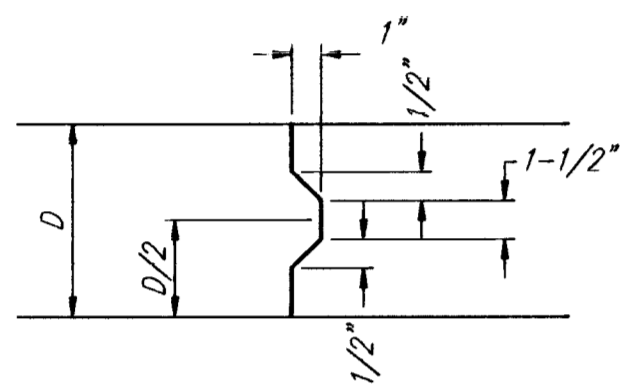
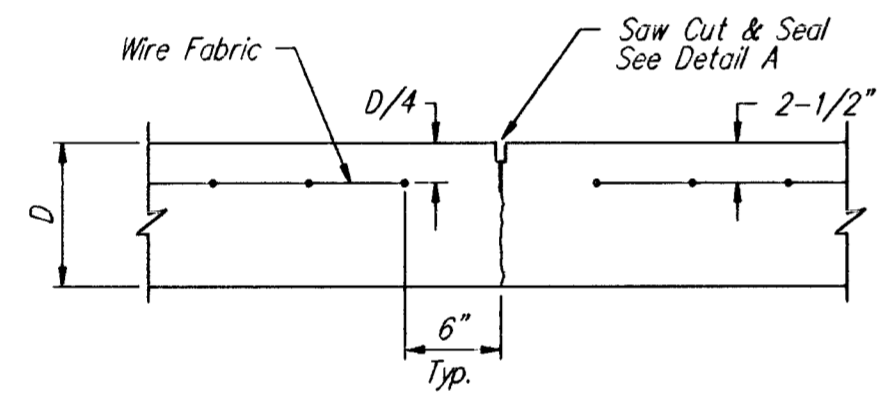


EXPANSION JOINT

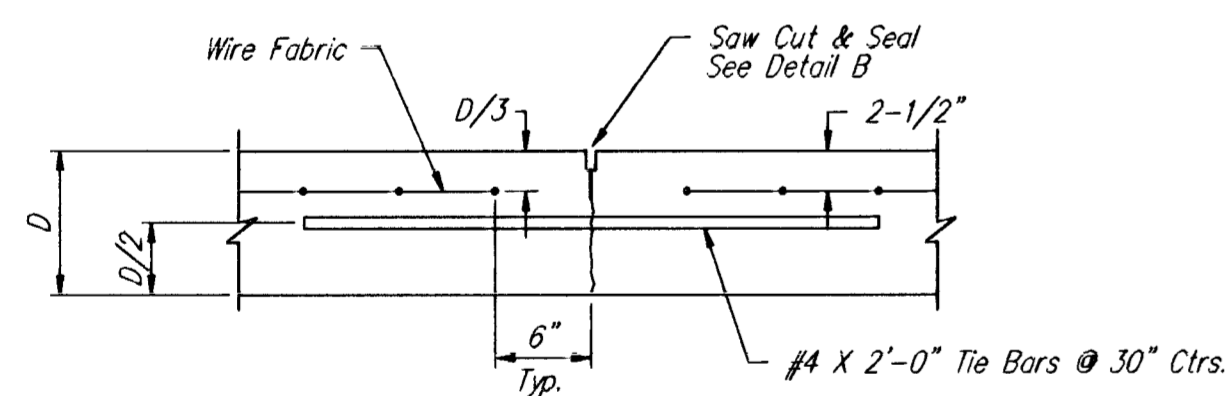
NOTE: Extra Thickness to be Subsidiary to Price of Square Yards Pavement



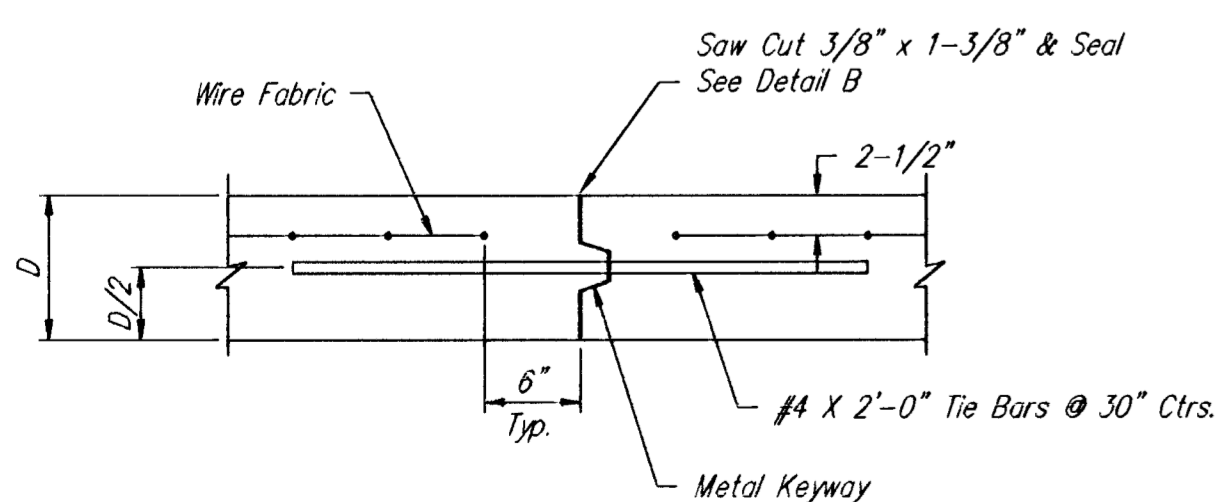
KEYWAY DETAIL



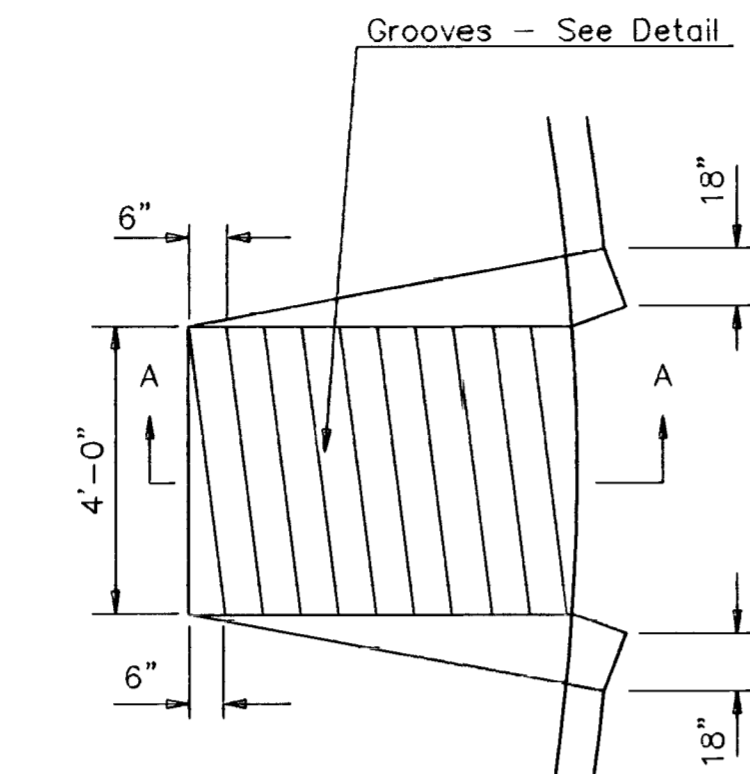
CONTRACTION JOINT DETAIL (C.J.)



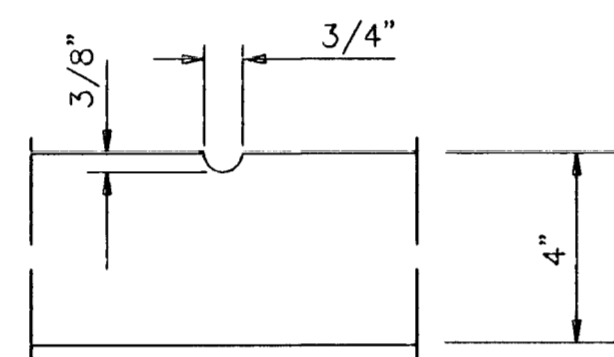
LONGITUDINAL JOINT DETAIL (L.J.)



OPTIONAL LONGITUDINAL JOINT DETAIL (L.J.) (CONSTRUCTION JOINT)

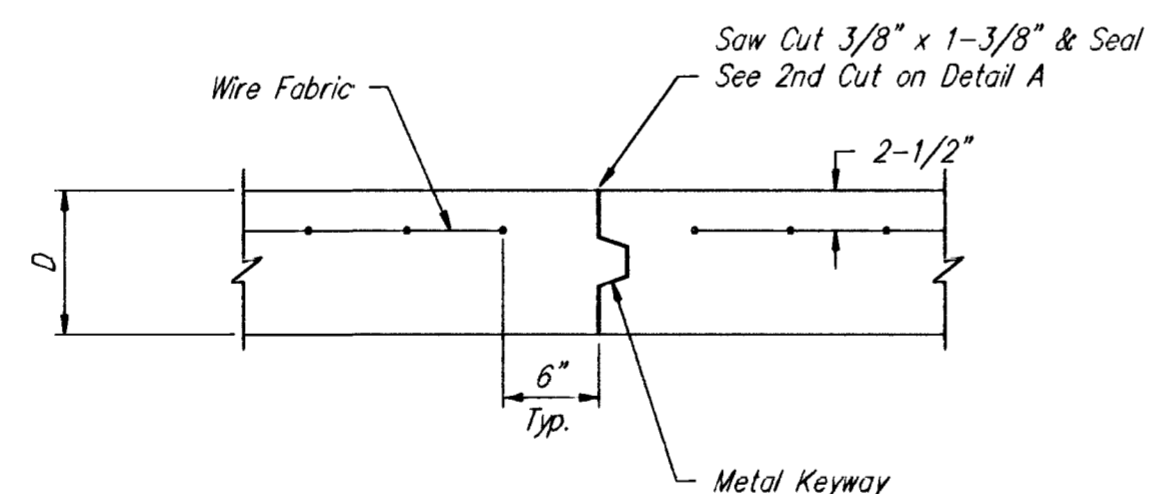


WHEELCHAIR RAMP PLAN VIEW

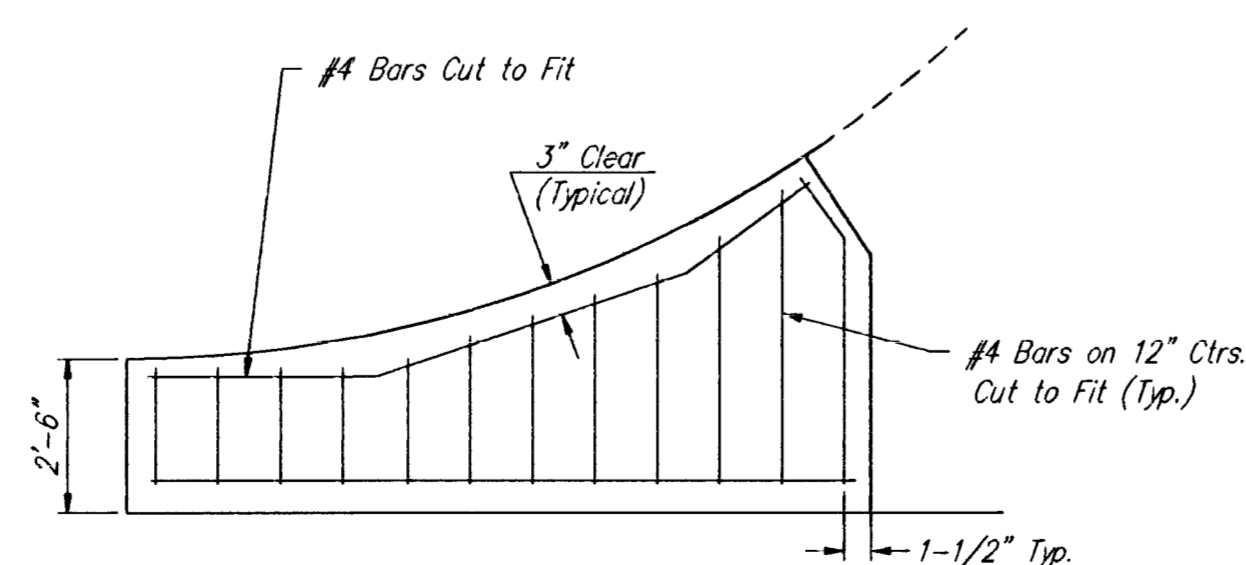


GROOVE DETAIL

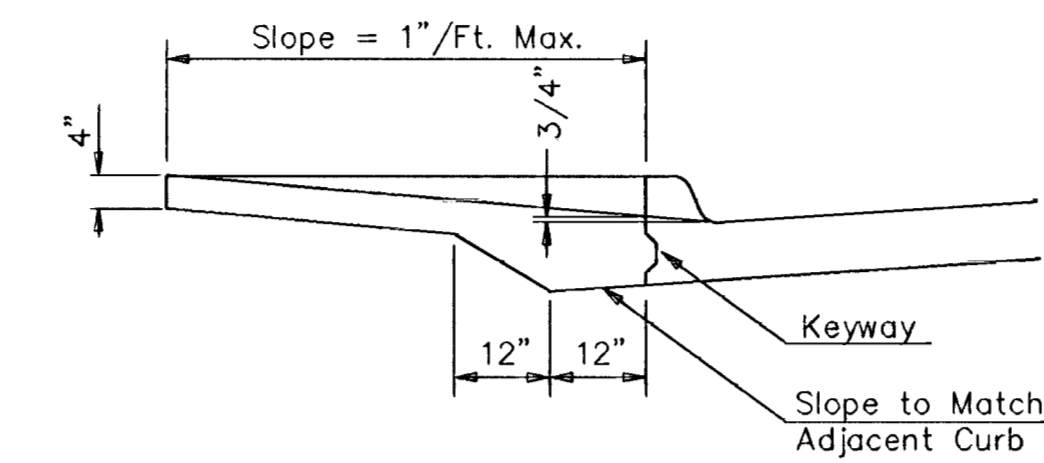
WHEELCHAIR RAMP DETAIL



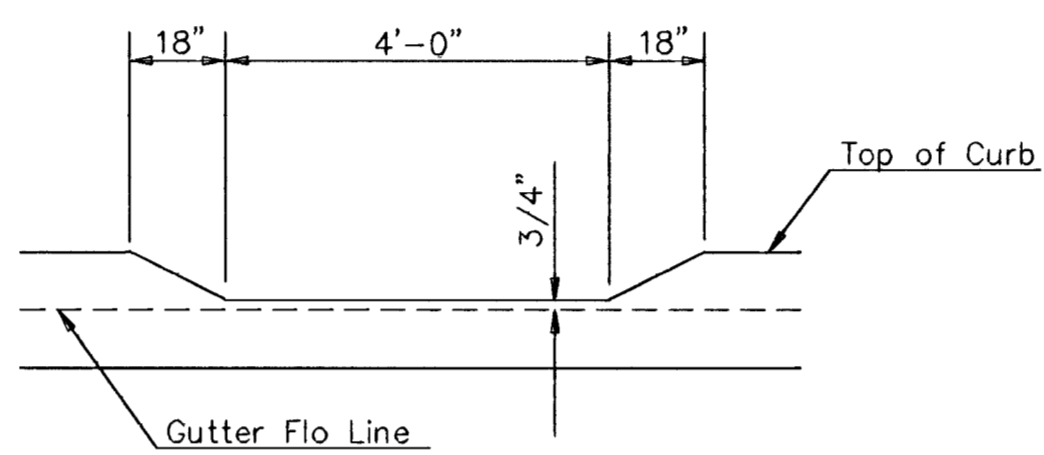
OPTIONAL CONTRACTION JOINT (CONSTRUCTION JOINT)



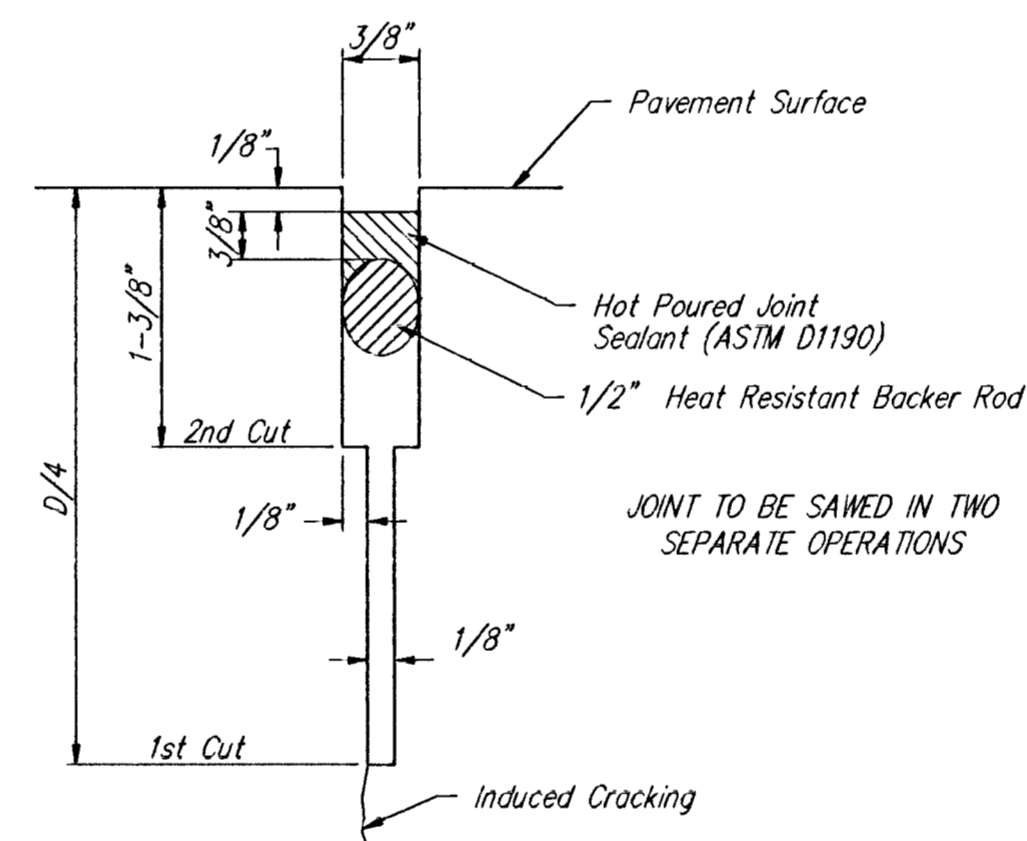
WING REINFORCING DETAIL



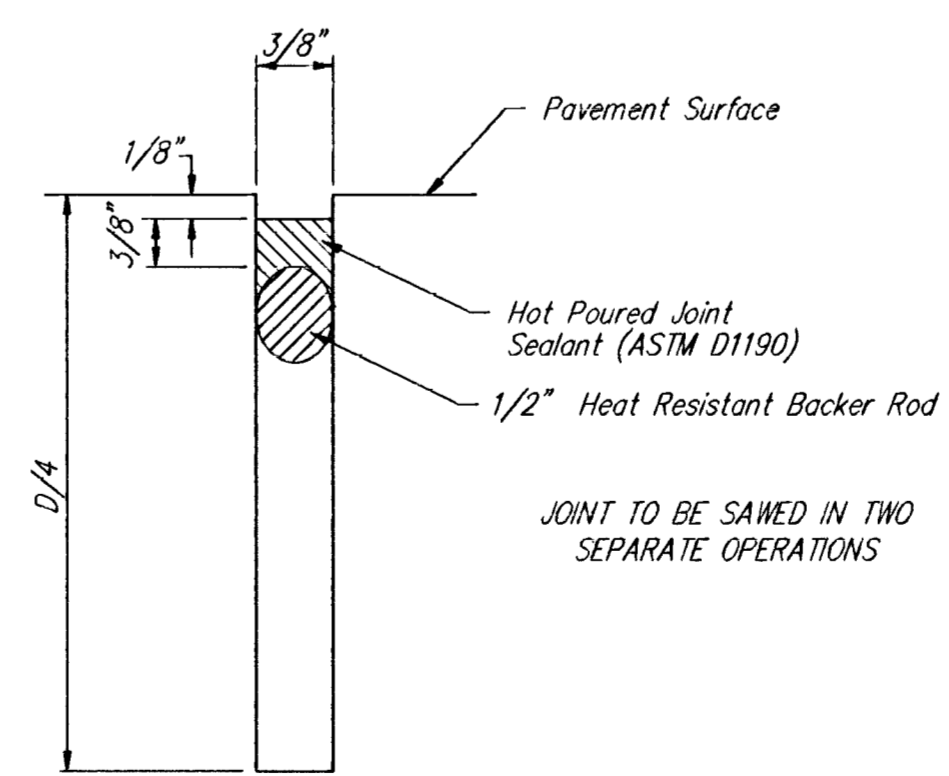
SECTION A-A



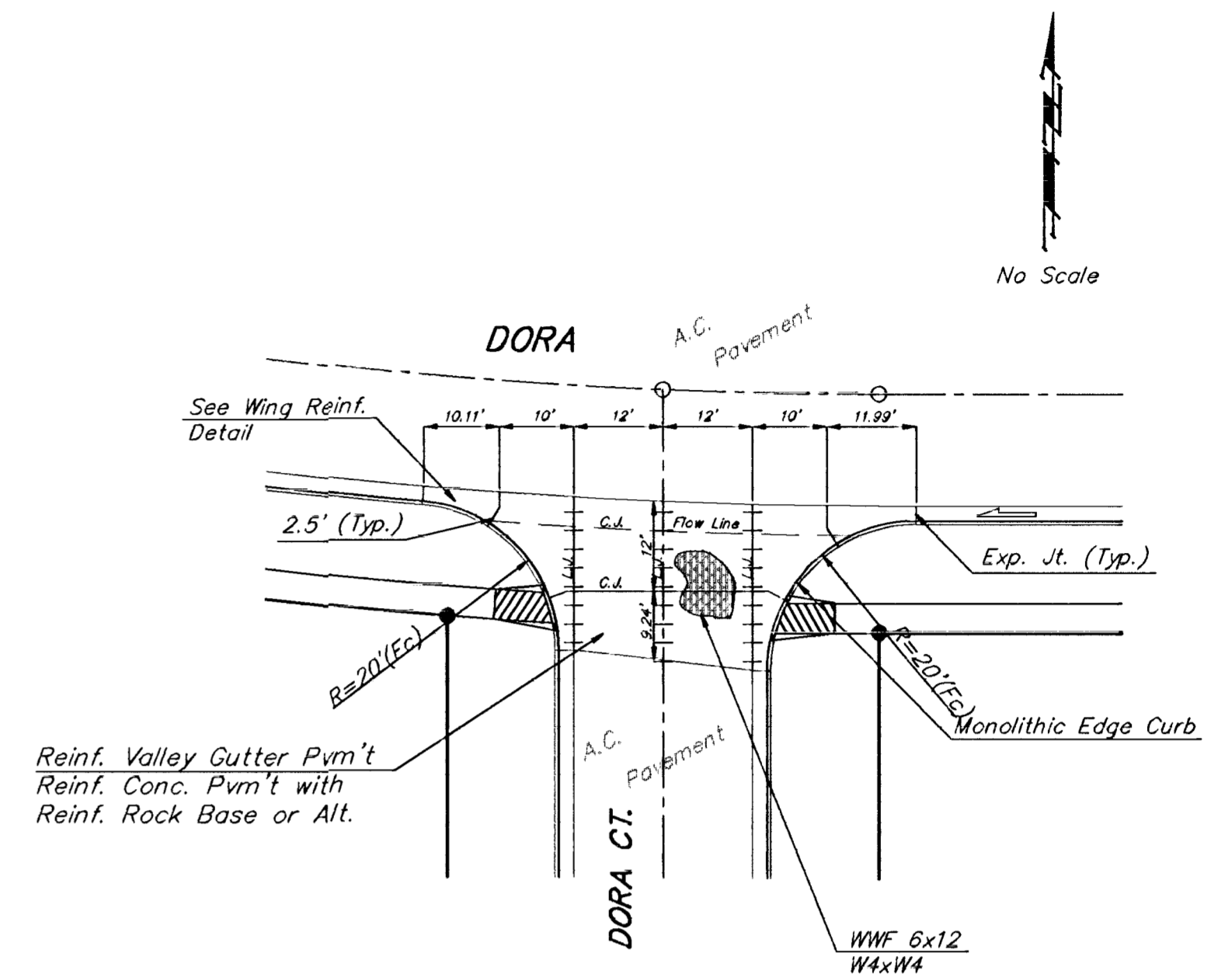
DEPRESSED CURB DETAIL



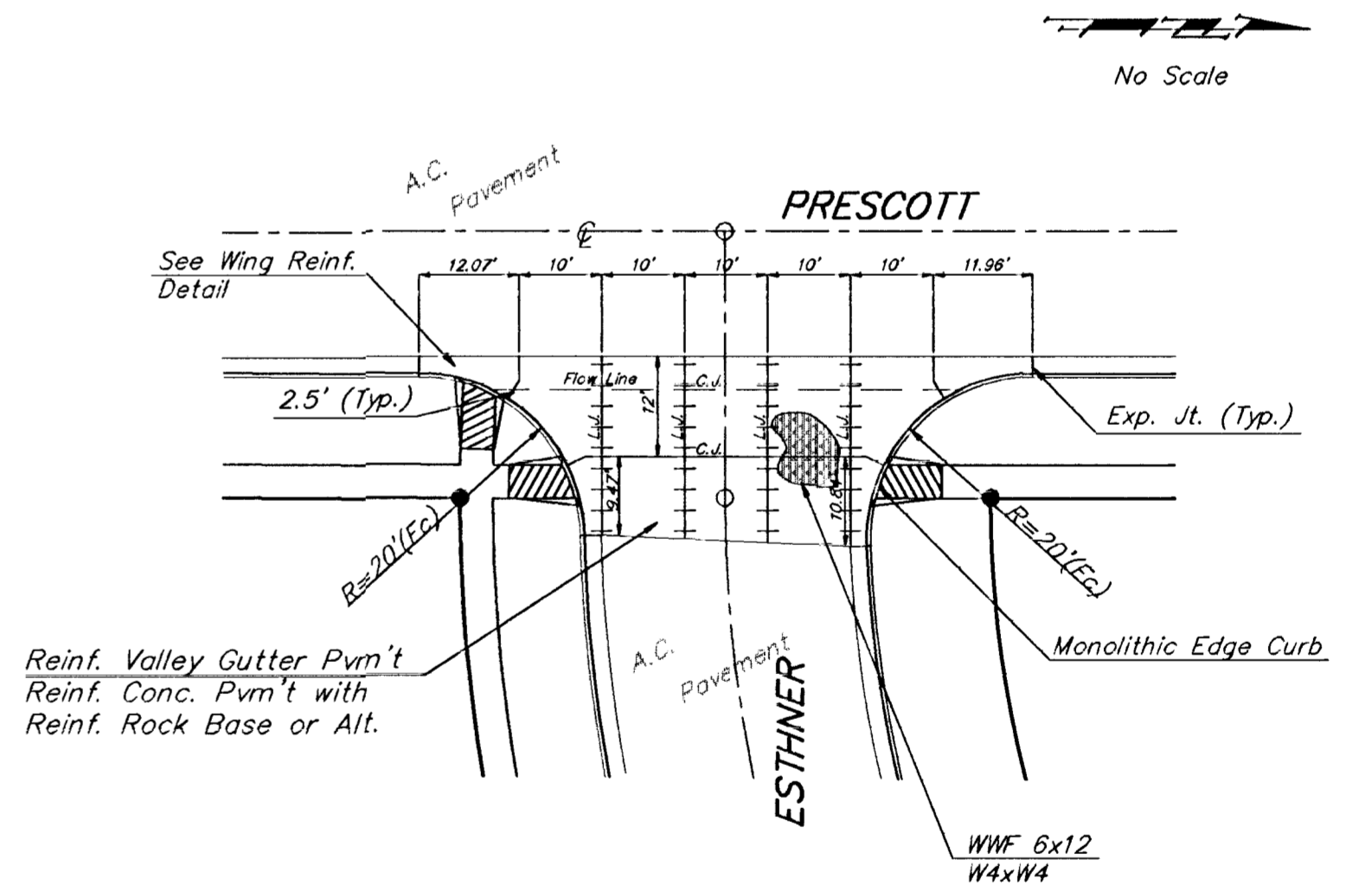
SAW JOINT DETAIL "A"



SAW JOINT DETAIL "B"



No Scale



No Scale

VALLEY GUTTER DETAILS				
BAUGHMAN COMPANY P. A. ENGINEERING, SURVEYING, & PLANNING				
316-262-7271 • 315 ELLIS • WICHITA, KANSAS 67211				
PROJECT NUMBER 472-78-245-82728-000-000-001				
DESIGN	DRAWN	APPROVED	DATE 7-96	SCALE NONE
				SHEET 5 OF 21

96-04-E315 LARK-31102ET