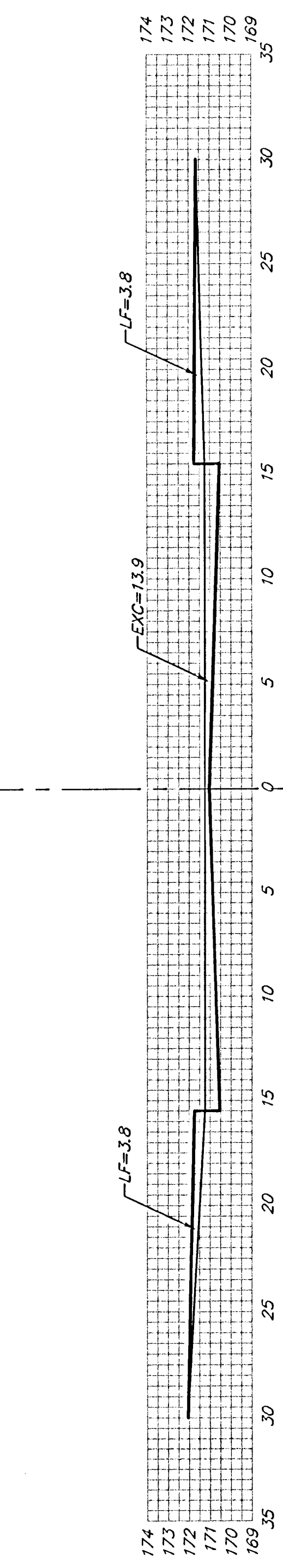
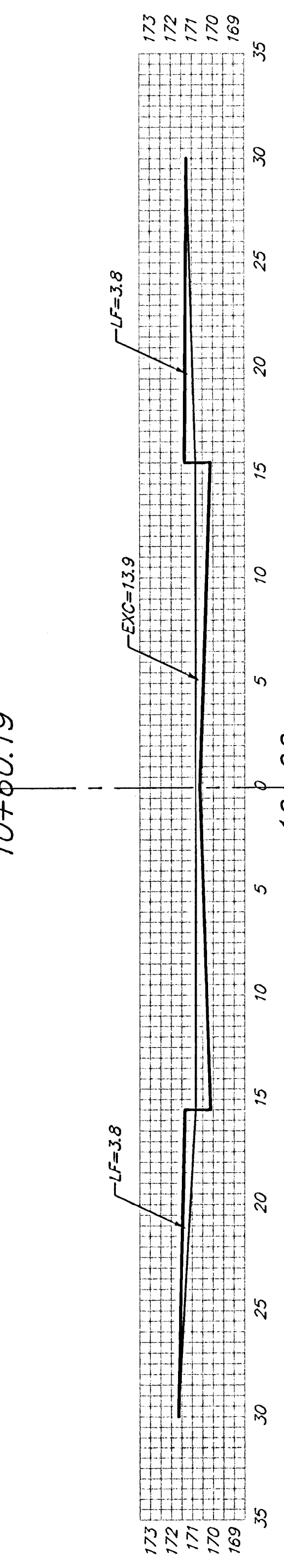


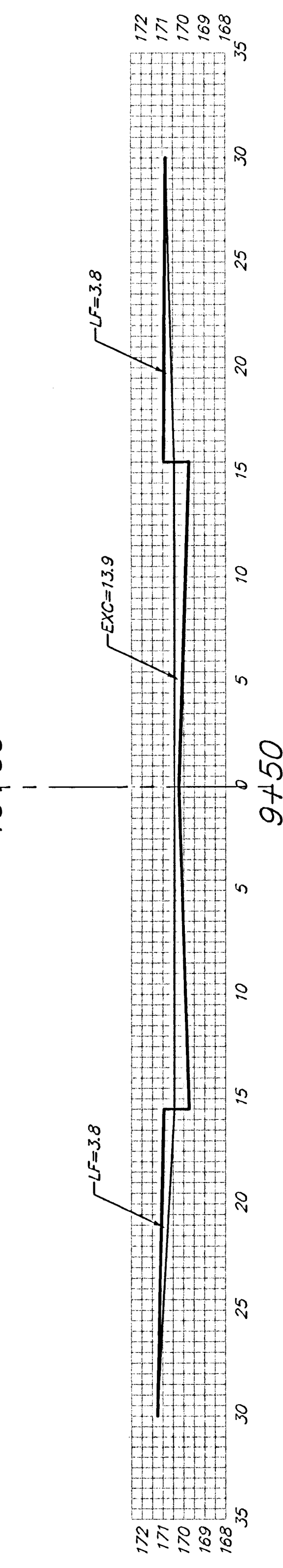
EXC = 14.0  
LF = 4.7  
CF = 0.0



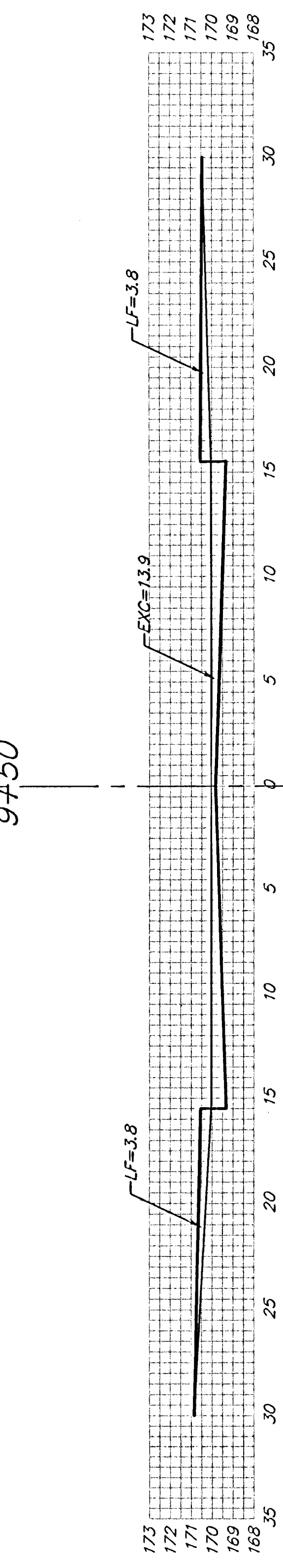
EXC = 31.0  
LF = 16.8  
CF = 0.0



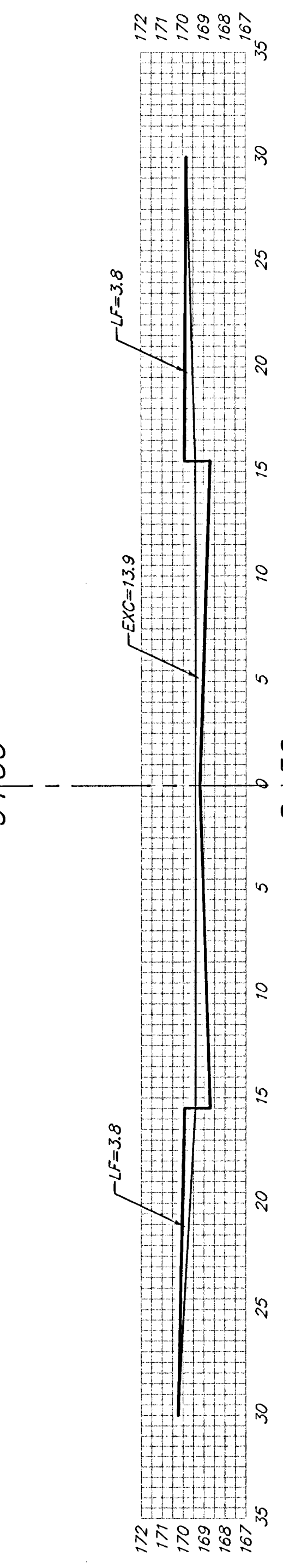
EXC = 25.8  
LF = 14.0  
CF = 0.0



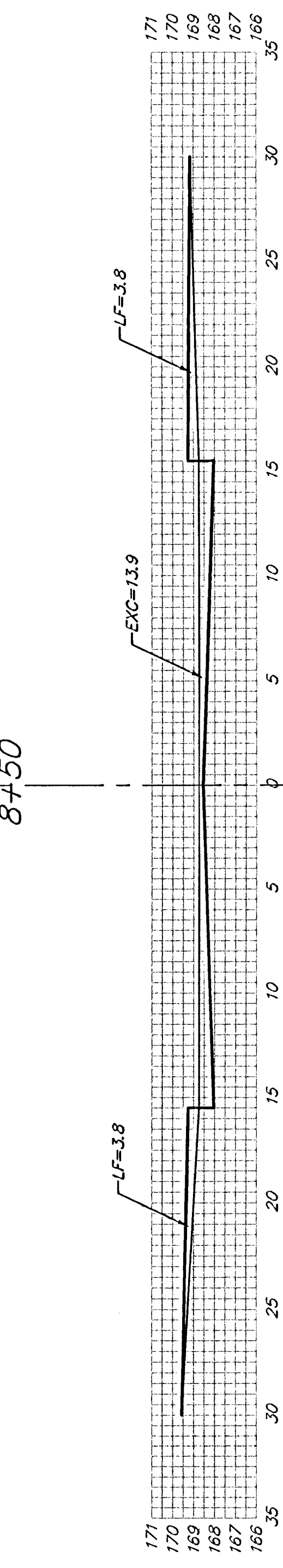
EXC = 25.8  
LF = 14.0  
CF = 0.0



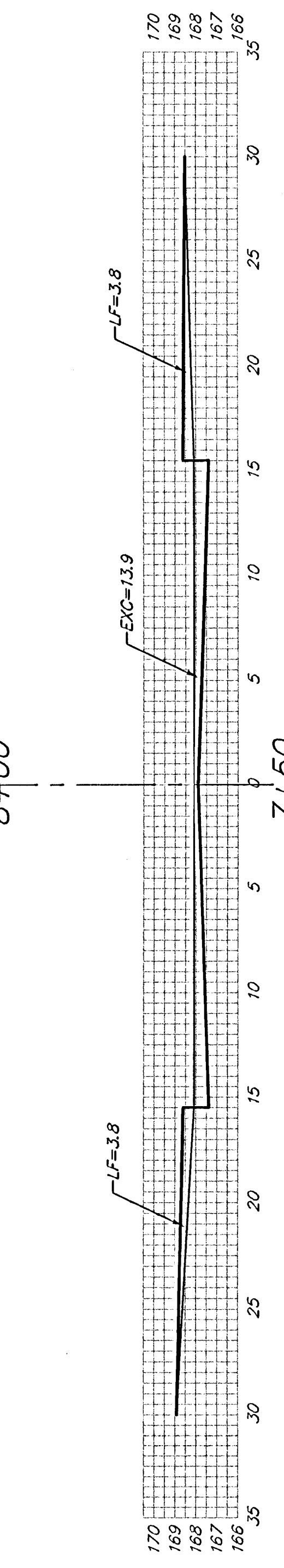
EXC = 25.8  
LF = 14.0  
CF = 0.0



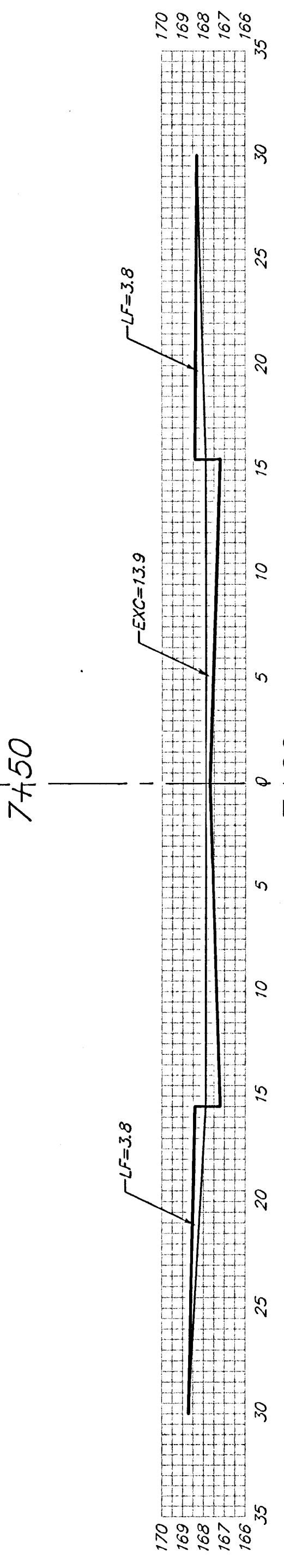
EXC = 25.8  
LF = 14.0  
CF = 0.0



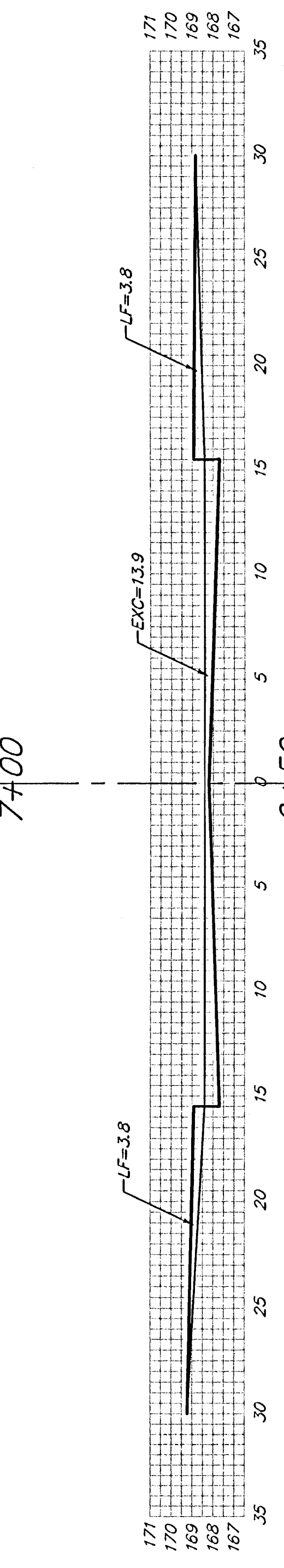
EXC = 25.8  
LF = 14.0  
CF = 0.0



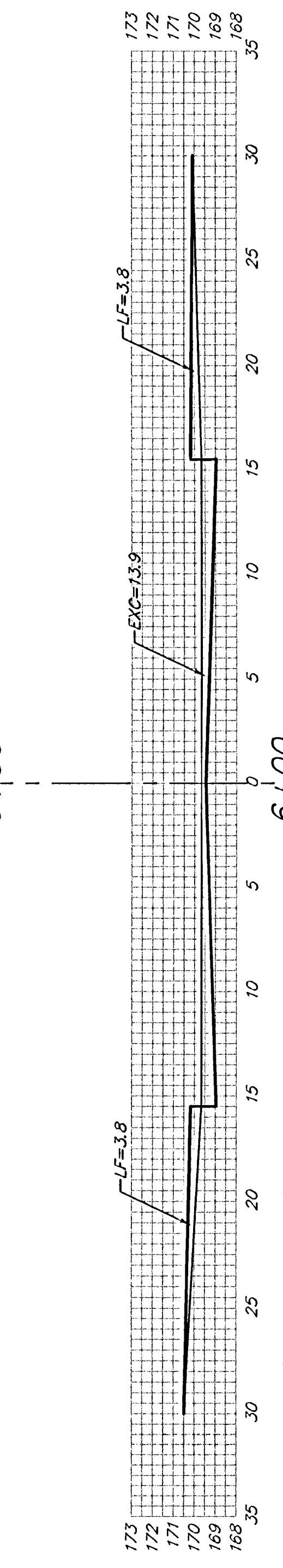
EXC = 25.8  
LF = 14.0  
CF = 0.0



EXC = 25.8  
LF = 14.0  
CF = 0.0



EXC = 25.8  
LF = 14.0  
CF = 0.0



NINEIRON

Sheet Totals:  
Excavation = 251.4  
Loose Fill = 133.5  
Compacted Fill = 0.0

**BAUGHMAN COMPANY P.A.**  
ENGINEERING, SURVEYING, & PLANNING  
316-282-7271 • 315 ELLIS • WICHITA, KANSAS 67211  
PROJECT NUMBER  
**472-83280**

REV.  
SHEET  
**25**  
OF  
**30**