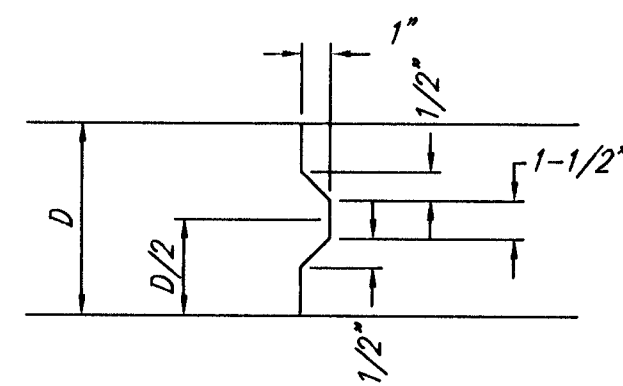
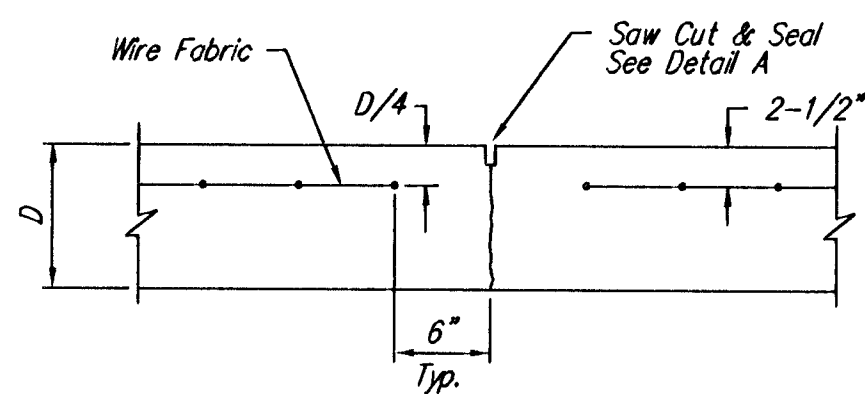


EXPANSION JOINT

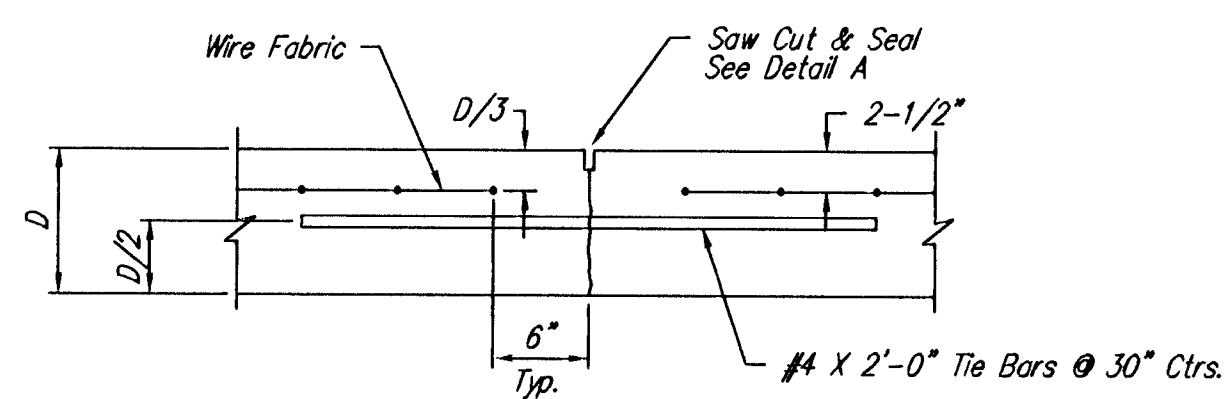
NOTE: Extra Thickness to be Subsidiary to Price of Square Yards Pavement



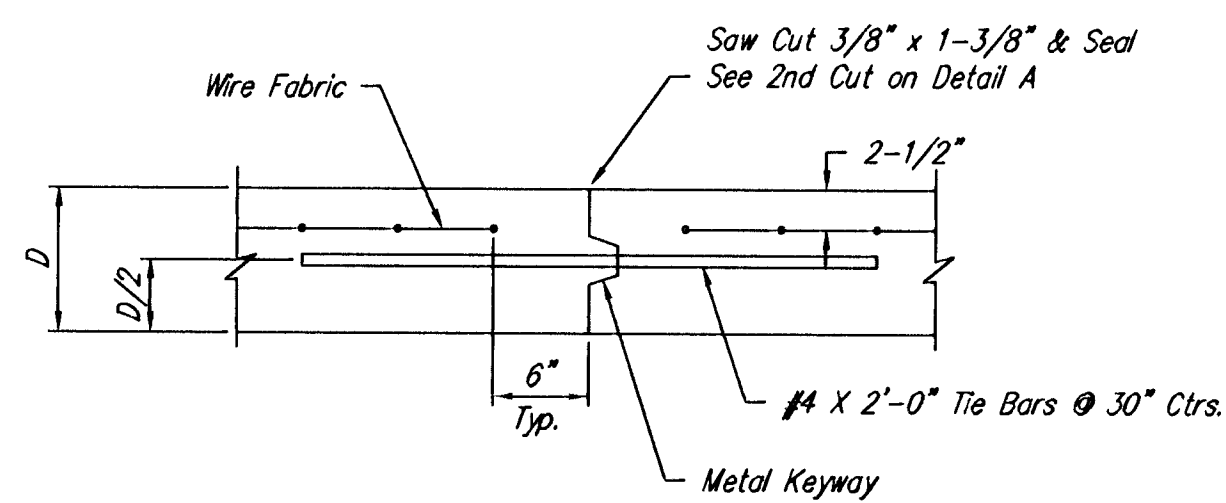
KEYWAY DETAIL



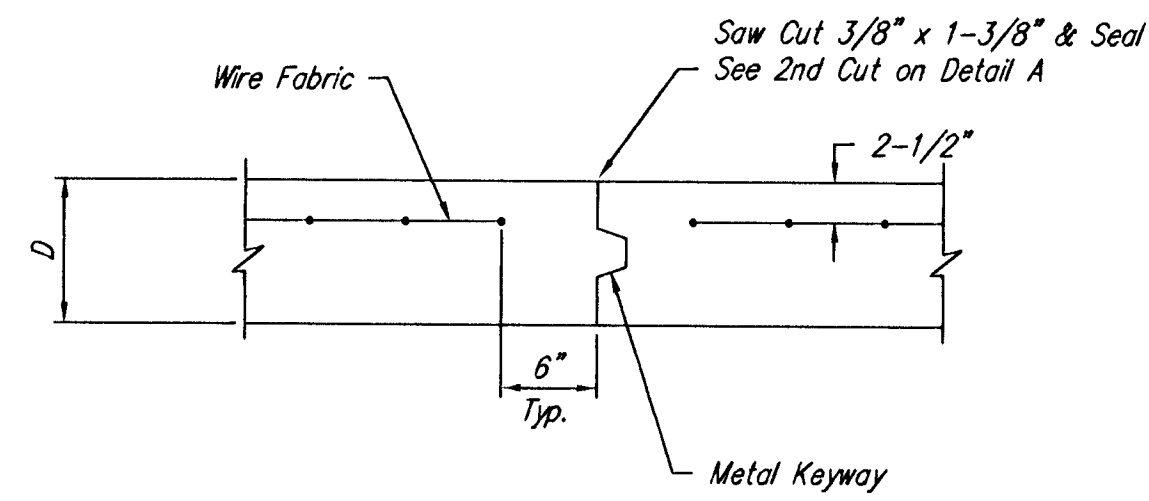
CONTRACTION JOINT DETAIL (C.J.)



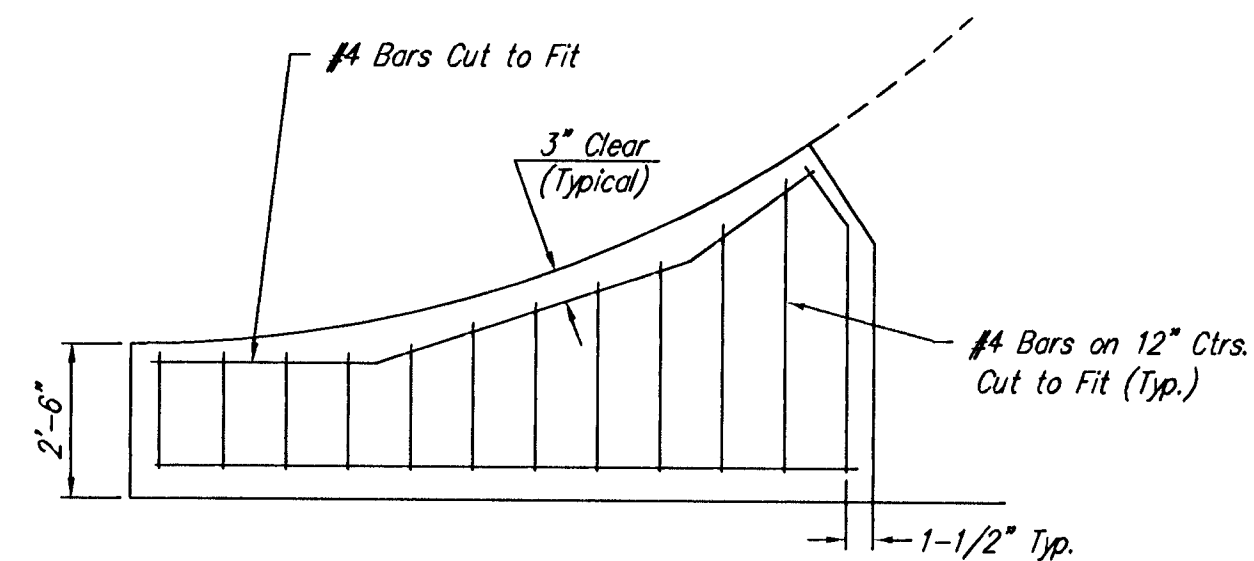
LONGITUDINAL JOINT DETAIL (L.J.)



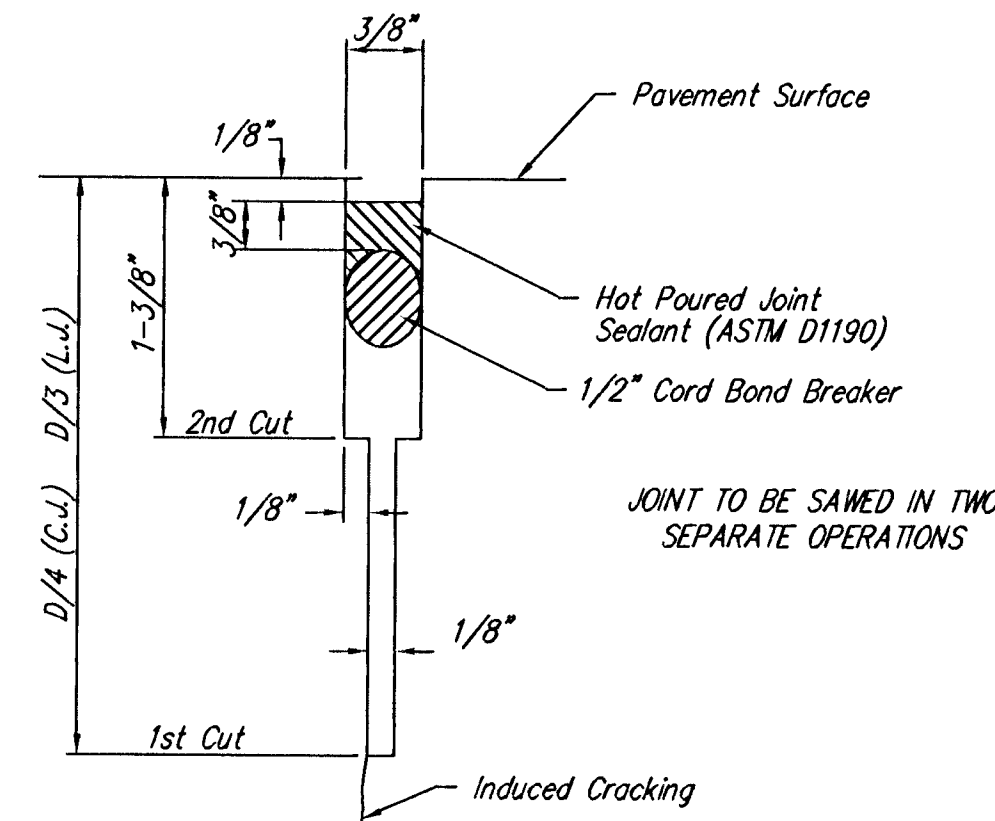
OPTIONAL LONGITUDINAL JOINT DETAIL (L.J.)



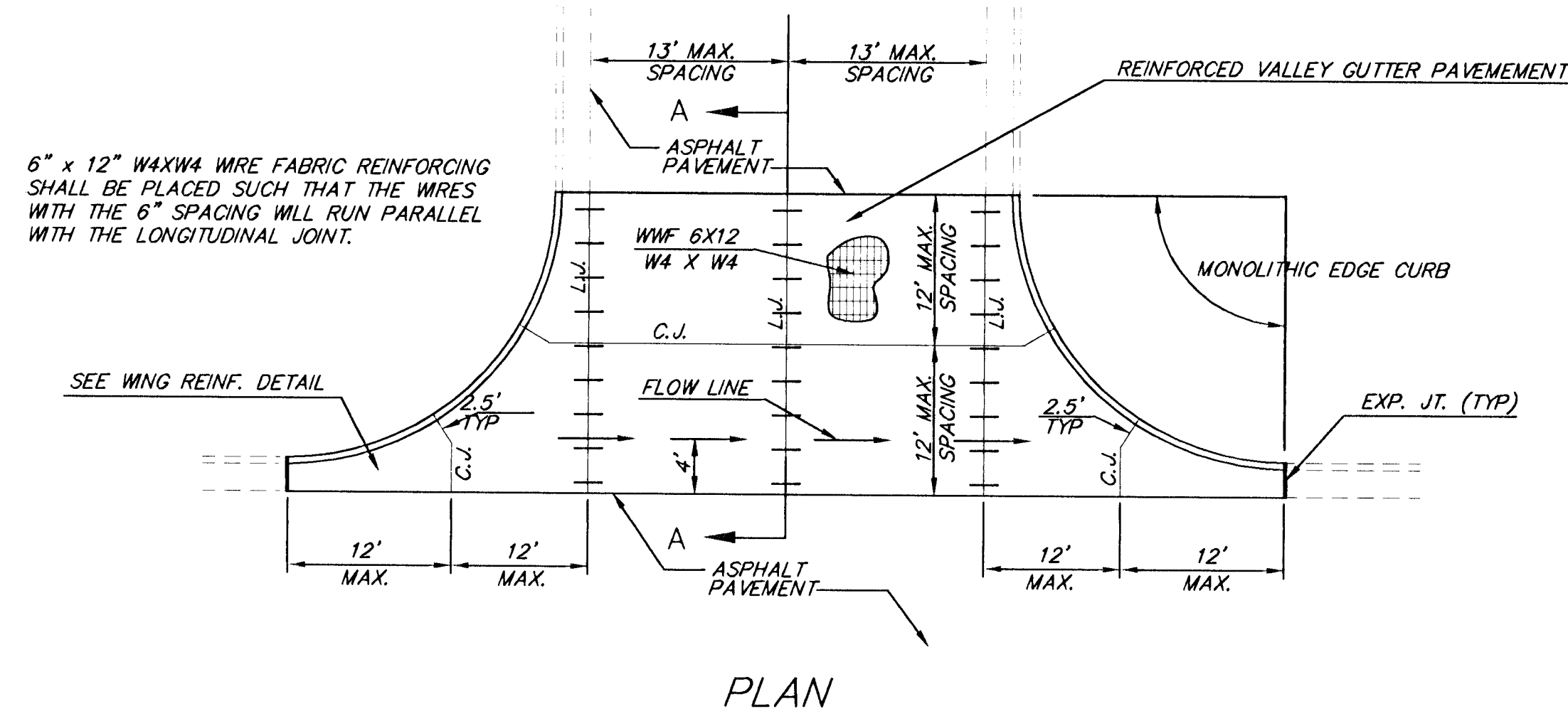
OPTIONAL CONTRACTION JOINT



WING REINFORCING DETAIL

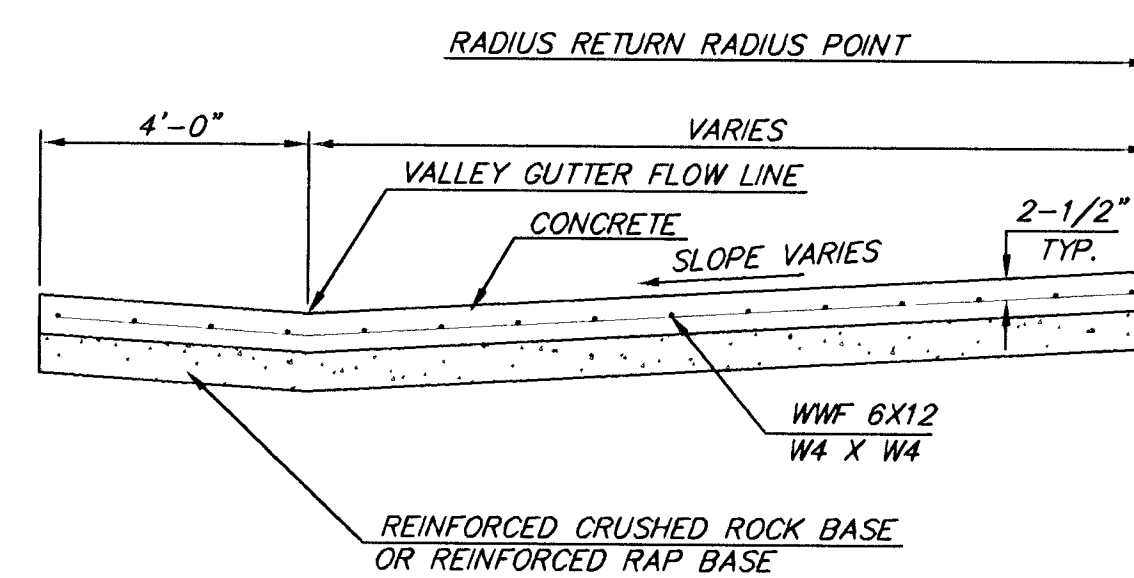


SAW JOINT DETAIL



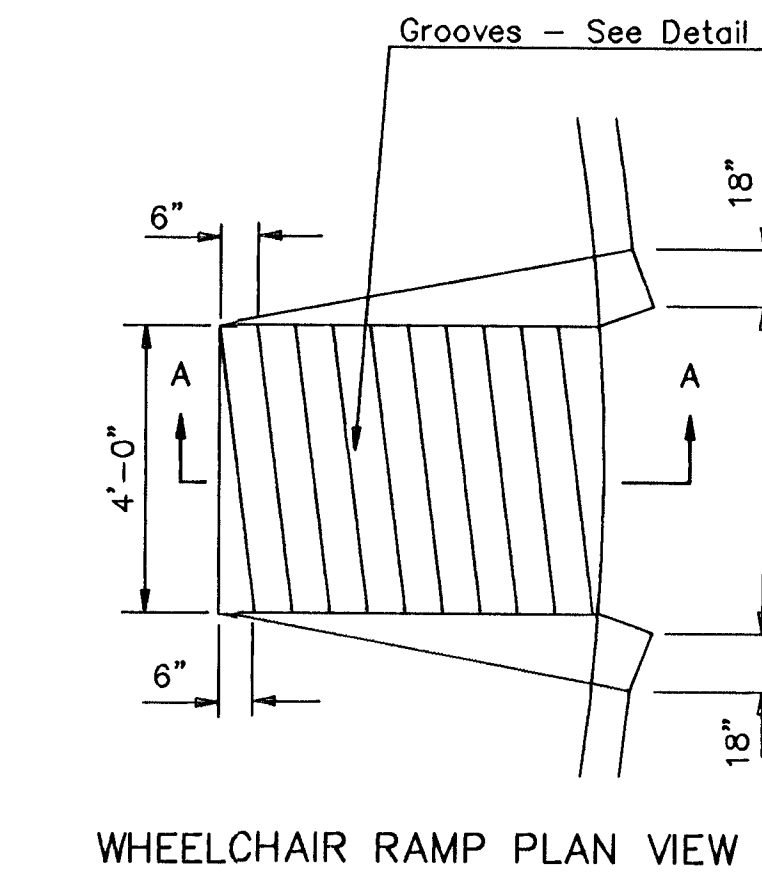
PLAN

6" x 12" WAXW4 WIRE FABRIC REINFORCING SHALL BE PLACED SUCH THAT THE WIRES WITH THE 6" SPACING WILL RUN PARALLEL WITH THE LONGITUDINAL JOINT.

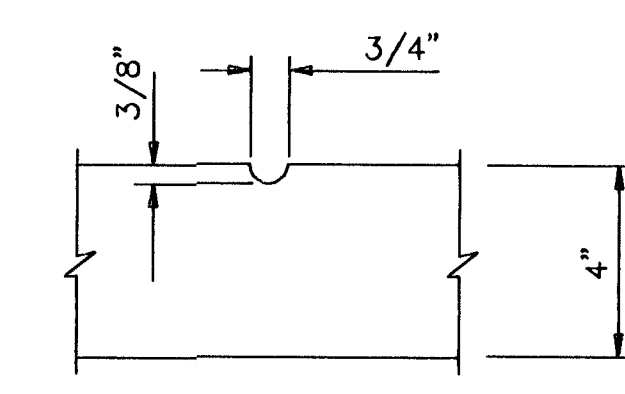


SECTION A-A

REINFORCED VALLEY GUTTER DETAIL

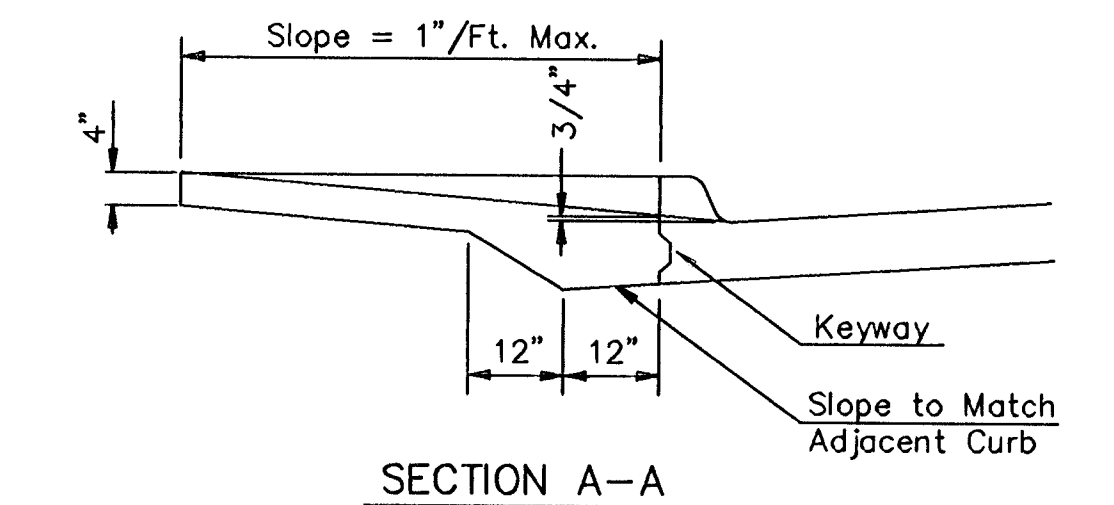


WHEELCHAIR RAMP PLAN VIEW

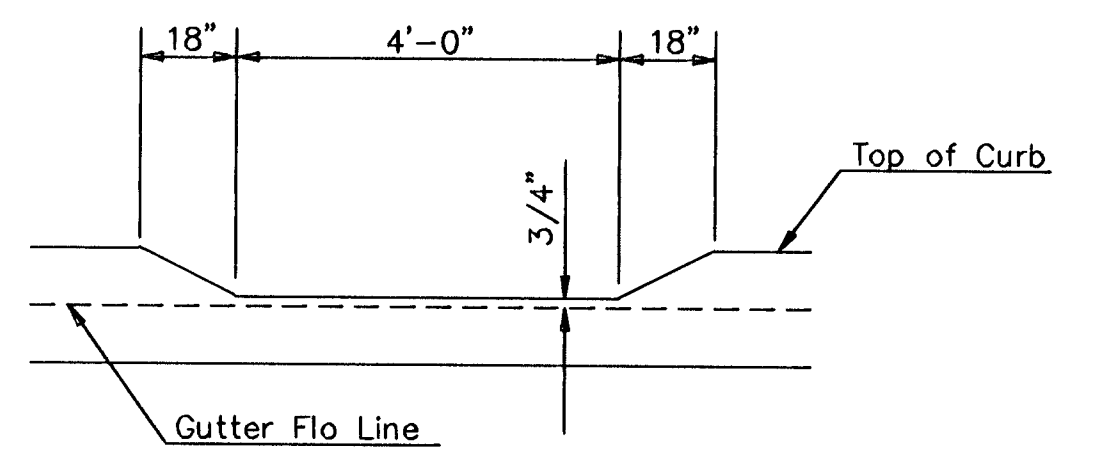


GROOVE DETAIL

WHEELCHAIR RAMP DETAIL



SECTION A-A



DEPRESSED CURB DETAIL

<p>THE CITY OF WICHITA</p>	VALLEY GUTTER DETAILS WHEELCHAIR RAMP DETAILS	
	M. E. LINDEBAK P.E. - CITY ENGINEER	
CITY ENGINEER'S OFFICE CITY HALL - SEVENTH FLOOR 455 NORTH MAIN STREET WICHITA, KANSAS 67202 (316) 268-4501 (316) 268-4114 FAX	PROJECT NUMBER 472 83149	INDEX CODE 765593
	DATE MAY 00	SHEET 9 OF 24