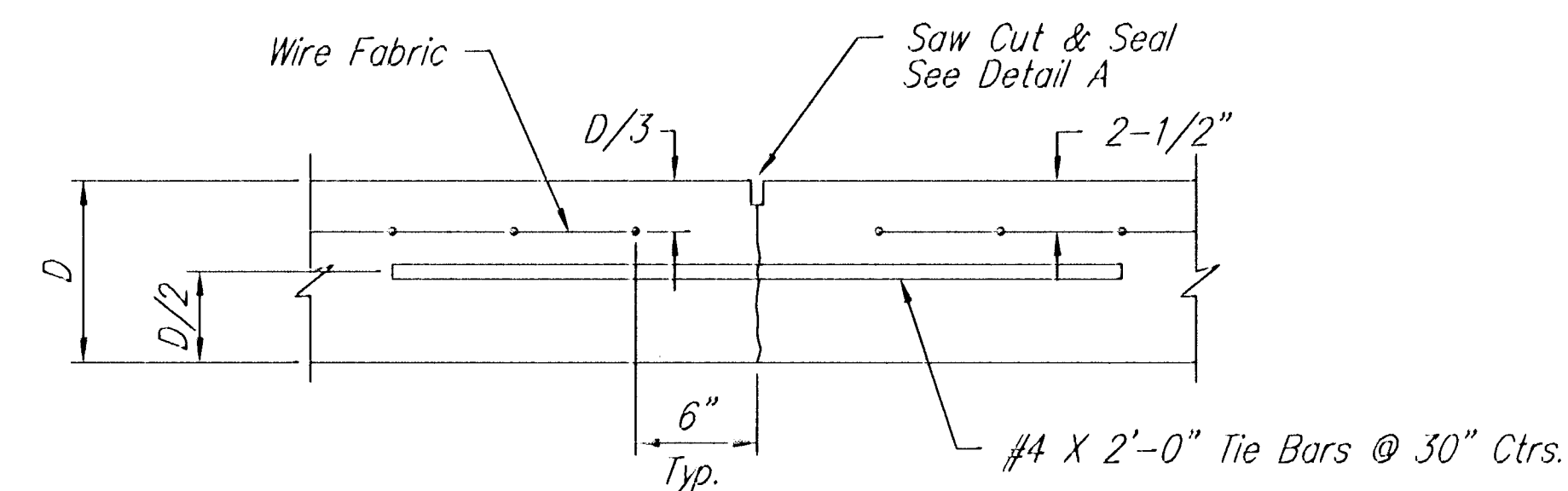
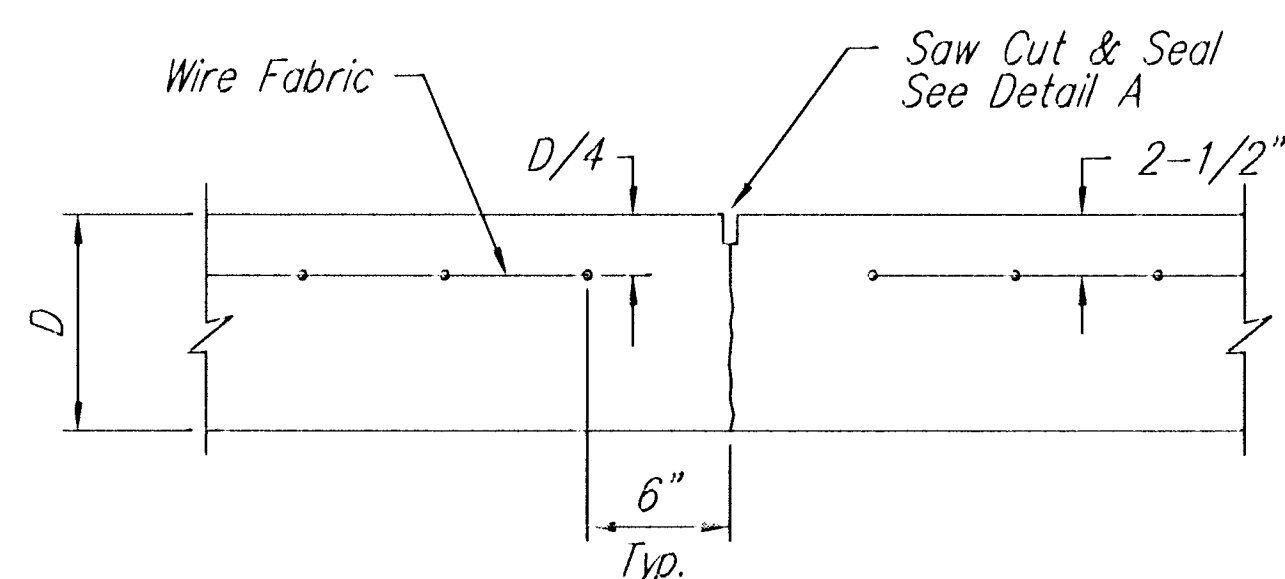


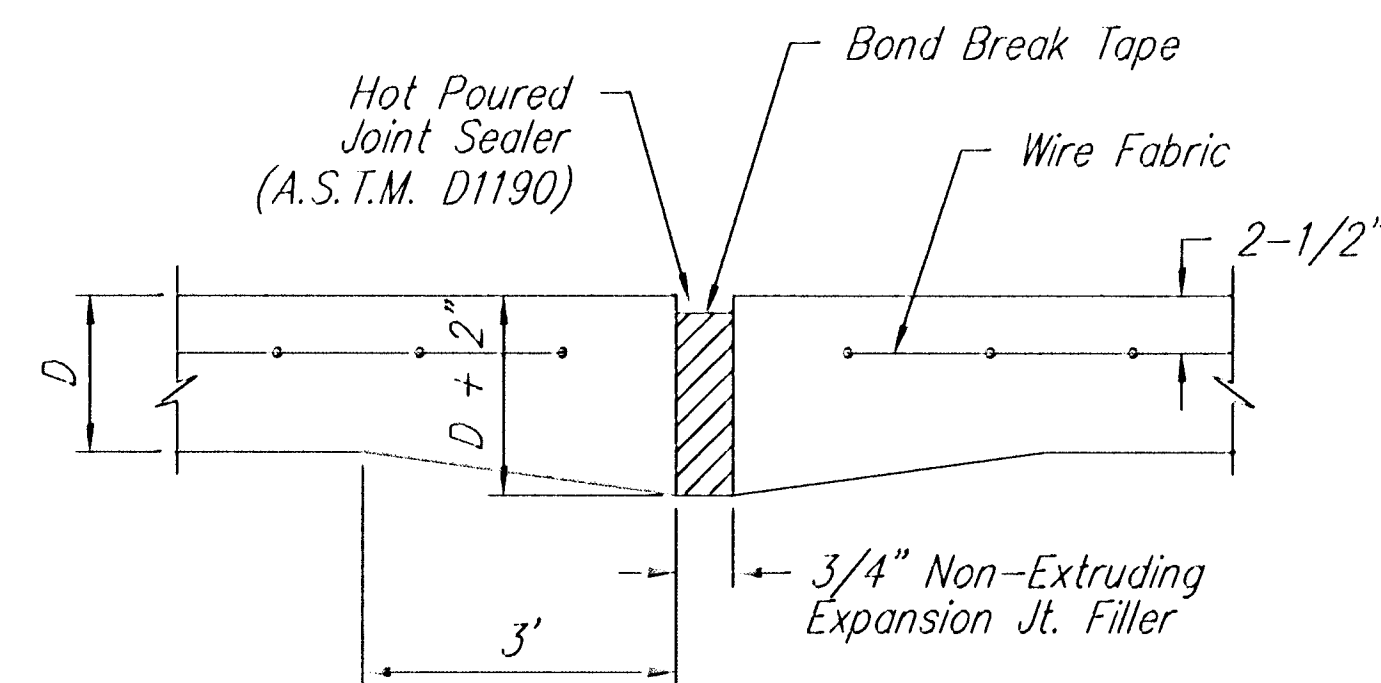
OPT. LONGITUDINAL JOINT DETAIL (L.J.)



LONGITUDINAL JOINT DETAIL (L.J.)

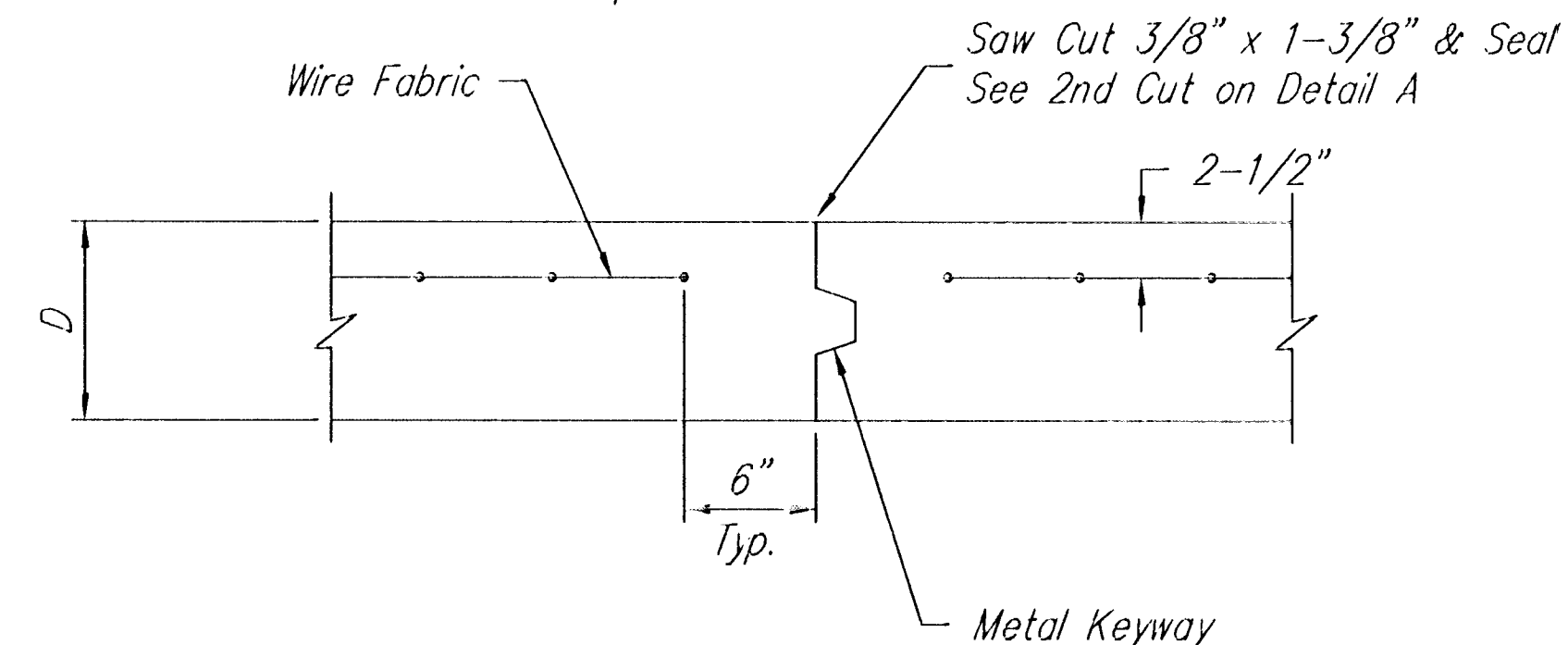


CONTRACTION JOINT DETAIL (C.J.)

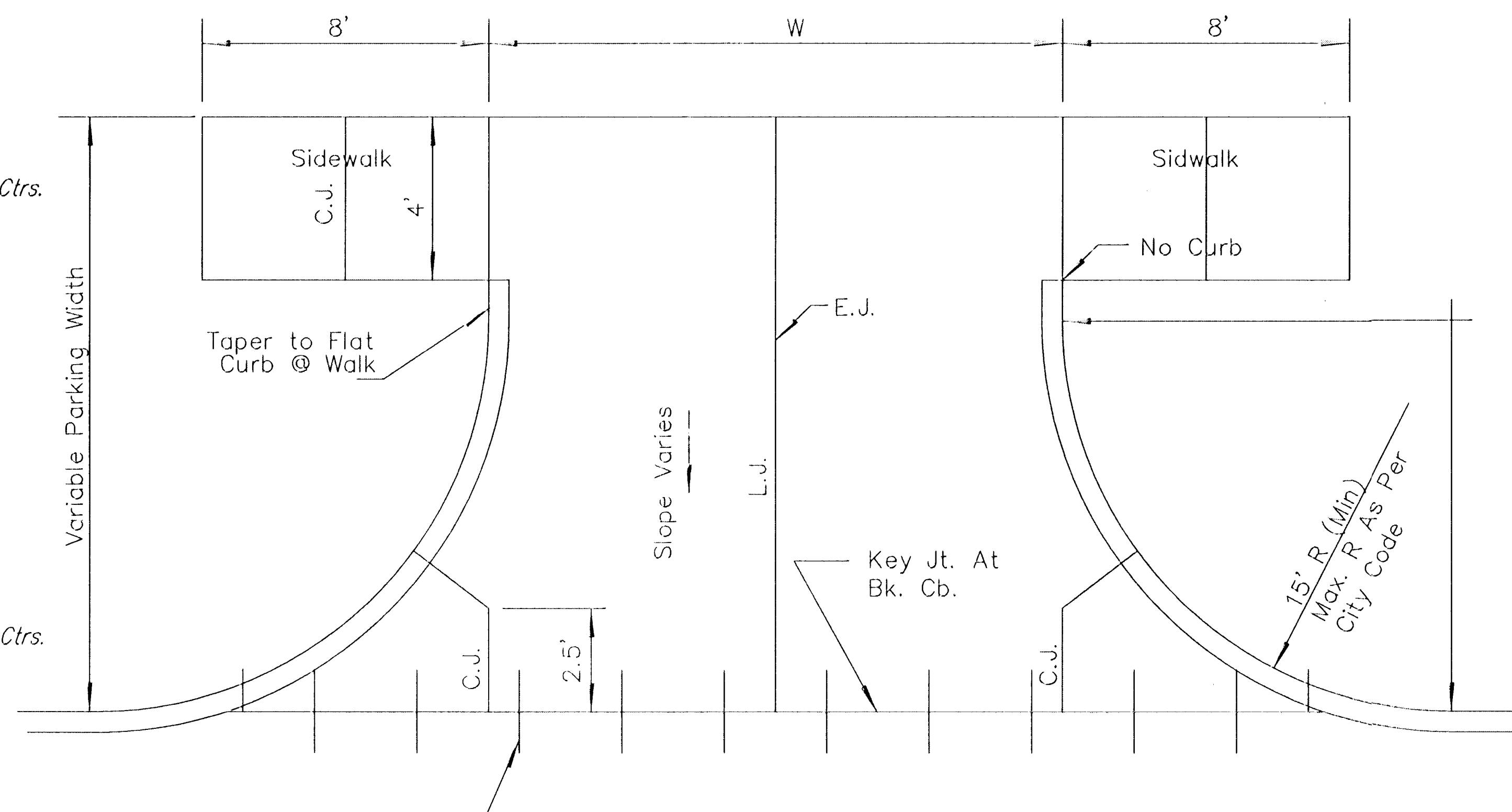


EXPANSION (ISOLATION) JOINT

NOTE: Extra Thickness to be Subsidiary to Price of Square Yards Pavement



OPTIONAL CONTRACTION JOINT

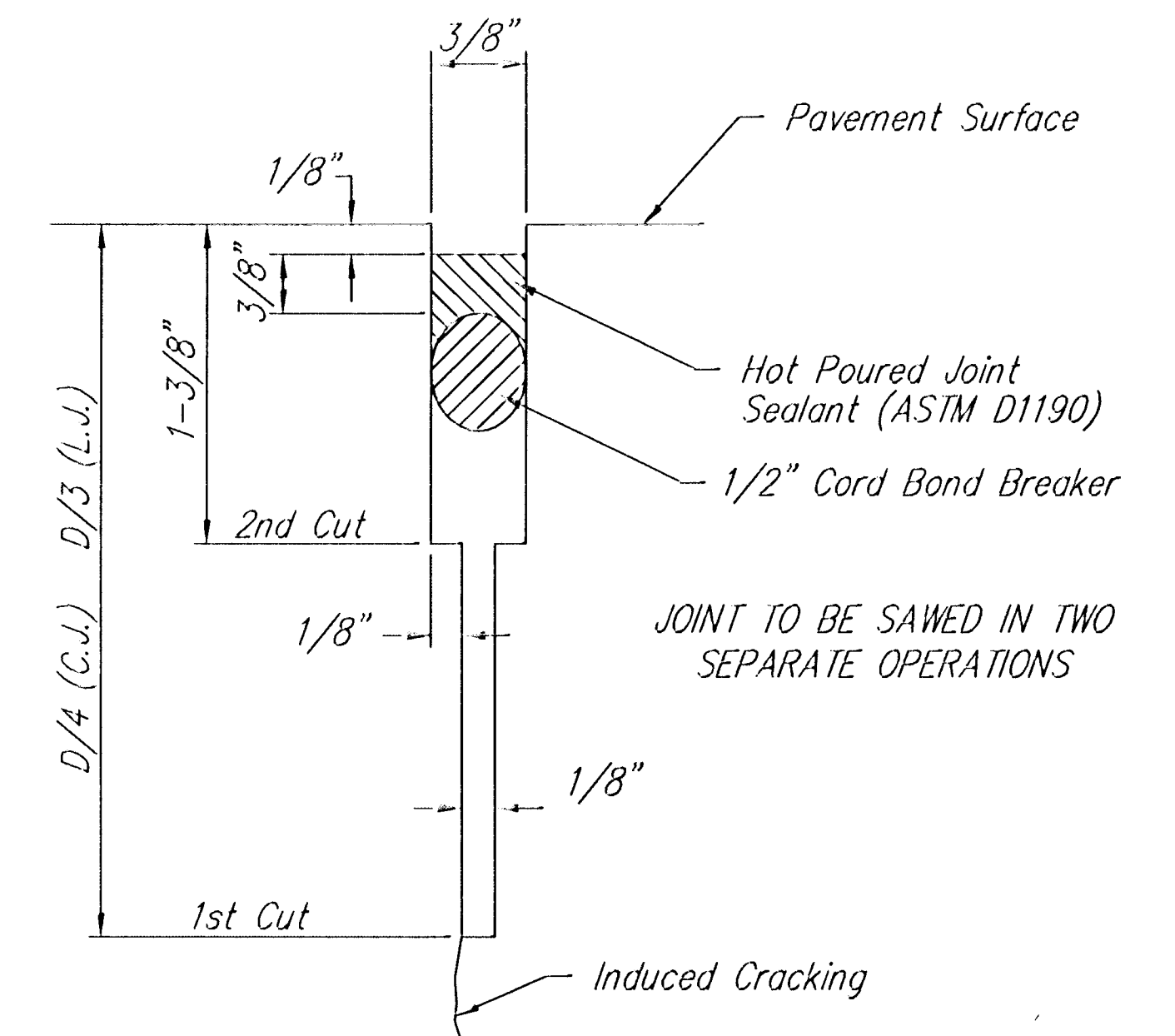


#4 Dowels 2' Long On 2.5' Ctrs.

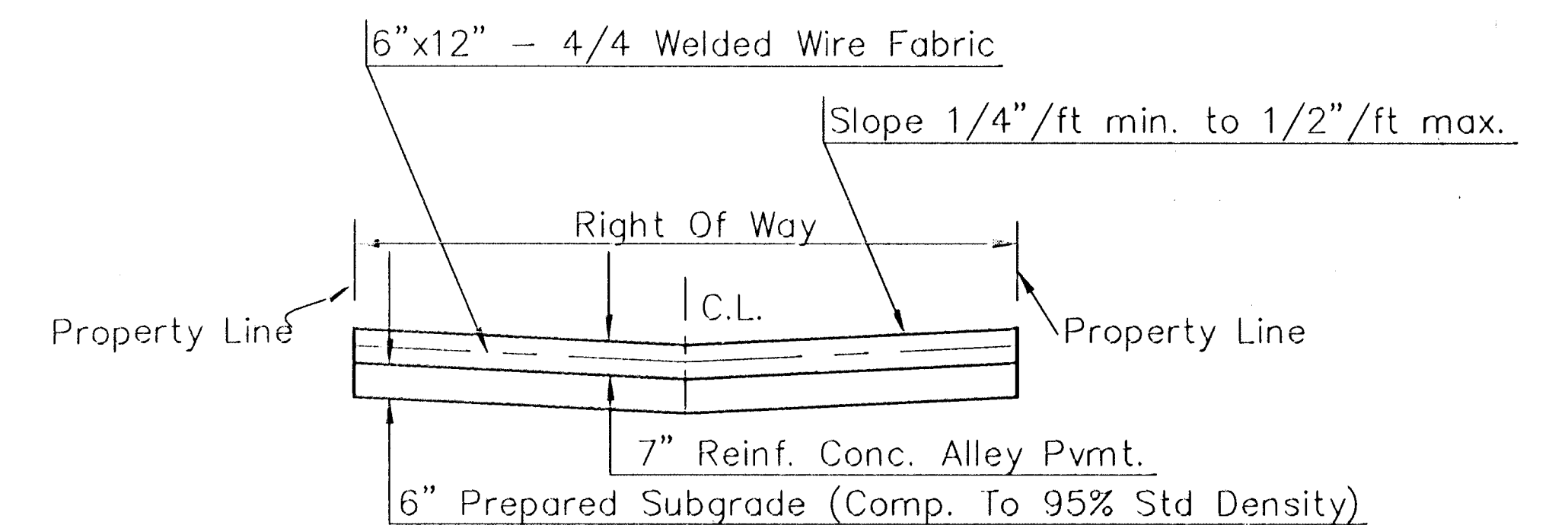
Use Ramp-Type Approach when distance between fc. wk. & bk. cb. is 8'-0" or less. Where parking width is 8'-0" or less ramp shall be constructed full width.

ALLEY APPROACH DETAIL

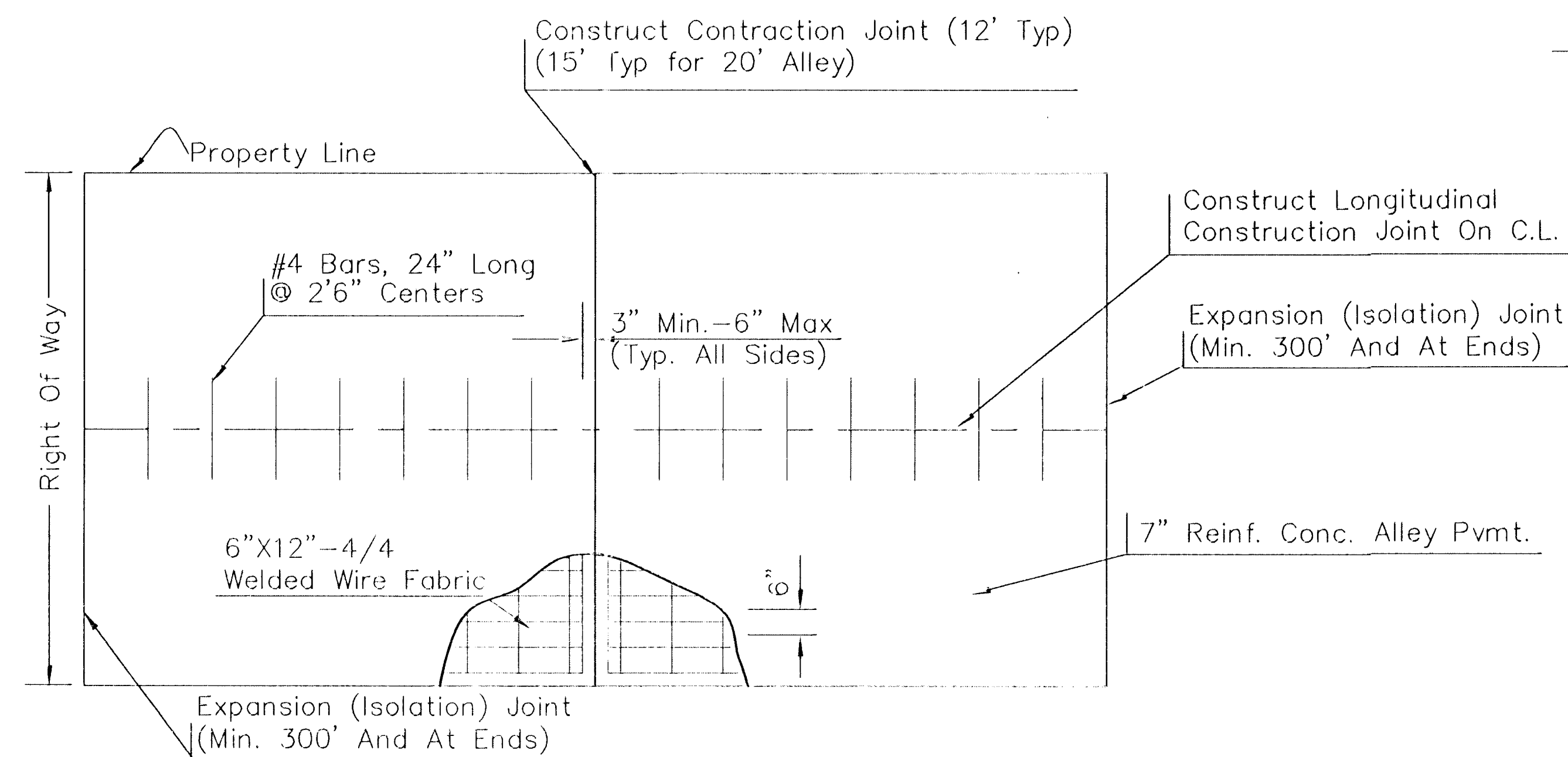
(NOT PART OF THIS PROJECT)



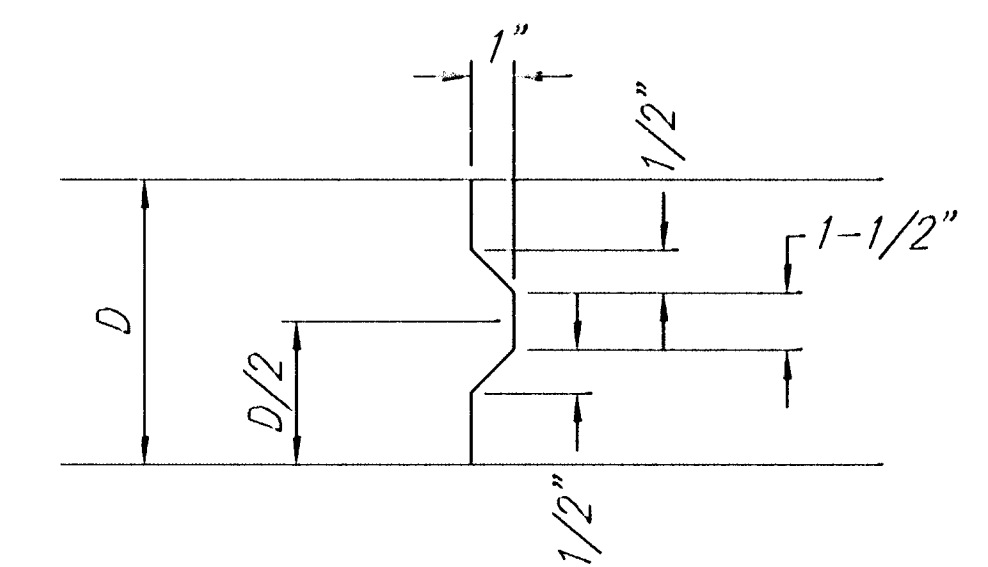
SAW JOINT DETAIL



TYPICAL PAVEMENT SECTION



SLAB REINFORCED DETAIL



KEYWAY DETAIL

<p>THE CITY OF WICHITA CITY ENGINEER'S OFFICE CITY HALL - SEVENTH FLOOR 405 NORTH MAIN STREET WICHITA, KANSAS 67202 (316) 268-1500 (316) 268-1114 FAX</p>	REINFORCED CONCRETE ALLEY PAVING	
	M. E. LINDBAK P.E. - CITY ENGINEER	
	PROJECT NUMBER 472-83421	INDEX CODE (785696)
	DATE SEP 01	SHEET 2 OF 4

REV. 1-31-01, MCG