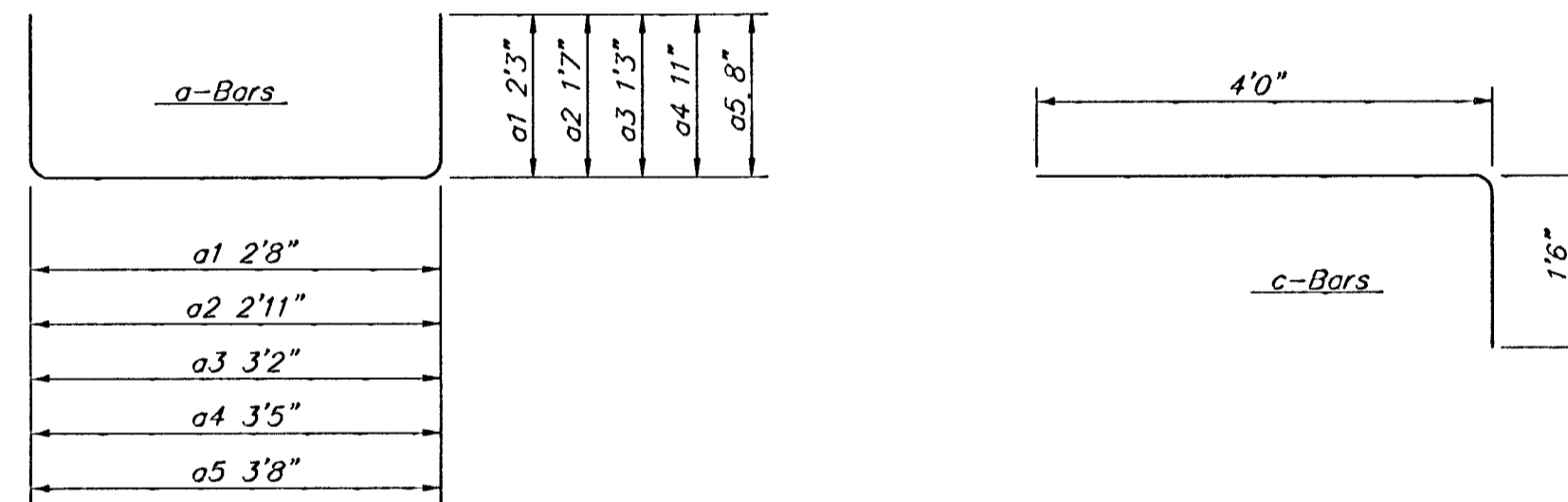
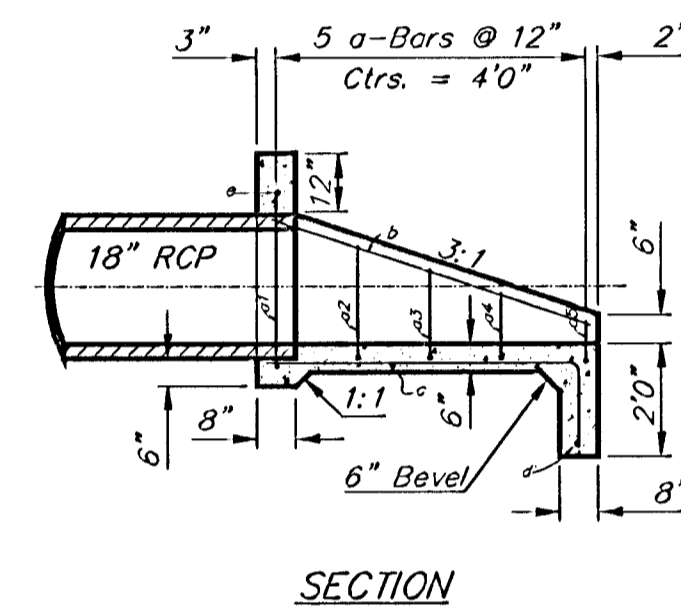
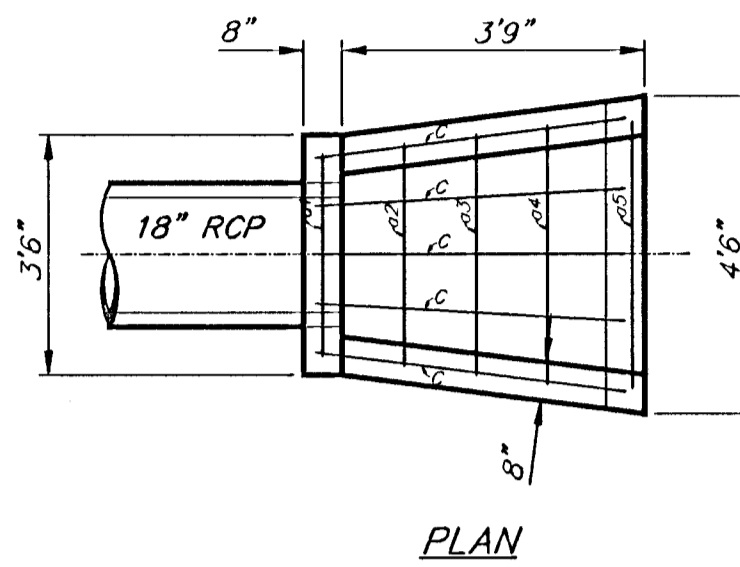


REBAR SCHEDULE

Bar	Shape	No.	Length	Weight
a1	U	1	9'5"	6.29
a2	U	1	7'7"	5.07
a3	U	1	7'2"	4.79
a4	U	1	6'9"	4.51
a5	U	1	6'4"	4.23
a6	U	1	6'1"	4.06
b1	—	2	2'9"	3.67
b2	—	2	5'10"	7.79
c	—	6	6'11"	27.72
d	—	1	5'0"	3.37
e	—	1	3'10"	2.56
Total Rebar			74.03 Lbs.	
Concrete			1.40 C.Y.	

A Deduction in Concrete Quantities Has Been Made for Pipe Openings Through the Headwall
 * Field Bend or Cut Reinforcing as Required for Clearance.
 All Concrete Reinforcement to be #4 Rebar
 All Rebar to Have Min. of 1 1/2" Conc. Cover

HEADWALL FOR 24" RCP

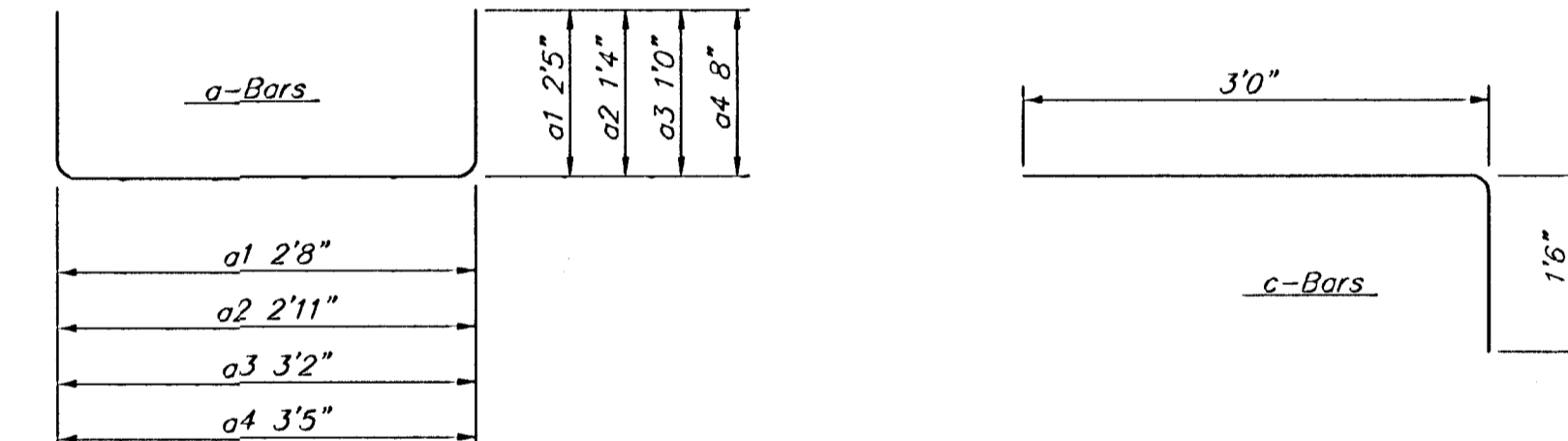
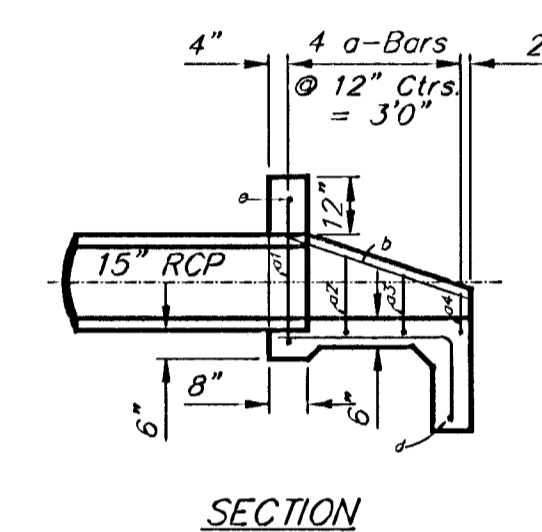
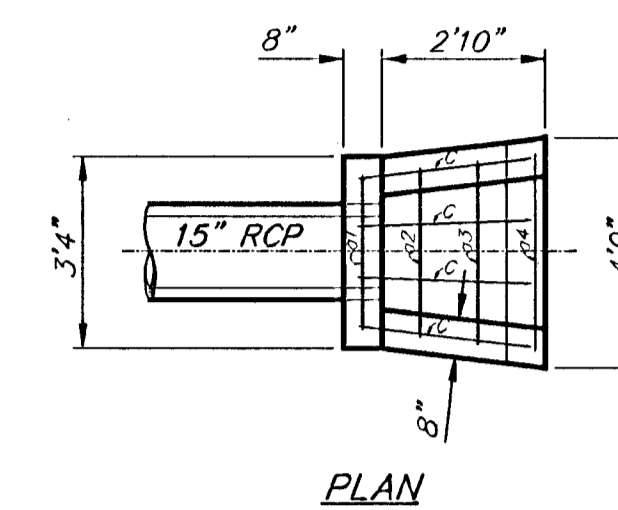


REBAR SCHEDULE

Bar	Shape	No.	Length	Weight
a1	U	1	7'2"	4.79
a2	U	1	6'1"	4.06
a3	U	1	5'8"	3.79
a4	U	1	5'3"	3.51
a5	U	1	5'0"	3.34
b	—	2	4'0"	5.34
c	—	5	5'6"	18.37
d	—	1	4'0"	2.67
e	—	1	3'2"	2.12
Total Rebar			47.99 Lbs.	
Concrete			0.91 C.Y.	

A Deduction in Concrete Quantities Has Been Made for Pipe Openings Through the Headwall
 * Field Bend or Cut Reinforcing as Required for Clearance.
 All Concrete Reinforcement to be #4 Rebar
 All Rebar to Have Min. of 1 1/2" Conc. Cover

HEADWALL FOR 18" RCP



REBAR SCHEDULE

Bar	Shape	No.	Length	Weight
a1	U	1	7'6"	5.01
a2	U	1	5'7"	3.73
a3	U	1	5'2"	3.45
a4	U	1	4'9"	3.17
b	—	2	4'0"	5.34
c	—	4	5'6"	14.70
d	—	1	3'5"	2.28
e	—	1	2'8"	1.78
Total Rebar			39.46 Lbs.	
Concrete			0.67 C.Y.	

A Deduction in Concrete Quantities Has Been Made for Pipe Openings Through the Headwall
 * Field Bend or Cut Reinforcing as Required for Clearance.
 All Concrete Reinforcement to be #4 Rebar
 All Rebar to Have Min. of 1 1/2" Conc. Cover

HEADWALL FOR 15" RCP

- GENERAL NOTES**
- ALL PIPES SHALL BE FLUSH CUT PRIOR TO BEING CAST INTO CONCRETE HEADWALL
 - CONCRETE USED IN HEADWALL CONSTRUCTION SHALL BE SAME AS PER CITY STANDARD PAVING MIX EXCEPT THAT IT SHALL HAVE A MINIMUM 28 DAY COMPRESSIVE STRENGTH OF 4000 PSI.
 - ALL EXPOSED EDGES SHALL BE BEVELED 1/2".
 - REINFORCING STEEL SHALL COMPLY TO A.S.T.M. DESIGNATION A615 GRADE 60. ALL DIMENSIONS RELATIVE TO REINFORCING STEEL ARE TO CENTERLINE OF BAR UNLESS OTHERWISE NOTED.
 - THE "REIN. CONC. HEADWALL" SHALL BE PAID FOR AT THE UNIT PRICE BID PER EACH IN PLACE WHICH SHALL INCLUDE ALL LABOR, MATERIALS, EXCAVATION, CONCRETE, REINFORCING STEEL AND ALL OTHER INCIDENTAL ITEMS NECESSARY TO COMPLETE THE WORK. MATERIAL QUANTITIES SHOWN ARE FOR INFORMATION ONLY.

HEADWALL DETAIL

BAUGHMAN COMPANY P.A.
 ENGINEERING, SURVEYING, & PLANNING
 316-262-7271 • 315 ELLIS • WICHITA, KANSAS

DESIGN	DRAWN	APPROVED	DATE	SCALE	LET
BLP/DWV	JAK		07-01	NONE	10
					17

00-05-E221
JHW/act