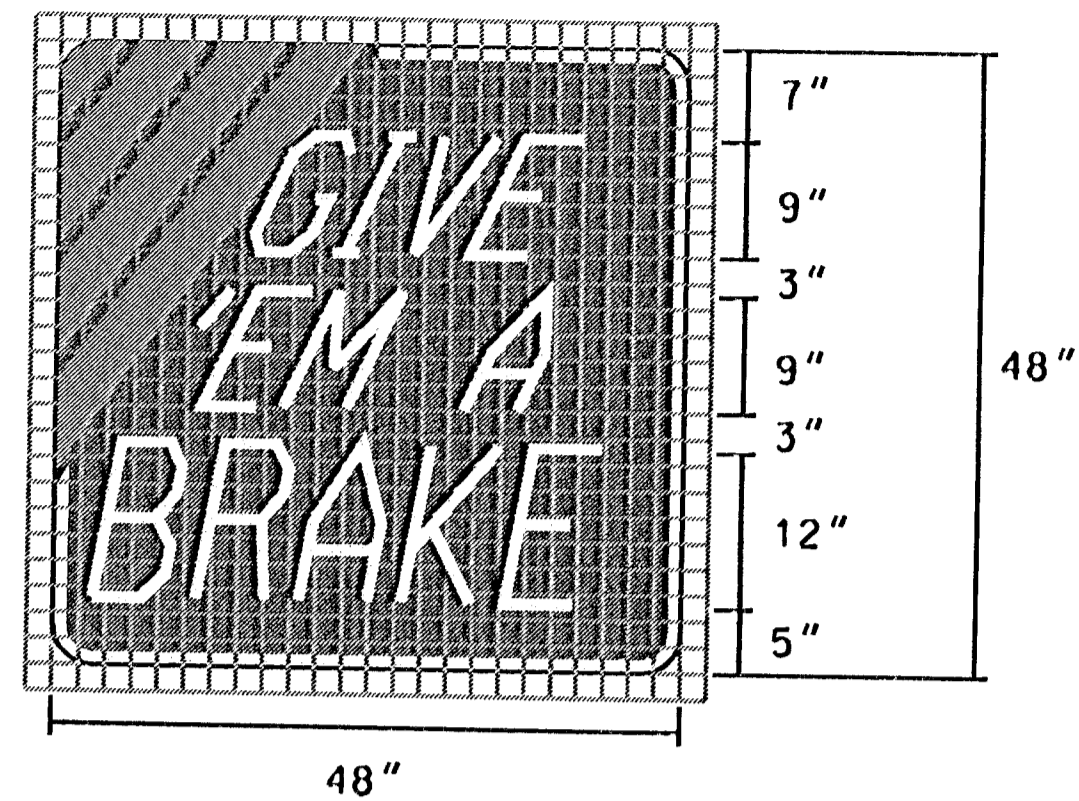


STATE	PROJECT NO.	YEAR	SHEET NO.	TOTAL SHEETS
KANSAS	US 54/US 400 87 U-2031-01	2008	3	3



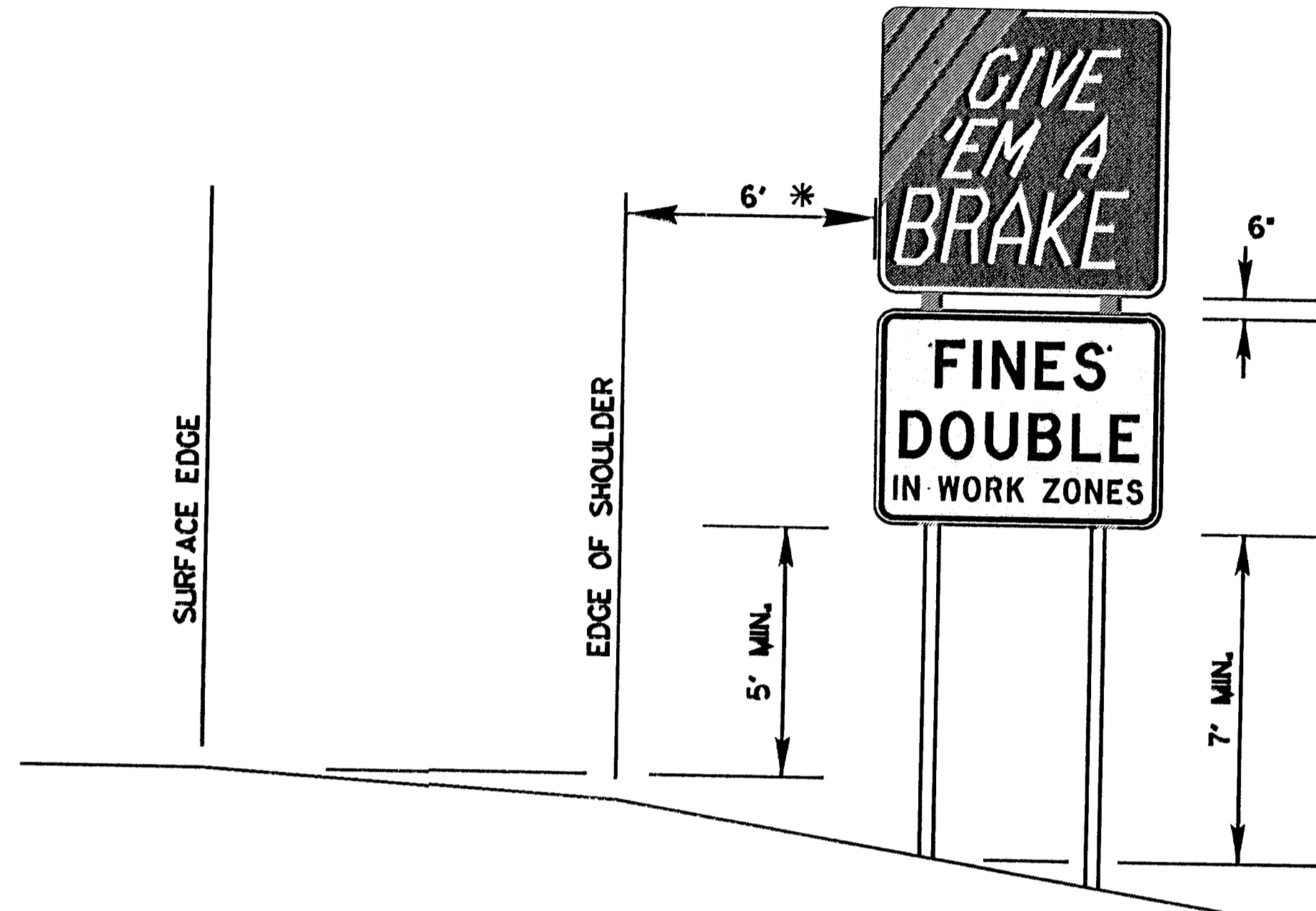
COLORS:
 BACKGROUND - BLACK
 BORDER - WHITE
 LEGEND - WHITE
 STRIPES - ORANGE

BORDER WIDTH - 1"
 STRIPE WIDTH - 4"
 CORNER RADIUS - 3"

LEGEND:
 " GIVE " - DUTCH 801 ROMAN SWC - 25 DEGREE SLANT
 " 'EM A " - DUTCH 801 ROMAN SWC - 25 DEGREE SLANT
 " BRAKE " - DUTCH 801 ROMAN SWC - 10 DEGREE SLANT

* If there is no shoulder, the sign shall be placed 6' - 12' from the surface edge. If the sign is located in a business, commercial, or residential area where parking and/or pedestrian movement is likely to occur, the minimum lateral clearance from the surface edge of 6' may be reduced to 2'. If there is no feasible location, the sign may be eliminated with the approval of the Engineer.
 In business, commercial, and residential districts, the distance between the bottom of the sign and the top of the near edge of traveled way shall be at least 6'.

HEIGHT AND LATERAL PLACEMENT



GENERAL NOTES

The sign blank material shall be aluminum, wood, or fiberglass reinforced plastic.

The orange portion of the 1104 sign shall be fluorescent orange prismatic grade retroreflective sheeting. The white portion shall be white Type III high performance retroreflective sheeting.

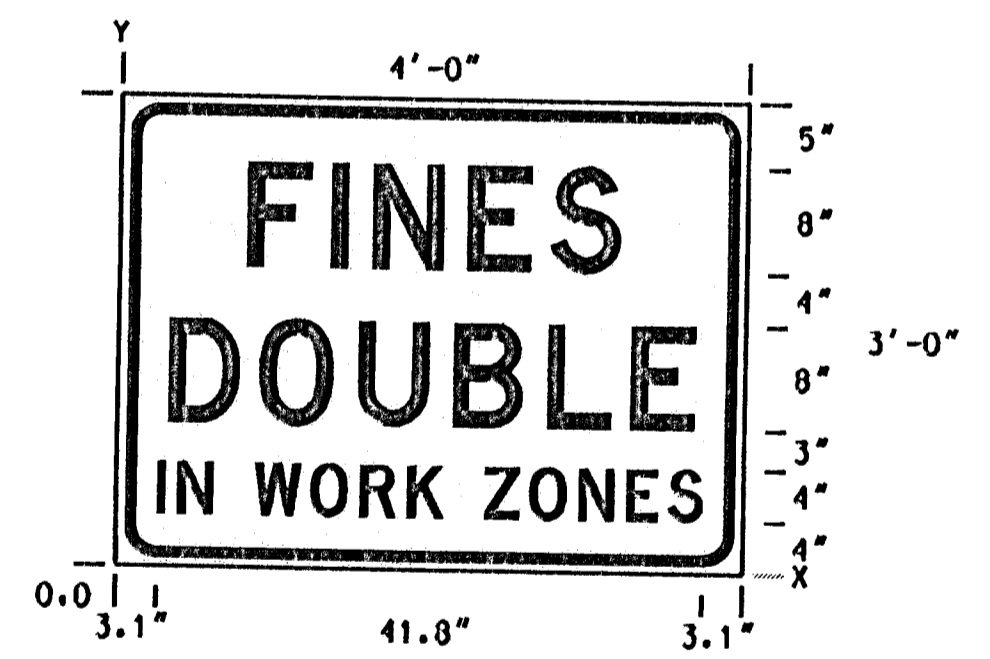
The 1105 sign face shall be covered with Type III high performance retroreflective sheeting.

The signs are to be erected to yield upon impact. Guy wires and tie-downs are not allowed.

Typically, there are to be two sets of informational signs erected per project; one for each direction of traffic.

Install signs a minimum of 250 ft in advance of the Road Work Ahead sign. The Engineer may designate a more appropriate location if conditions dictate.

The informational signs are not to interfere with the traffic control signs for the project.



SIGN NUMBER	FINES DOUBLE
WIDTH x HEIGHT	4'-0" x 3'-0"
BORDER WIDTH	0.9"
CORNER RADIUS	3.0"
MOUNTING	GROUND
BACKGROUND	TYPE: REFLECTIVE
	COLOR: WHITE
LEGEND/BORDER	TYPE: NON-REFLECTIVE
	COLOR: BLACK

DIMENSIONS IN INCHES

SPACINGS ARE TO START OF NEXT LETTER

Y	LETTER SPACINGS													HT			
FONT														LEN			
23.0	FINE S													8.0			
D	9.7	6.4	3.2	7.3	6.4	5.4	9.7										
11.0	DOUBLE													8.0			
D	3.9	6.9	7.5	7.3	7.3	6.4	4.9	3.9									
4.0	IN WORK ZONES													4.0			
D	3.1	1.6	2.7	3.2	4.3	3.8	3.6	2.8	3.2	3.4	3.8	3.6	3.2	2.7	3.1		41.8

All dimensions are in feet and inches.

3				
2				
1	2-1-05	NEW REVISED ('GIVE 'EM A BRAKE')	BJL	AJA
NO.	DATE	REVISIONS	BY	APPD

KANSAS DEPARTMENT OF TRANSPORTATION
 DETAILS FOR
 1104 ("GIVE 'EM A BRAKE") SIGN
 AND 1105 ("FINES DOUBLE") SIGN
 TE714 9/1/00

THIS APPROVAL 2-1-2005 APPD Anthony A. Arbolino
 DESIGNED BY BJA LIT/ENR BJA LIT/ENR
 CHECKED BY BJA LIT/ENR BJA LIT/ENR
 DRAWN BY BJA LIT/ENR BJA LIT/ENR

Plotted By: s...
 Plot File: s...
 Plot Date: 1...