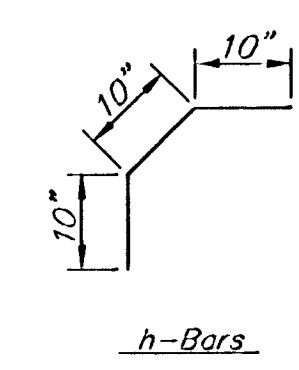
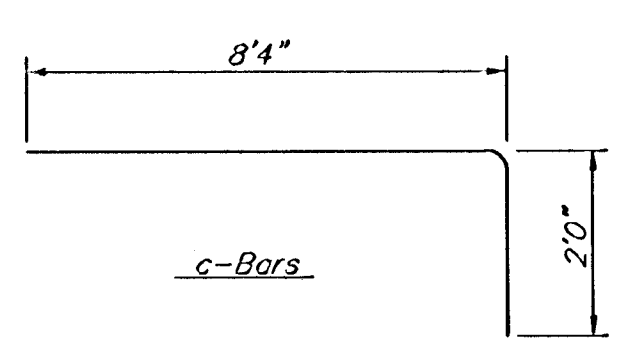


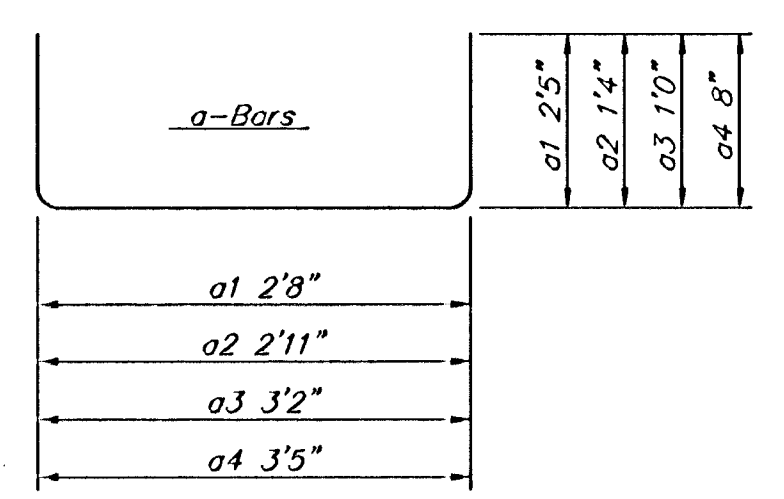
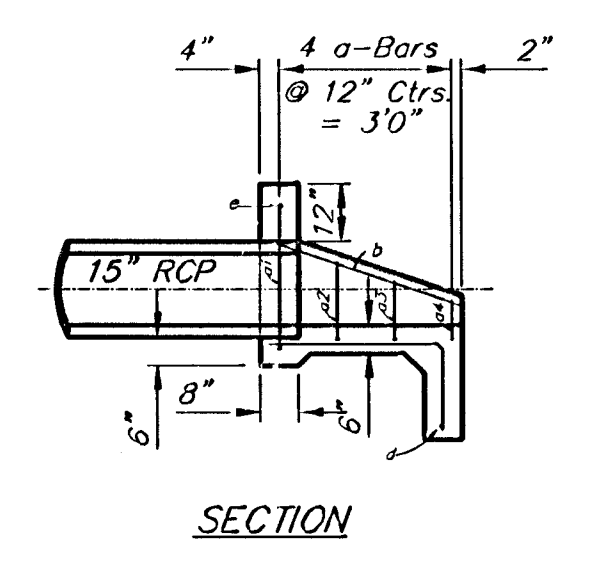
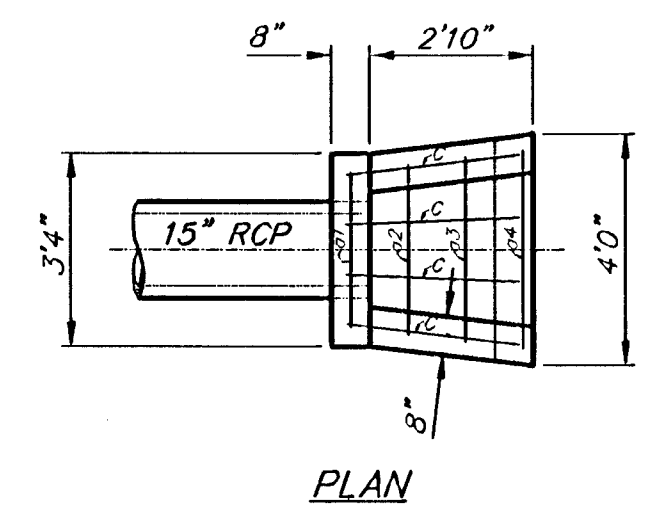
REBAR SCHEDULE

Bar	Shape	No.	Length	Weight
a1	U	1	14'0"	9.35
a2	U	1	11'10"	7.90
a3	U	1	11'3"	7.52
a4	U	1	10'10"	7.24
a5	U	1	10'5"	6.96
a6	U	1	10'0"	6.68
a7	U	1	9'7"	6.40
a8	U	1	9'0"	6.01
a9	U	1	8'7"	5.73
b1	U	2	8'5"	11.24
b2	U	2	4'7"	6.12
b3	U	2	9'0"	12.02
c	U	6	10'4"	41.42
d1	U	4	1'6"	4.01
d2	U	4	10"	2.23
e	U	3	5'4"	10.69
f	U	4	3'0"	8.02
g	U	2	7'0"	9.35
h	U	6	2'6"	10.02
Total Rebar			178.91 Lbs.	
Concrete			3.20 C.Y.	

A Deduction in Concrete Quantities Has Been Made for Pipe Openings Through the Headwall
 * Field Bend or Cut Reinforcing as Required for Clearance.
 All Concrete Reinforcement to be #4 Rebar
 All Rebar to Have Min. of 1 1/2" Conc. Cover



HEADWALL FOR 36" RCP



REBAR SCHEDULE

Bar	Shape	No.	Length	Weight
a1	U	1	7'6"	5.01
a2	U	1	5'7"	3.73
a3	U	1	5'2"	3.45
a4	U	1	4'9"	3.17
b	U	2	4'0"	5.34
c	U	4	5'6"	14.70
d	U	1	3'5"	2.28
e	U	1	2'8"	1.78
Total Rebar			39.46 Lbs.	
Concrete			0.67 C.Y.	

A Deduction in Concrete Quantities Has Been Made for Pipe Openings Through the Headwall
 * Field Bend or Cut Reinforcing as Required for Clearance.
 All Concrete Reinforcement to be #4 Rebar
 All Rebar to Have Min. of 1 1/2" Conc. Cover

- GENERAL NOTES**
- ALL PIPES SHALL BE FLUSH CUT PRIOR TO BEING CAST INTO CONCRETE HEADWALL.
 - CONCRETE USED IN HEADWALL CONSTRUCTION SHALL BE SAME AS PER CITY STANDARD PAVING MIX EXCEPT THAT IT SHALL HAVE A MINIMUM 28 DAY COMPRESSIVE STRENGTH OF 4000 PSI.
 - ALL EXPOSED EDGES SHALL BE BEVELED 1/2".
 - REINFORCING STEEL SHALL COMPLY TO A.S.T.M. DESIGNATION A615 GRADE 60. ALL DIMENSIONS RELATIVE TO REINFORCING STEEL ARE TO CENTERLINE OF BAR UNLESS OTHERWISE NOTED.
 - THE "REIN. CONC. HEADWALL" SHALL BE PAID FOR AT THE UNIT PRICE BID PER EACH IN PLACE WHICH SHALL INCLUDE ALL LABOR, MATERIALS, EXCAVATION, CONCRETE, REINFORCING STEEL AND ALL OTHER INCIDENTAL ITEMS NECESSARY TO COMPLETE THE WORK. MATERIAL QUANTITIES SHOWN ARE FOR INFORMATION ONLY.

HEADWALL FOR 15" RCP

	HEADWALL DETAIL	
	<small>Baughman Company, P.A. 315 Ellis St. Wichita, KS 67211 P 316-262-7271 F 316-262-0149 ENGINEERING SURVEYING PLANNING LANDSCAPE ARCHITECTURE</small>	
PROJECT NUMBER	DESIGN	DRAWN
	BLP/DMV	JAK
REVISIONS	APPROVED	DATE
		01/06
	SCALE	
	Noted	
	SHEET	
		24 OF 44