
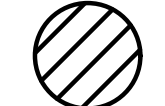
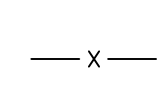
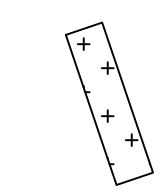
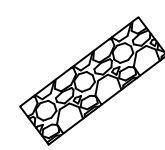
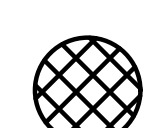


File: L:\2020\20T41009 - Cedar Creek Phase 2\Drawings\C3D\Storm Sewer\EROSION CONTROL PLAN.dwg Last Save: 1/4/2022 11:39 AM Last saved by: CDJurey
 Last plotted by: Jurey, Caleb D. Plot Style: --- Plot Scale: 1:2,5849 Plot Date: 1/4/2022 1:47 PM Plotter used: None



-  INSTALL Curb Inlet Protection (6 Ea.)
-  INSTALL Drop Inlet Protection (13 Ea.)
-  INSTALL Silt Fence (3,760 L.F.)
-  INSTALL Curlex Blanket (185 S.Y.)
-  MAINTAIN Construction Entrance (1 Ea.)
-  MAINTAIN Curb Inlet Protection (2 Ea.)

GARVER
 © 2021 GARVER, LLC
 THIS DOCUMENT, ALONG WITH THE IDEAS AND DESIGNS CONVEYED HEREIN, SHALL BE CONSIDERED INSTRUMENTS OF PROFESSIONAL SERVICE AND ARE PROPERTY OF GARVER, LLC. ANY USE, REPRODUCTION, OR DISTRIBUTION OF THIS DOCUMENT, ALONG WITH THE IDEAS AND DESIGN CONTAINED HEREIN, IS PROHIBITED UNLESS AUTHORIZED IN WRITING BY GARVER, LLC OR EXPLICITLY ALLOWED IN THE GOVERNING PROFESSIONAL SERVICES AGREEMENT FOR THIS WORK.

8535 E. 21st Street N.
 Suite 130
 Wichita, KS 67206
 (316) 264-8008



REV.	DATE	DESCRIPTION	BY



CITY OF WICHITA
 WICHITA, KANSAS
 CEDAR CREEK ADD,
 PHASE 2 - SANITARY

EROSION CONTROL PLAN

JOB NO.: 20T41009
 DATE: JAN 2022
 DESIGNED BY: CMB
 DRAWN BY: MCP

BAR IS ONE INCH ON ORIGINAL DRAWING
 0 1" IF NOT ONE INCH ON THIS SHEET, ADJUST SCALES ACCORDINGLY.

DRAWING NUMBER
