

**PLANS FOR**  
**MACDONALD GOLF COURSE DRAINAGE IMPROVEMENTS**  
**WICHITA, KS**

©2022  
MKEC Engineering  
All Rights Reserved  
www.mkec.com  
These drawings and their contents, including, but not limited to, all concepts, designs, & ideas are the exclusive property of MKEC Engineering (MKEC), and may not be used or reproduced in any way without the express consent of MKEC.

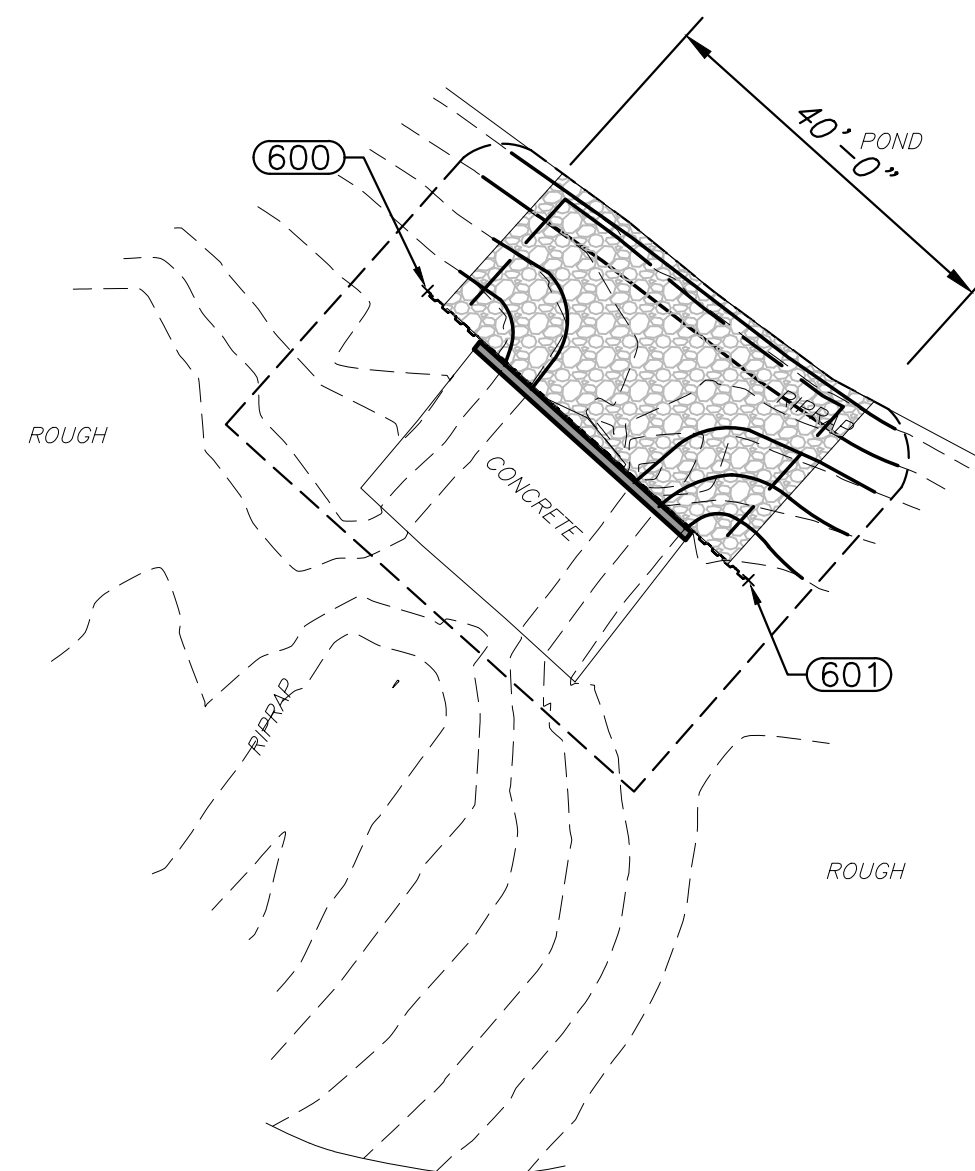
**BUBBLE MAP**

PROJECT NO.		
DATE	DATE	
SCALE	1"=20'	
DESIGNED	DRAWN	CHECKED
JRA	DM	JRA
NO.	REVISION	DATE

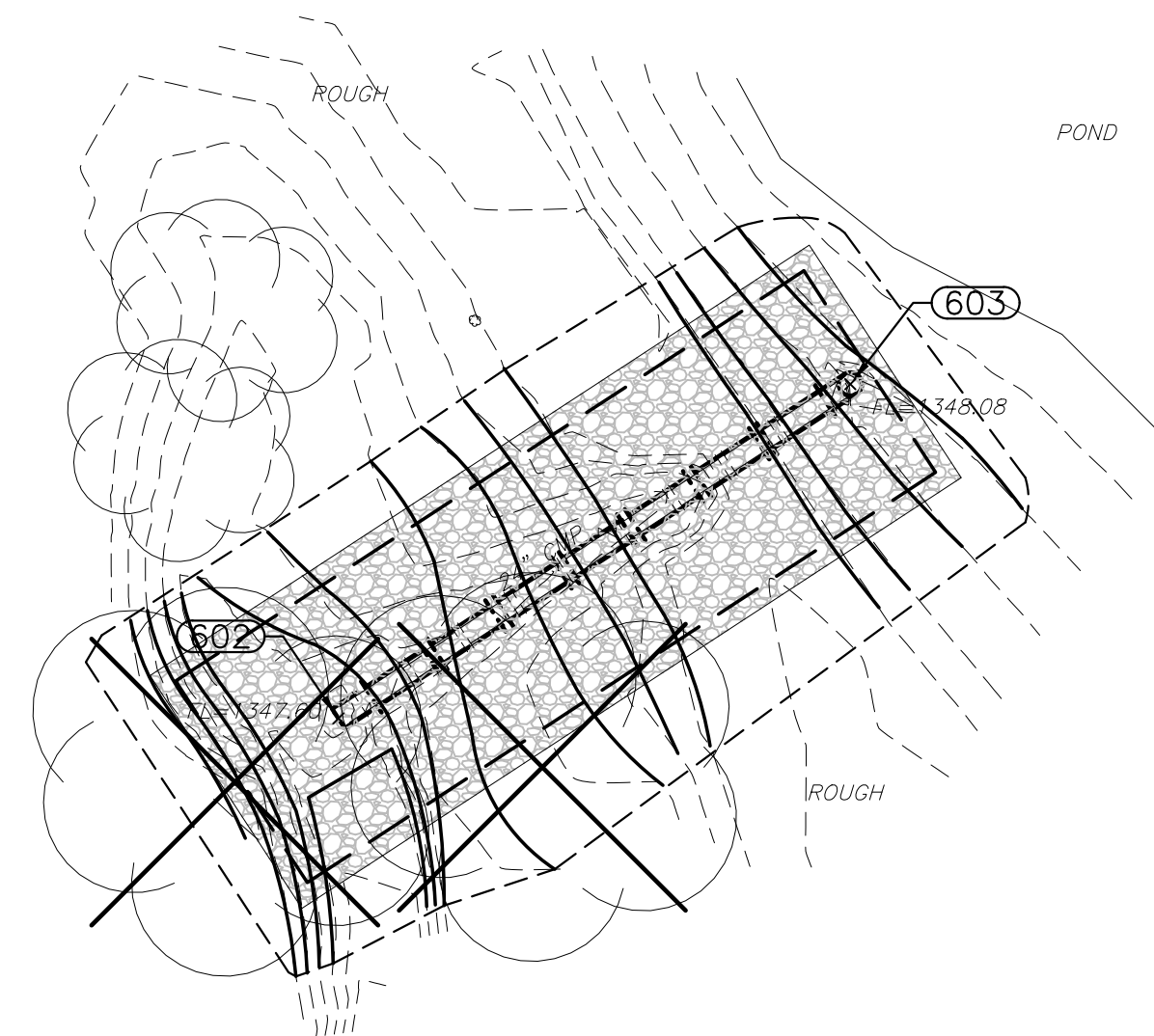
SHEET NO.

PLOTED: Thursday, January 20, 2022 @ 05:59PM

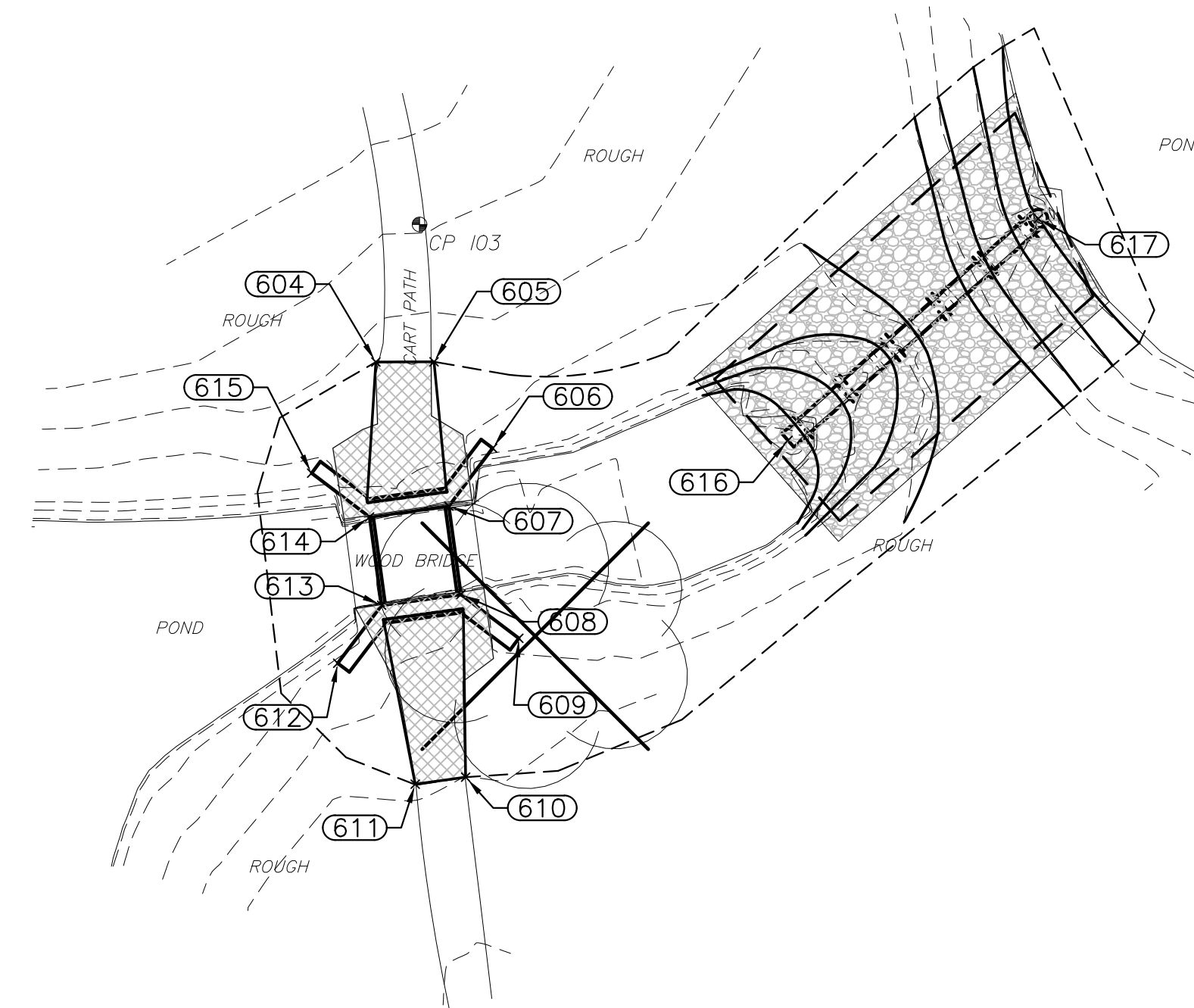
J:\PROJECTS\2019\1901010483\_COW\_MACDONALD GOLF COURSE\190483 CAD\SHOTS\06 CIVIL\PAV1\0483-05-155.DWG



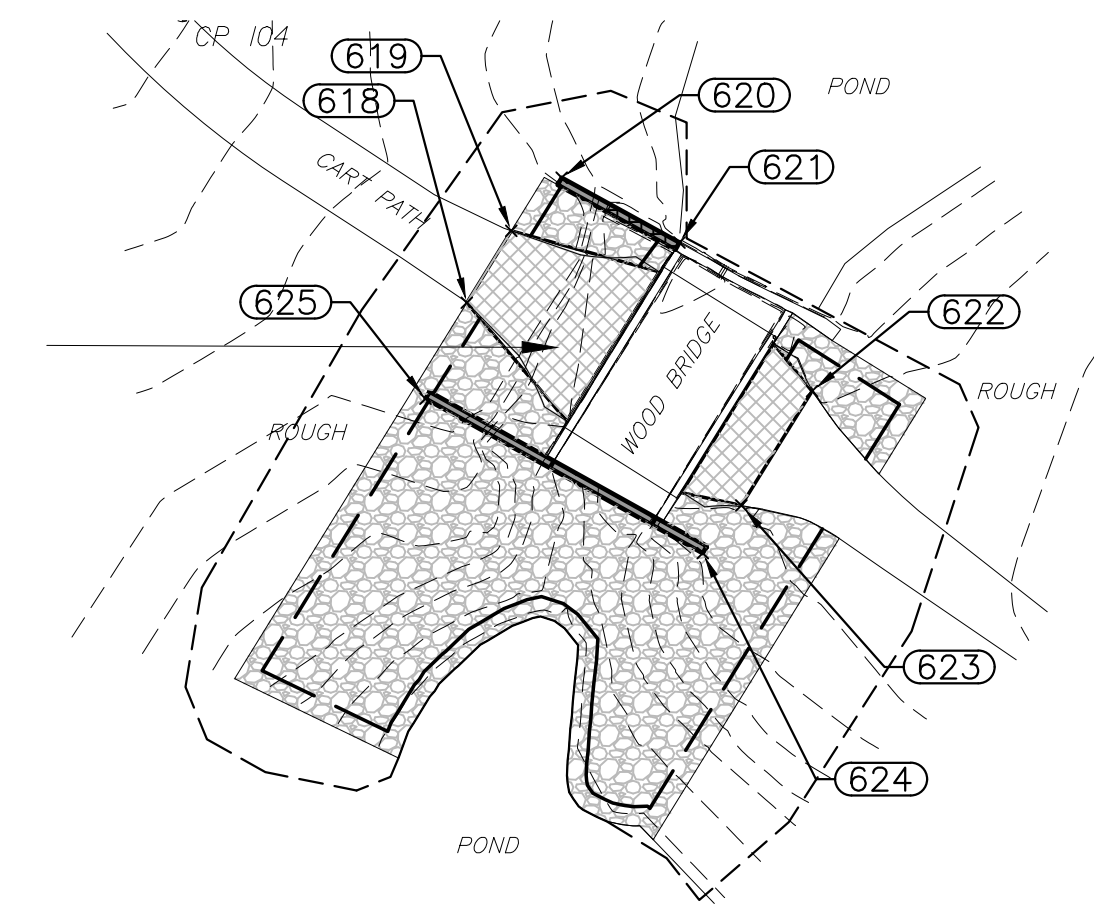
**POND A SITE PLAN**



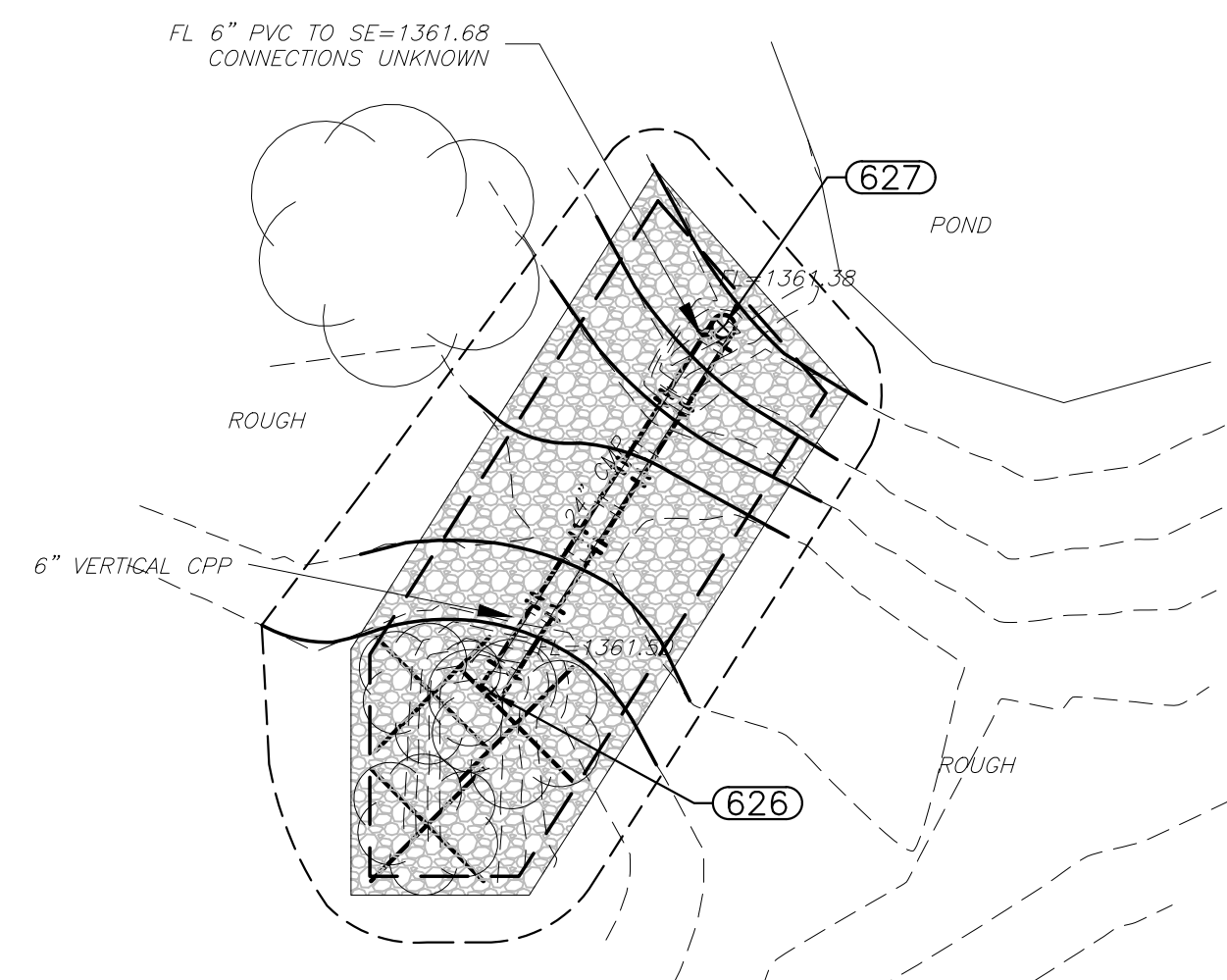
**POND C SITE PLAN**



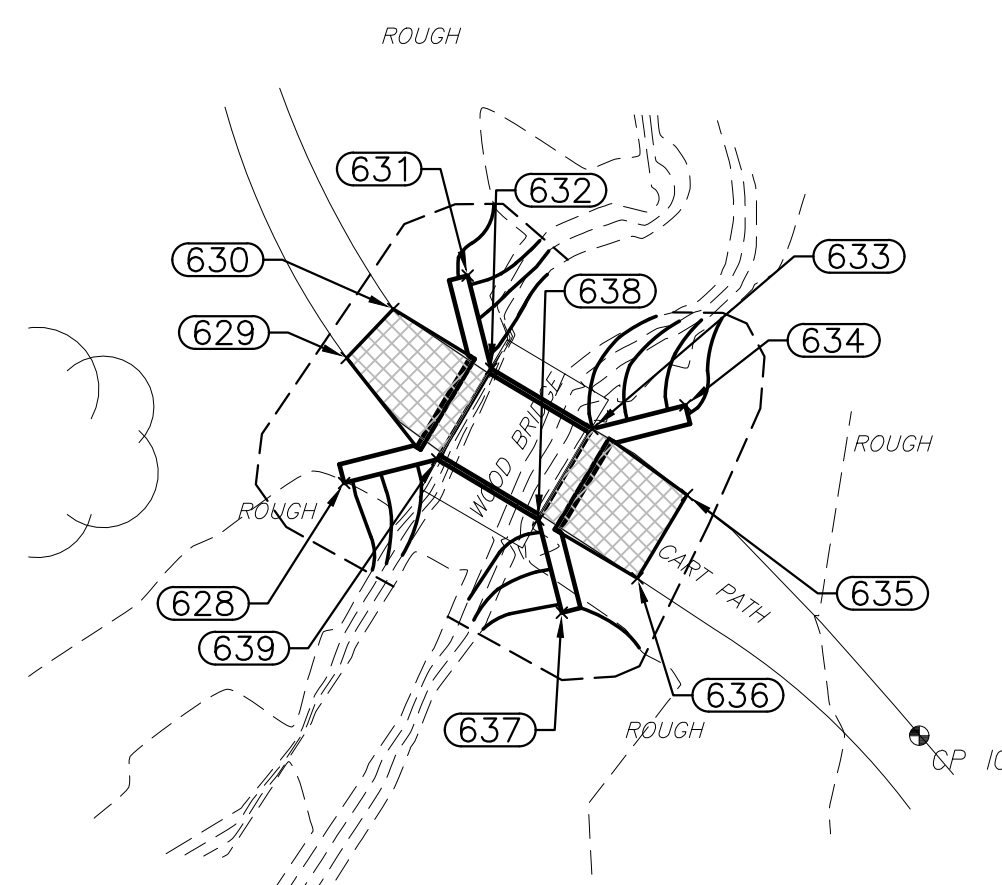
**POND D & E SITE PLAN**



**POND F & G SITE PLAN**



**POND I SITE PLAN**



**NORTH OF POND I SITE PLAN**

PAVING POINTS			
Point #	Northing	Easting	Desc.
600	1690254.610	1662354.698	END OF SHEET PILE
601	1690224.480	1662388.122	END OF SHEET PILE
602	1691063.728	1662856.438	END OF PIPE
603	1691099.821	1662911.694	CENTER OF RISER
604	1691785.770	1663044.368	END OF SIDEWALK
605	1691765.807	1663052.368	END OF SIDEWALK
606	1691753.918	1663060.447	BRIDGE POINT
607	1691745.950	1663054.405	BRIDGE POINT
608	1691733.814	1663056.073	BRIDGE POINT
609	1691727.772	1663064.041	BRIDGE POINT
610	1691708.669	1663056.725	END OF SIDEWALK
611	1691707.716	1663049.791	END OF SIDEWALK
612	1691724.349	1663039.132	BRIDGE POINT
613	1691732.316	1663045.175	BRIDGE POINT
614	1691744.452	1663043.507	BRIDGE POINT
615	1691750.495	1663035.539	BRIDGE POINT
616	1691754.996	1663101.065	END OF PIPE
617	1691785.488	1663135.507	CENTER OF RISER
618	1692063.833	1663417.371	END OF SIDEWALK
619	1692071.327	1663422.001	END OF SIDEWALK
620	1692076.859	1663427.243	END OF WALL

PAVING POINTS			
Point #	Northing	Easting	Desc.
621	1692070.112	1663439.510	END OF WALL
622	1692054.633	1663453.324	END OF SIDEWALK
623	1692042.723	1663445.965	END OF SIDEWALK
624	1692037.757	1663441.948	END OF WALL
625	1692053.836	1663413.068	END OF WALL
626	1692917.094	1663616.971	END OF PIPE
627	1692955.918	1663641.643	CENTER OF RISER
628	1693540.662	1663782.814	BRIDGE POINT
629	1693553.686	1663783.089	END OF SIDEWALK
630	1693558.779	1663787.928	END OF SIDEWALK
631	1693562.263	1663795.681	BRIDGE POINT
632	1693552.569	1663798.137	BRIDGE POINT
633	1693546.300	1663808.661	BRIDGE POINT
634	1693548.757	1663818.355	BRIDGE POINT
635	1693539.415	1663818.527	BRIDGE POINT
636	1693530.736	1663813.358	BRIDGE POINT
637	1693527.156	1663805.488	BRIDGE POINT
638	1693536.850	1663803.032	BRIDGE POINT
639	1693543.119	1663792.508	BRIDGE POINT

