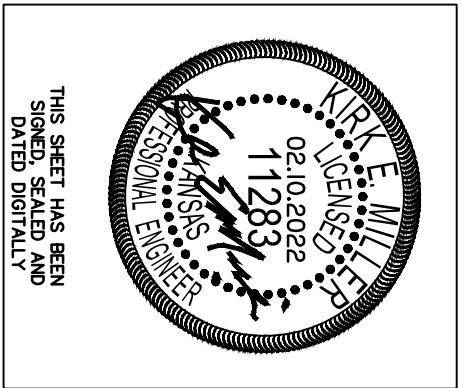
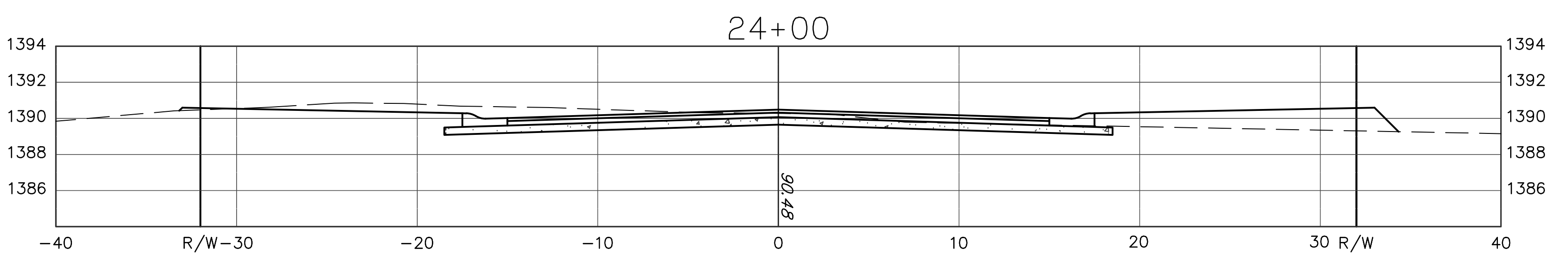
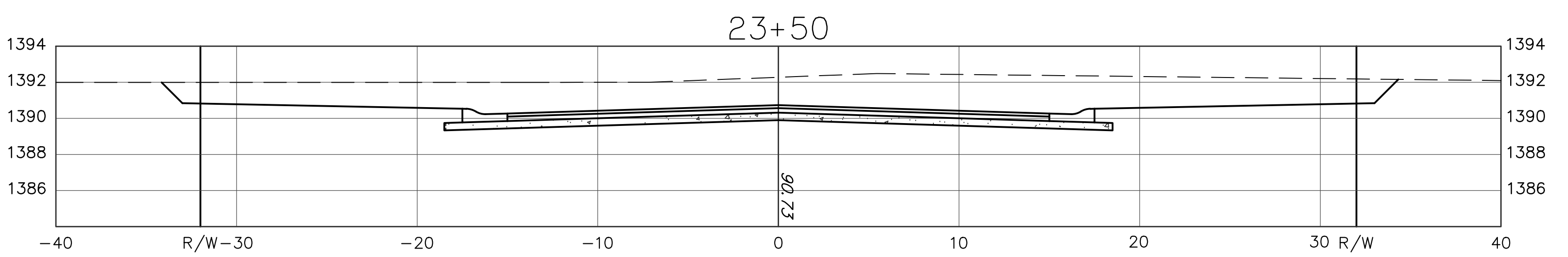
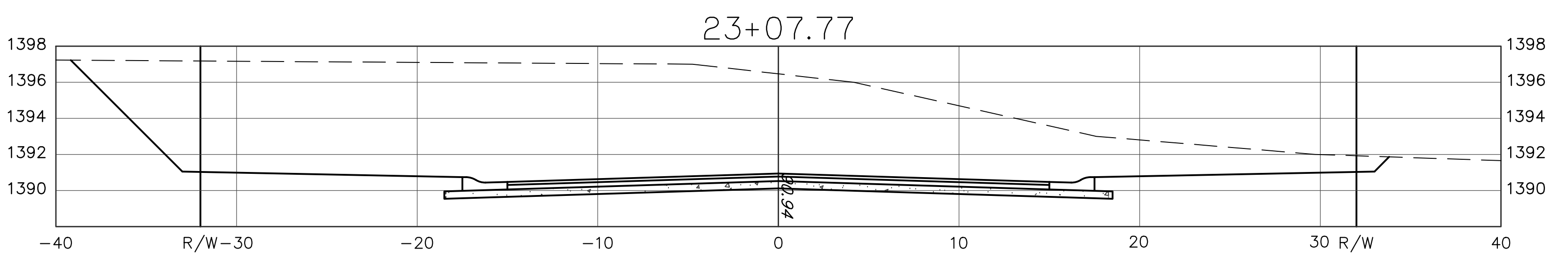
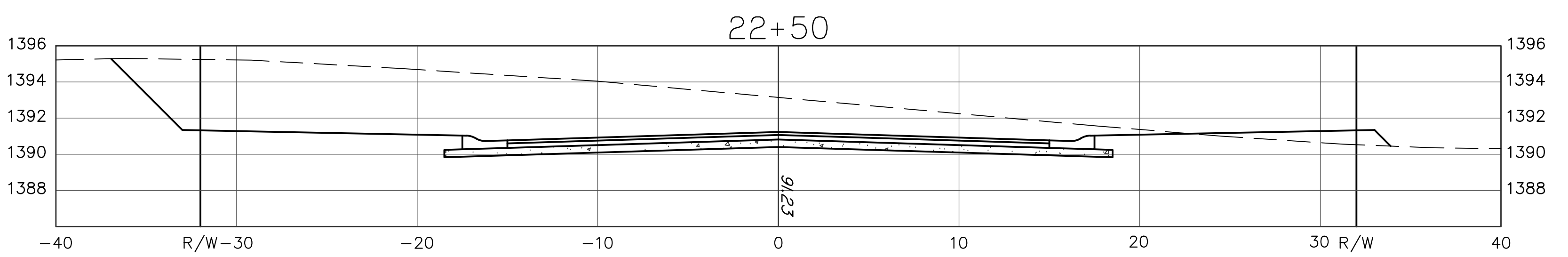
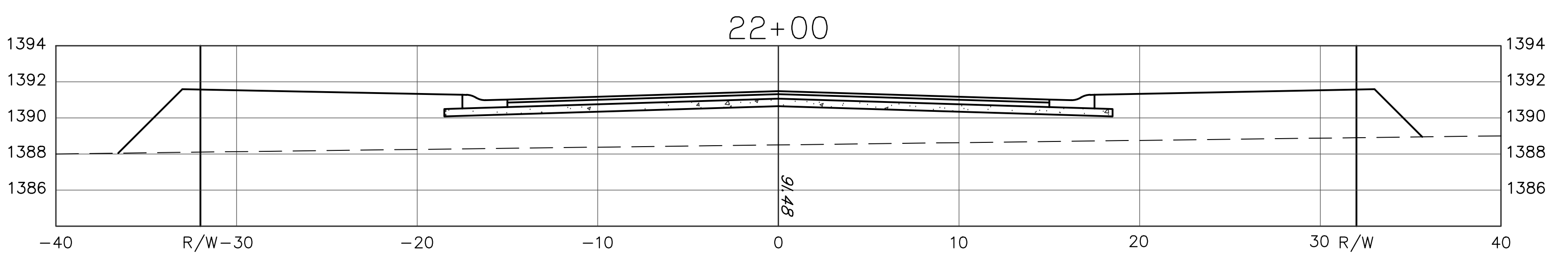
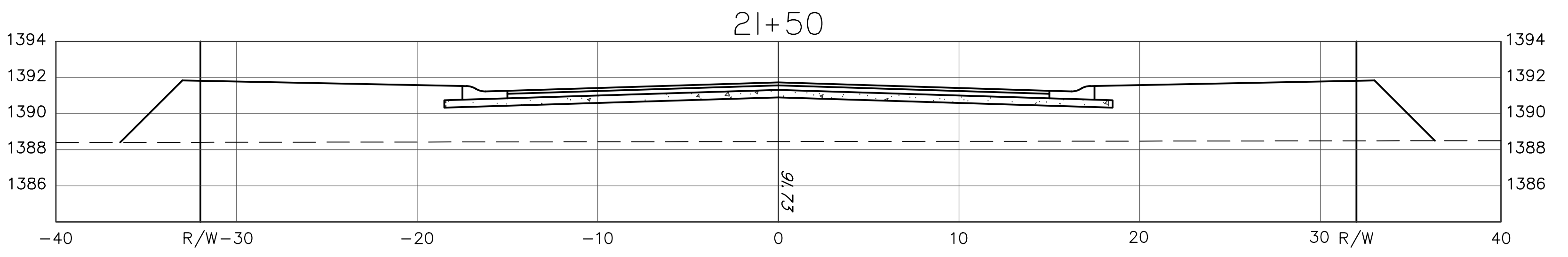
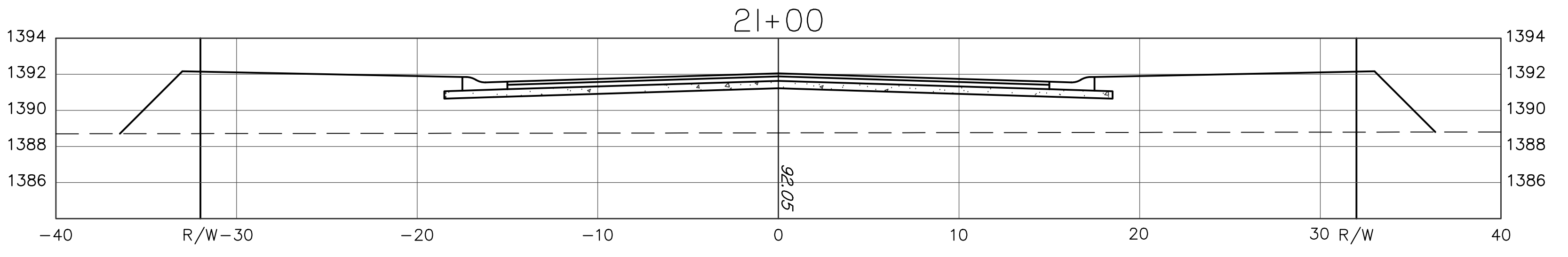
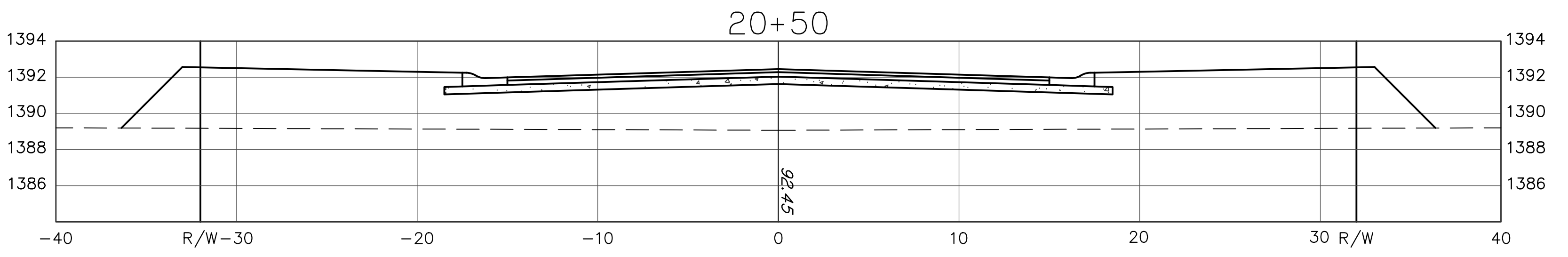


SPYGLASS

20+50
24+00



KEMILLER ENGINEERING, P.A.
117 E. Linn, Wichita, KS 67202 (316)944-0942

DESIGN	KM	FILE	ZS	DATE	01/20/22
REVISION		DRAWN		REVISOR	

PROJECT NUMBER: _____

Sawmill Creek Addition (Phase 2)
Cross Sections
Wichita, Kansas

SHEET: **6.2**