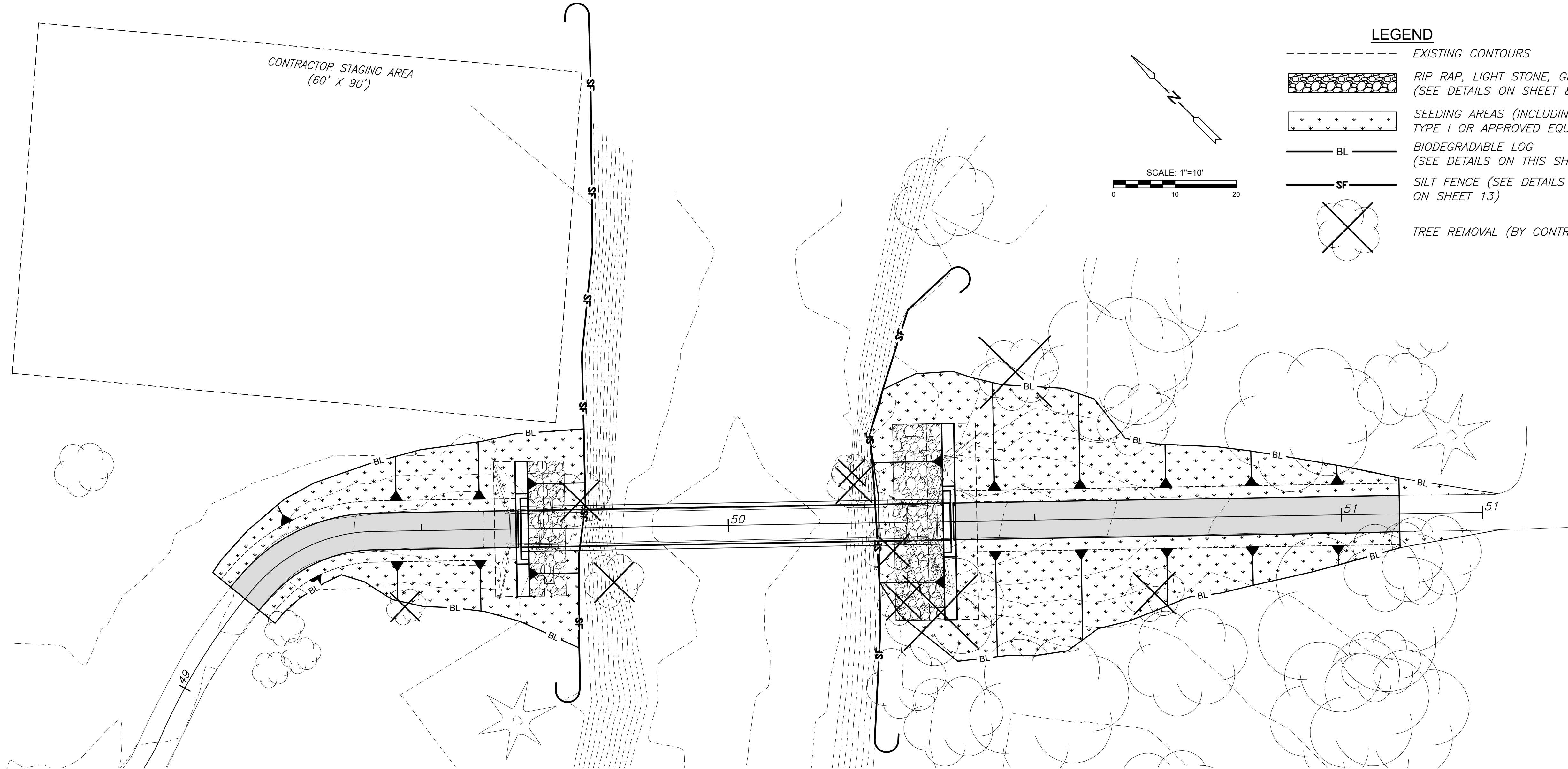


J:\PROJECTS\2019\191010483_COW_SWANSON PARK BRIDGE REPLACEMENT_190483_CADD\SHETS\05 CIVIL\EROSION\190483-05-540.DWG
 PLOTTED: Monday, March 21, 2022 @ 02:27PM



LEGEND

- EXISTING CONTOURS
- RIP RAP, LIGHT STONE, GROUTED (SEE DETAILS ON SHEET 8)
- SEEDING AREAS (INCLUDING CURLEX, TYPE 1 OR APPROVED EQUAL)
- BL — BIODEGRADABLE LOG (SEE DETAILS ON THIS SHEET)
- SF — SILT FENCE (SEE DETAILS ON SHEET 13)
- TREE REMOVAL (BY CONTRACTOR)

SEEDING NOTE

SEE SHEET 5 FOR THE PROJECT SEED MIX AND THE SUMMARY OF SEEDING QUANTITIES.

EROSION CONTROL NOTES

THIS PROJECT WILL NOT DISTURB LESS THAN 1.0 ACRE AREA WITHIN CONSTRUCTION LIMITS.

REFER TO CITY OF WICHITA STANDARDS FOR BMP INSTALLATION, INSPECTION AND MAINTENANCE DETAILS AND SPECIFICATIONS.

COST FOR EACH EROSION AND SEDIMENT CONTROL ITEM SHALL INCLUDE MAINTENANCE, INSPECTION AND EVENTUAL REMOVAL. BESIDES KEEPING EACH DEVICE IN WORKING ORDER, MAINTENANCE SHALL INCLUDE, AT A MINIMUM, SEDIMENT REMOVAL BEFORE 50% OF THE DEVICE'S CAPACITY IS REACHED.

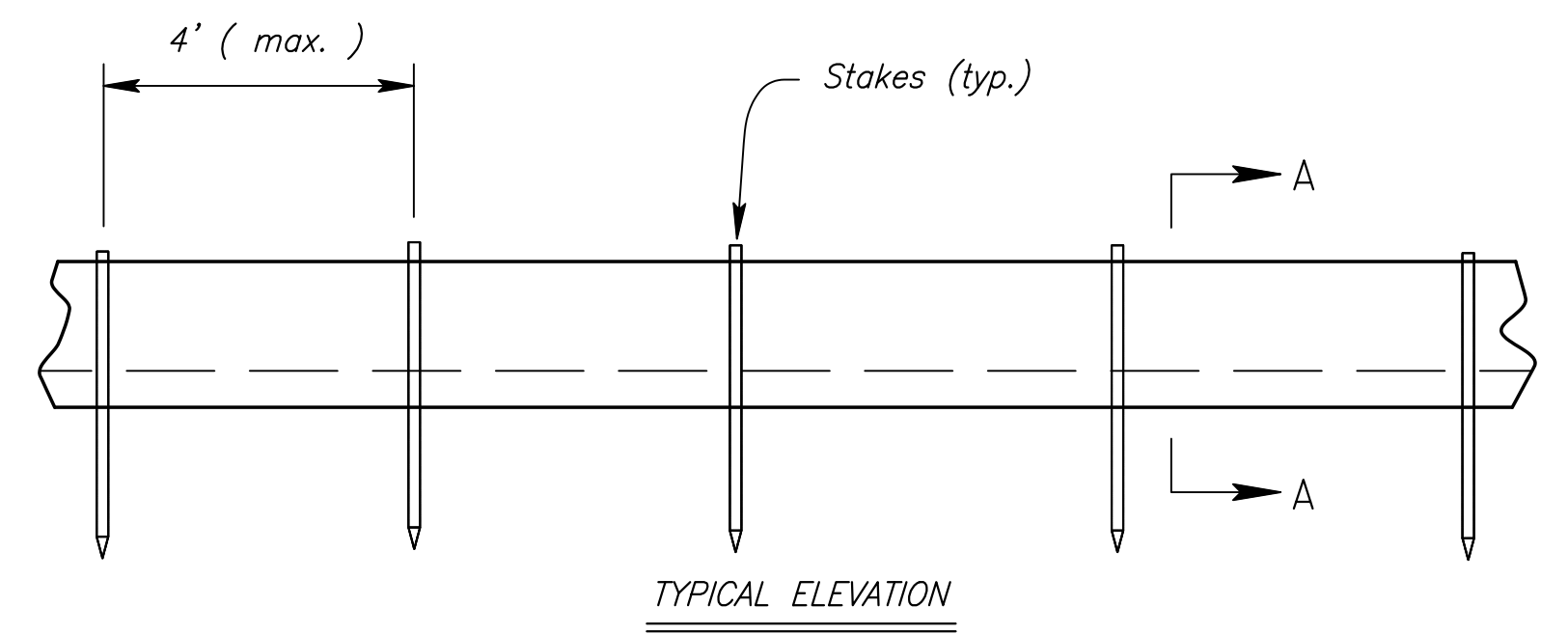
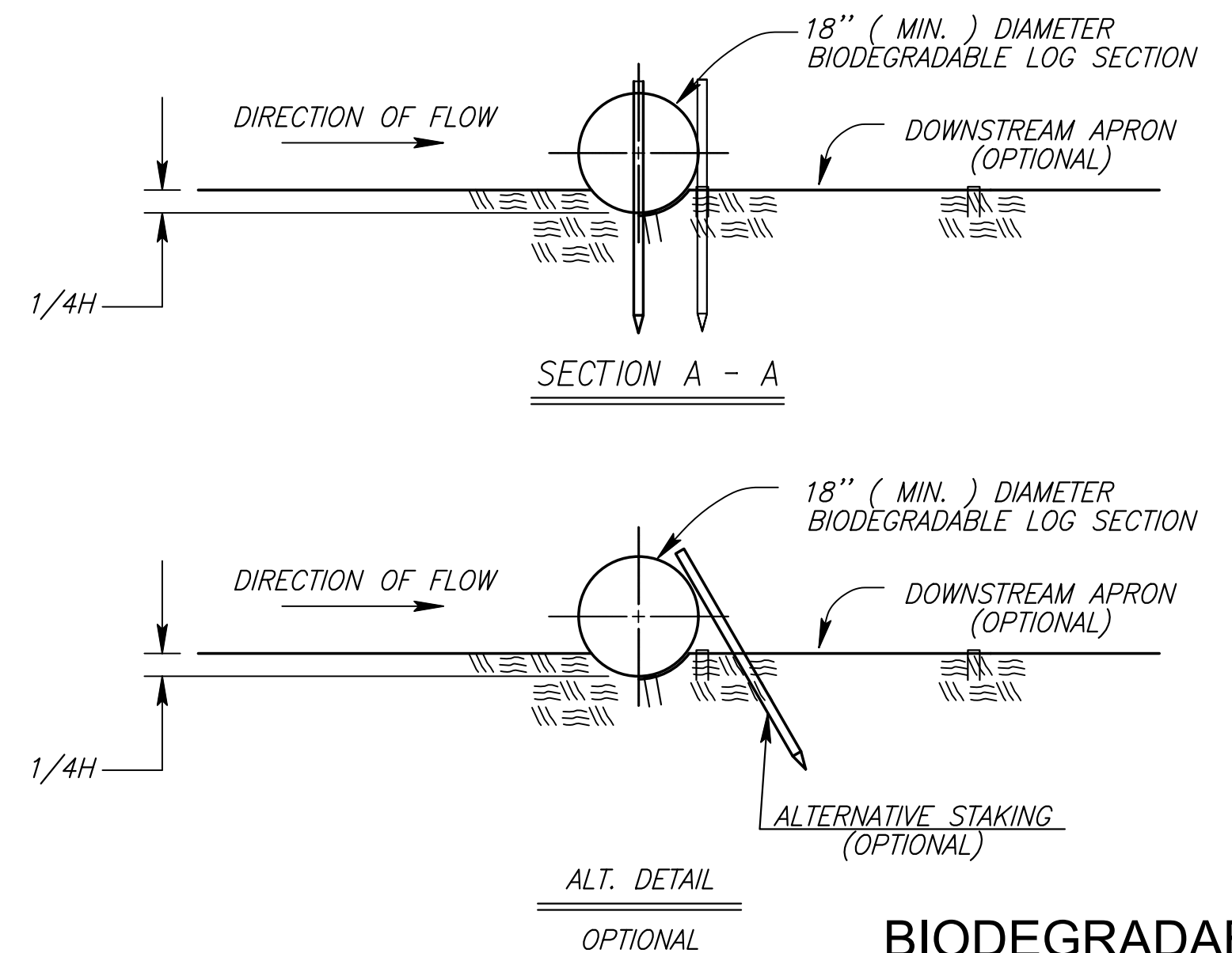
CONTRACTOR SHALL ADJUST EROSION AND SEDIMENT CONTROL PLANS TO CONFORM TO ACTUAL CONSTRUCTION OPERATIONS. ALL CHANGES TO PLAN SHALL BE APPROVED BY THE CITY.

STABILIZED ENTRANCES SHALL BE PROVIDED AS DIRECTED BY THE CITY. 2 TOTAL ENTRANCES ARE ANTICIPATED FOR THE PROJECT.

STOCKPILING OF EXCAVATED MATERIAL ON THE PROJECT SITE IS GENERALLY PROHIBITED. SMALL AND INTERIM STOCK PILES NOT IMMEDIATELY HAULED OFF-SITE SHOULD BE ENCLOSED AND PROTECTED WITH BIODEGRADABLE LOG AROUND THE ENTIRE CIRCUMFERENCE OF THE STOCK PILE. INSTALLING AND MAINTAINING THIS BARRIER SHALL BE CONSIDERED *SUBSIDIARY* TO THE BID ITEM "BMP, BIODEGRADABLE LOG". THE BID QUANTITIES DO NOT ACCOUNT FOR BARRIER FOR THIS PURPOSE.

EROSION CONTROL DEVICES WILL NEED TO BE INSTALLED AS APPLICABLE FOR THE APPROPRIATE CONSTRUCTION PHASE. CONTRACTOR SHALL ADJUST EROSION AND SEDIMENT CONTROL PLAN TO CONFORM TO ACTUAL CONSTRUCTION OPERATIONS. ONCE INSTALLED, THE DEVICES SHALL REMAIN IN-PLACE AND CONTINUE TO BE MAINTAINED UNTIL NO LONGER NECESSARY AS DETERMINED BY THE CITY.

PROPOSED CONTOURS ARE APPROXIMATE. FINAL GRADING MAY BE FIELD ADJUSTED TO FIT EXISTING TOPOGRAPHY AS NEEDED.



BIODEGRADABLE LOG INSTALLATION DETAIL

SCALE: NTS



**IMPROVEMENT PLANS FOR
 SWANSON PARK BRIDGE REPLACEMENT
 WICHITA, KS**

©2022 MKEC Engineering All Rights Reserved
 www.mkec.com
 These drawings and their contents, including, but not limited to, all concepts, designs, & ideas are the exclusive property of MKEC Engineering (MKEC), and may not be used or reproduced in any way without the express consent of MKEC.

SITE RESTORATION & EROSION CONTROL PLANS

PROJECT NO.	1901010483	
DATE	03/21/2022	
SCALE	AS SHOWN	
DESIGNED	DRAWN	CHECKED
JRA	DJL	SLF
0	ISSUED FOR CONSTRUCTION	3/21/22
NO.	REVISION	DATE

SHEET NO.
12 OF 23