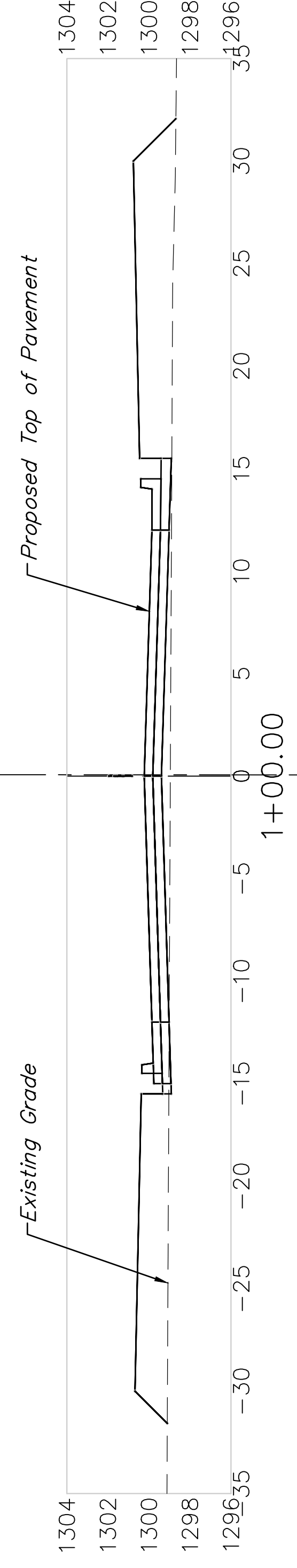
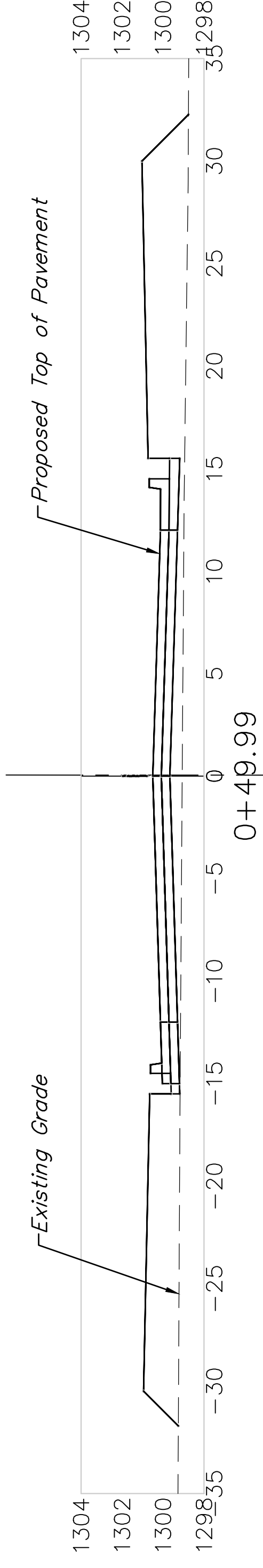


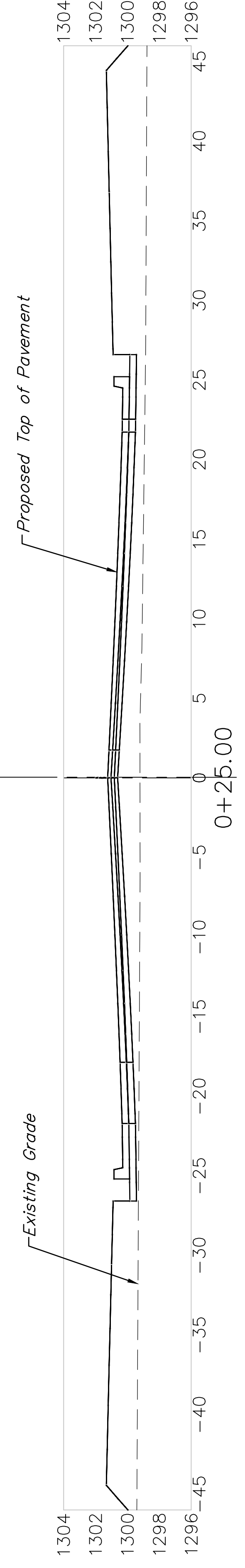
$EXC = 9.11$  C.Y.  
 $LF = 76.31$  C.Y.  
 $CF = 5.60$  C.Y.



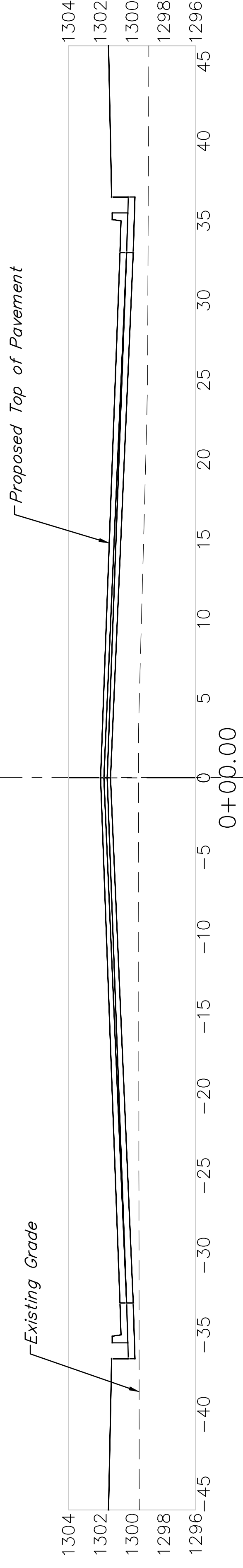
$EXC = 0.19$  C.Y.  
 $LF = 97.23$  C.Y.  
 $CF = 17.99$  C.Y.



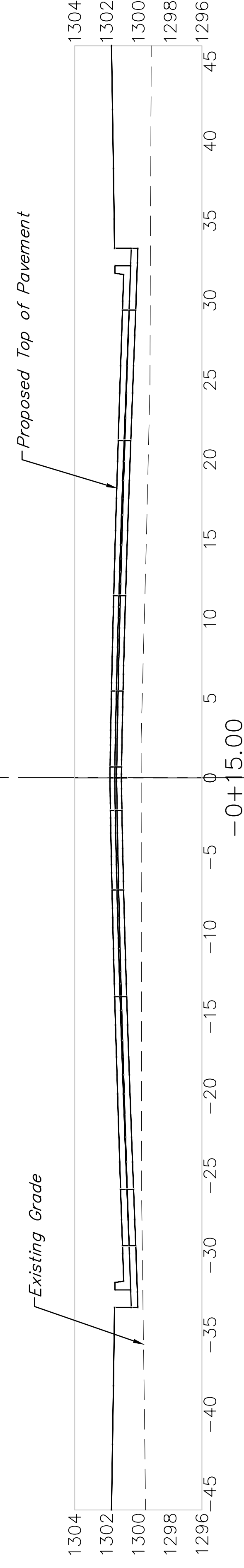
$EXC = 0.00$  C.Y.  
 $LF = 56.55$  C.Y.  
 $CF = 30.07$  C.Y.



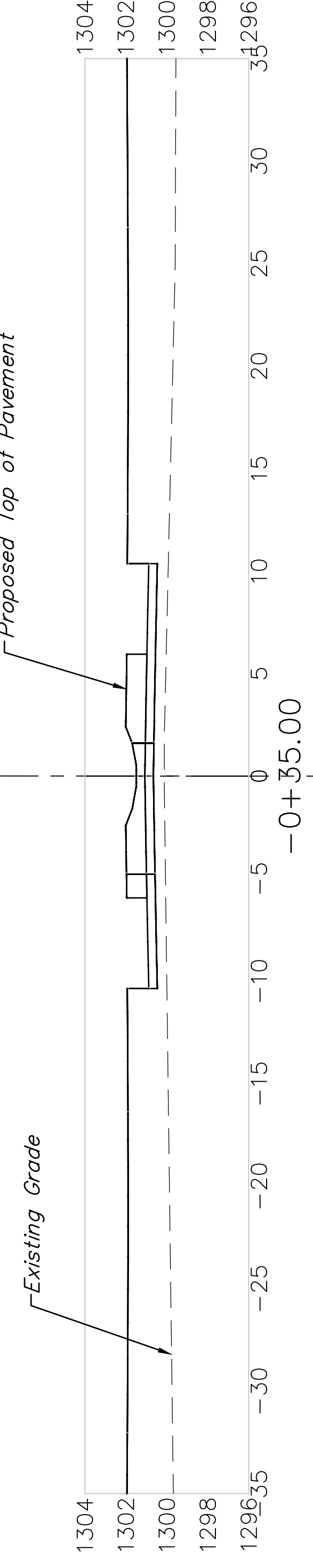
$EXC = 0.00$  C.Y.  
 $LF = 48.99$  C.Y.  
 $CF = 64.27$  C.Y.



$EXC = 0.00$  C.Y.  
 $LF = 29.42$  C.Y.  
 $CF = 38.56$  C.Y.



$EXC = 0.00$  C.Y.  
 $LF = 61.54$  C.Y.  
 $CF = 25.85$  C.Y.



Doris Ct (Lots 10 through 25, Block B)