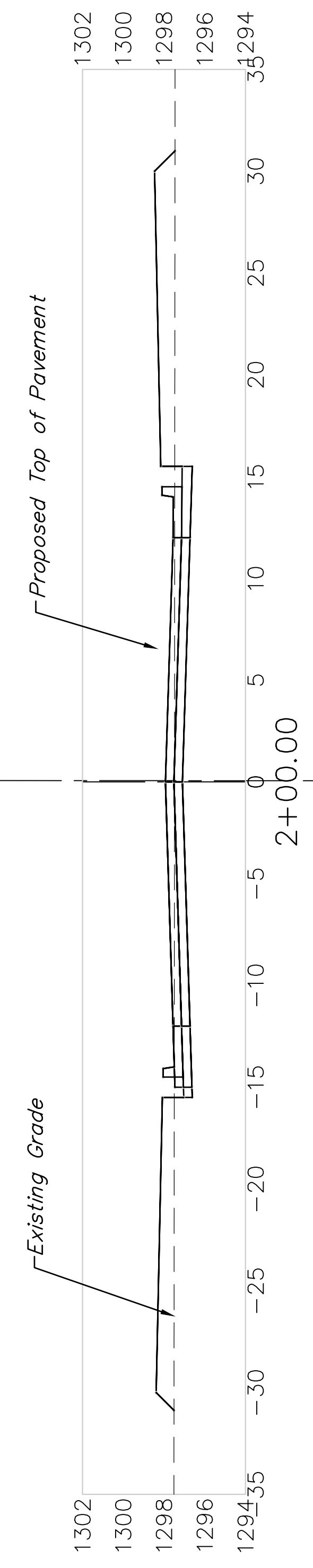
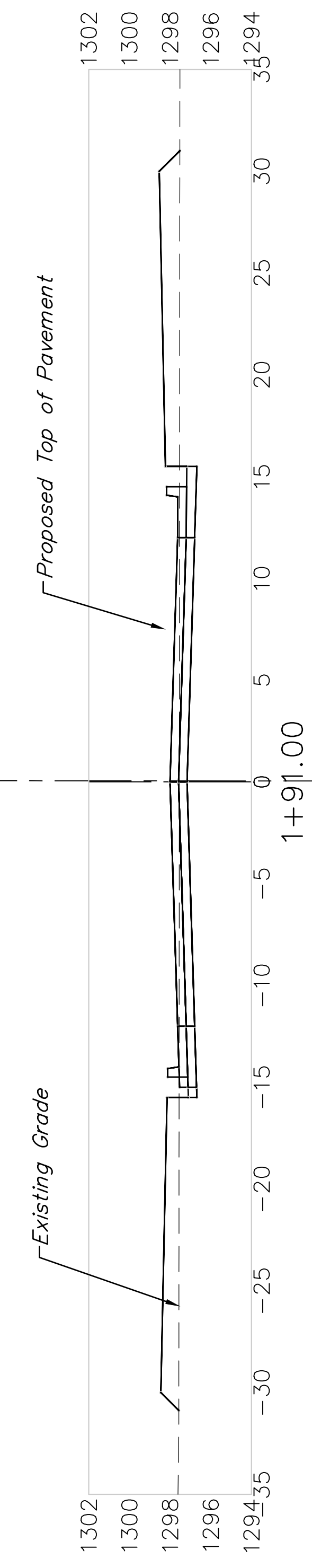


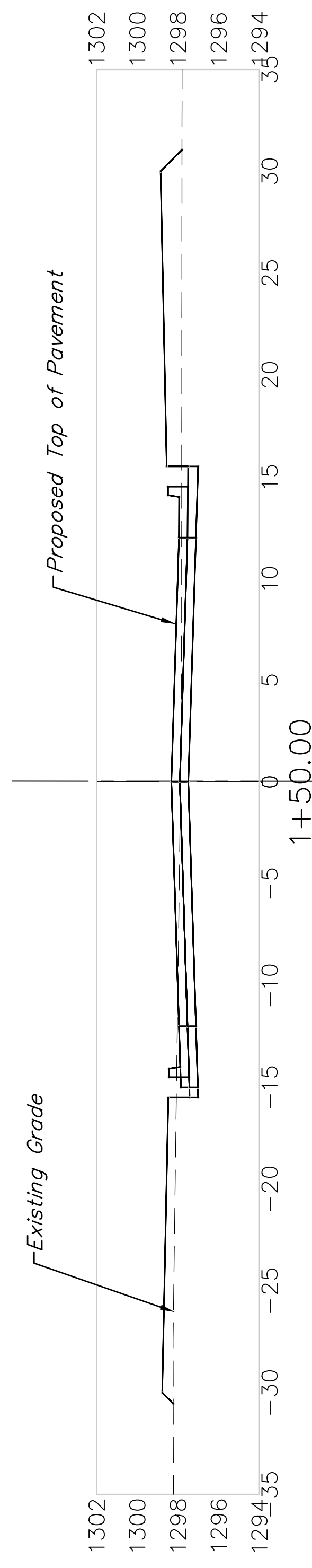
$EXC = 3.09$ C.Y.
 $LF = 81.64$ C.Y.
 $CF = 3.96$ C.Y.



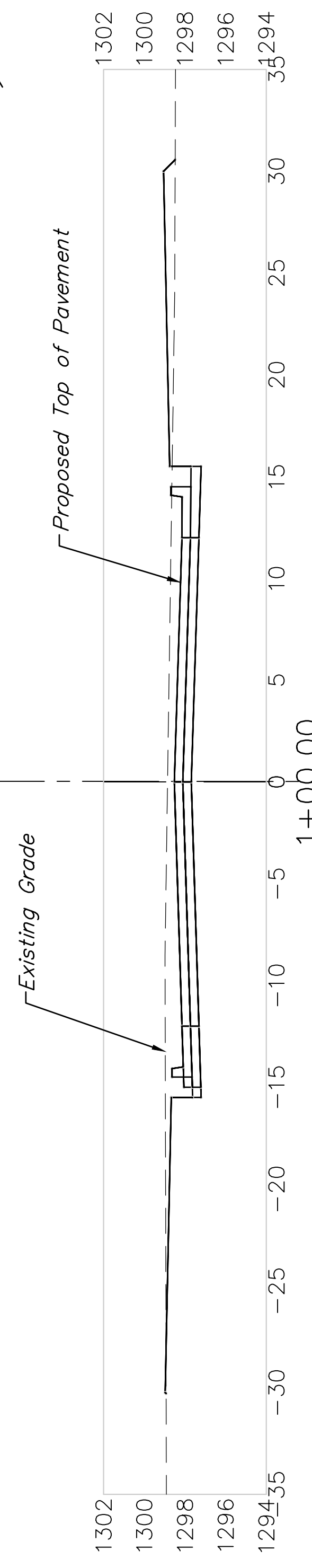
$EXC = 0.71$ C.Y.
 $LF = 14.35$ C.Y.
 $CF = 0.54$ C.Y.



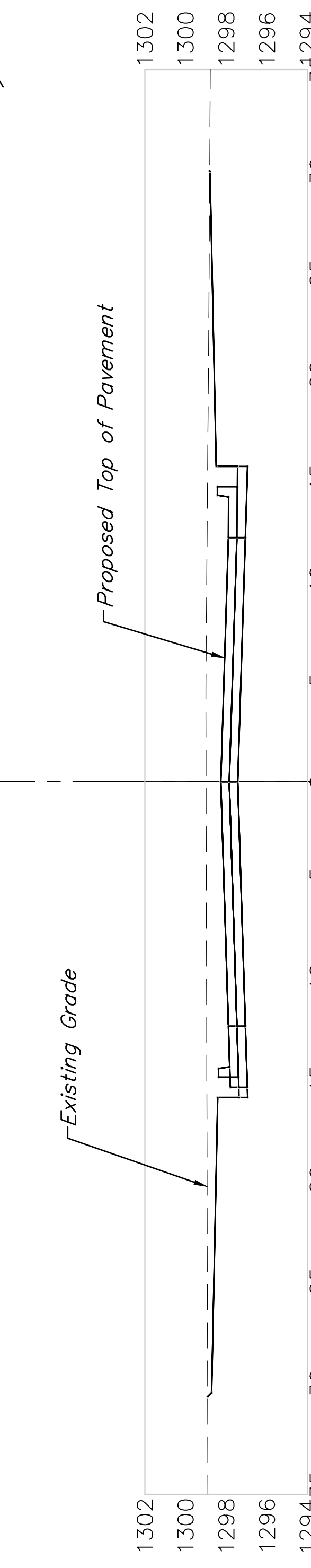
$EXC = 13.14$ C.Y.
 $LF = 51.80$ C.Y.
 $CF = 1.09$ C.Y.



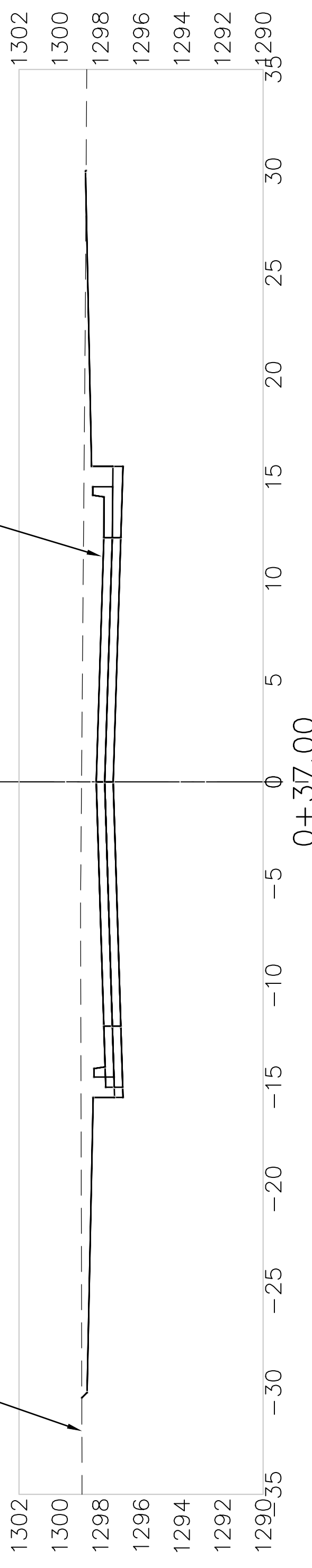
$EXC = 62.27$ C.Y.
 $LF = 26.29$ C.Y.
 $CF = 0.00$ C.Y.



$EXC = 109.06$ C.Y.
 $LF = 2.89$ C.Y.
 $CF = 0.00$ C.Y.



$EXC = 34.08$ C.Y.
 $LF = 0.00$ C.Y.
 $CF = 0.00$ C.Y.



Doris Ct (Lots 9 through 26, Block C)