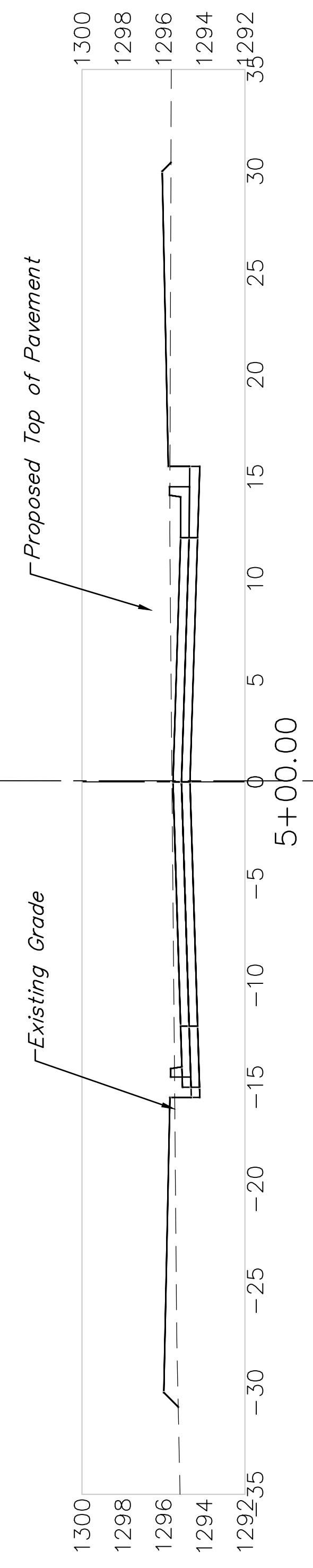
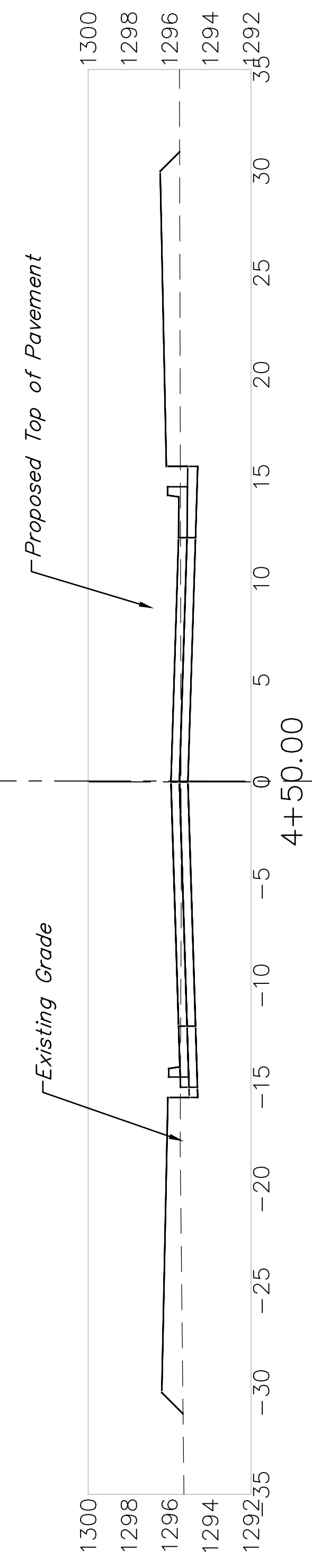


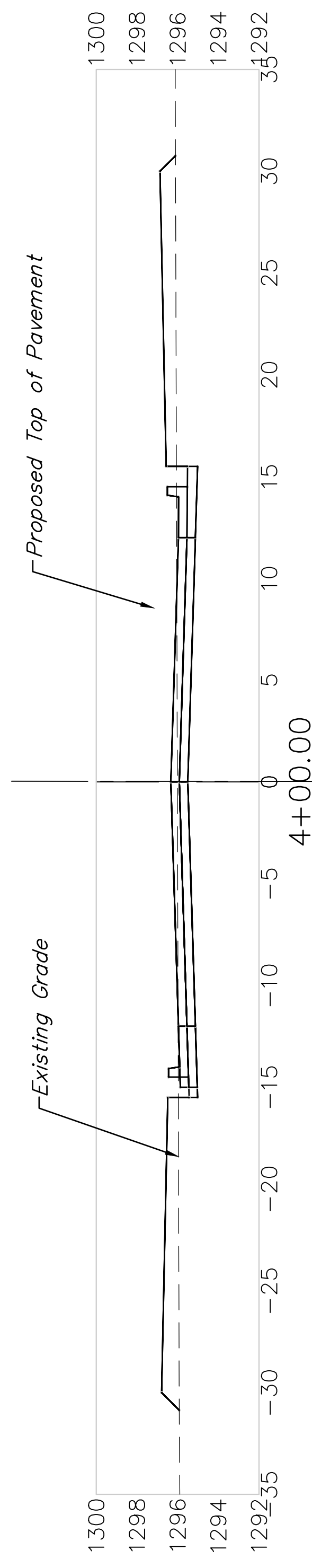
EXC = 0.06 C.Y.  
 LF = 36.00 C.Y.  
 CF = 10.04 C.Y.



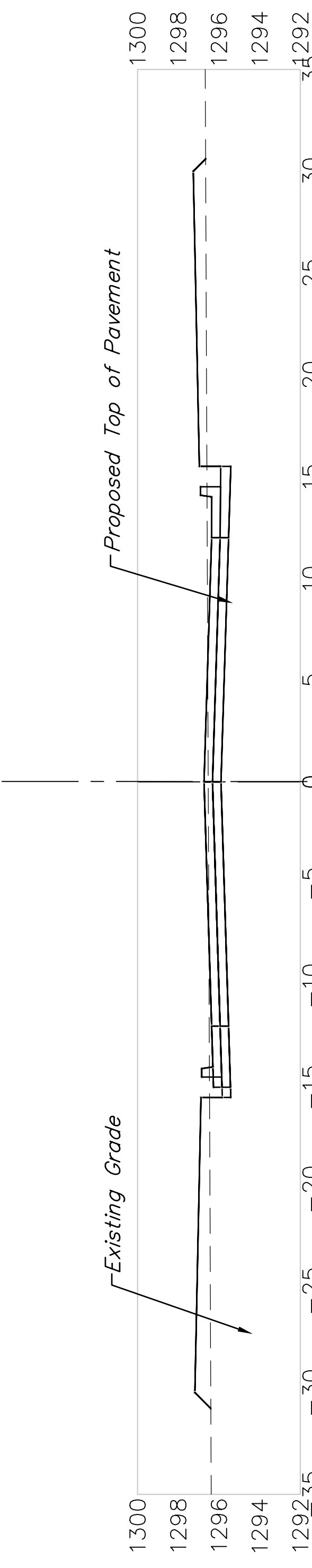
EXC = 0.19 C.Y.  
 LF = 104.23 C.Y.  
 CF = 30.24 C.Y.



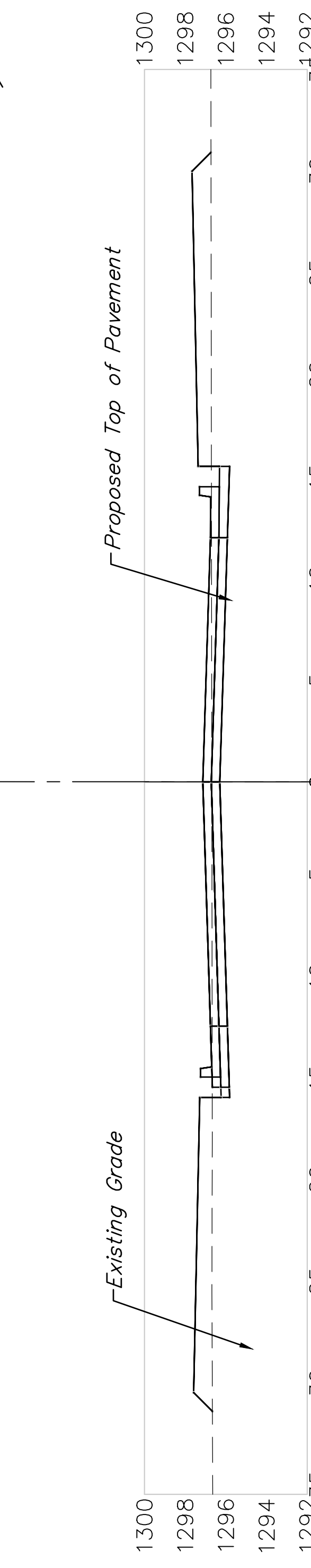
EXC = 0.00 C.Y.  
 LF = 107.20 C.Y.  
 CF = 32.36 C.Y.



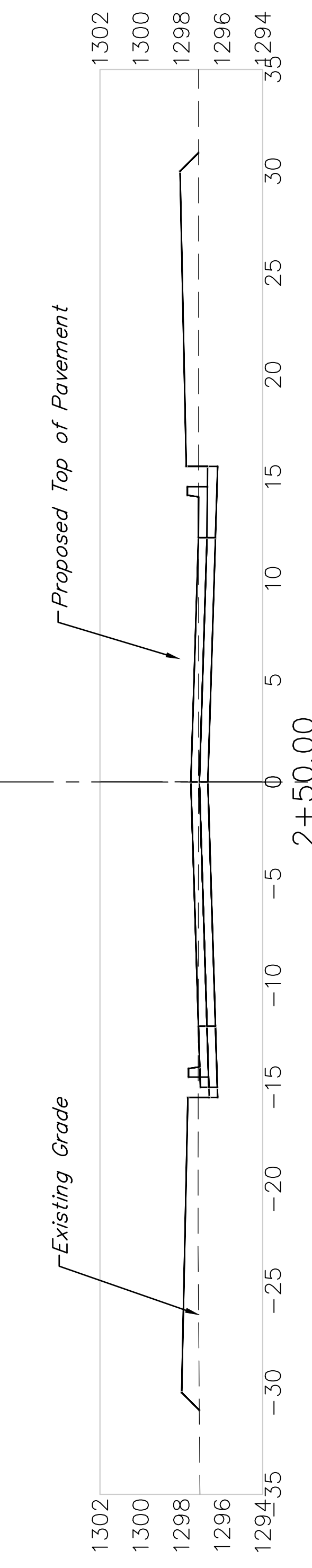
EXC = 0.51 C.Y.  
 LF = 96.59 C.Y.  
 CF = 12.53 C.Y.



EXC = 0.52 C.Y.  
 LF = 91.49 C.Y.  
 CF = 10.06 C.Y.



EXC = 1.23 C.Y.  
 LF = 89.27 C.Y.  
 CF = 8.43 C.Y.



Doris Ct (Lots 9 through 26, Block C)