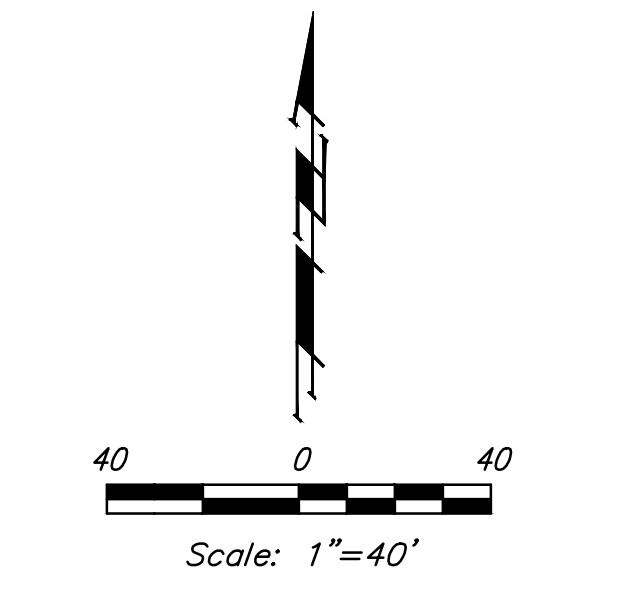
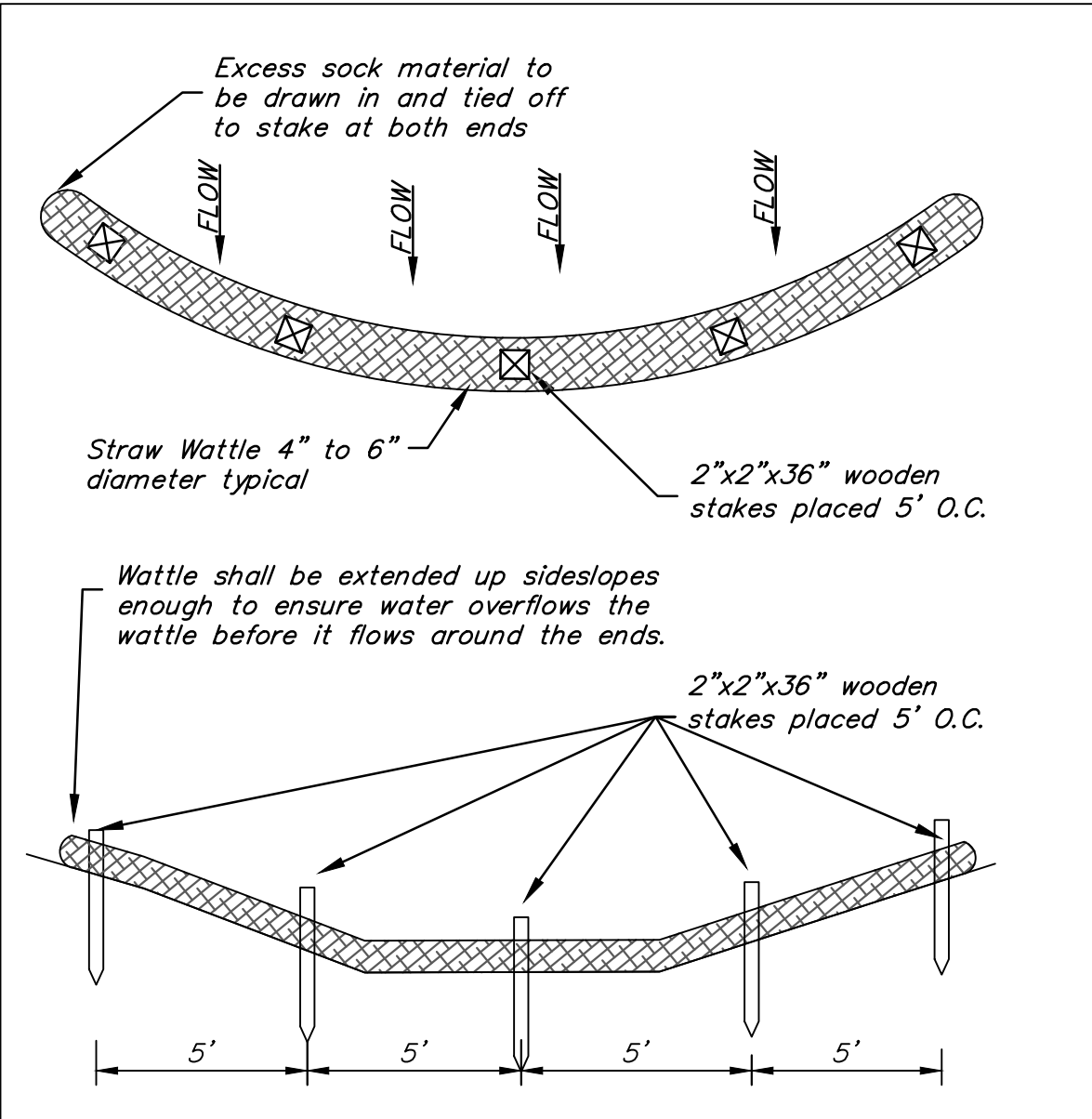


EROSION CONTROL PLAN LEGEND

- DROP INLET PROTECTION
- CURB INLET PROTECTION
- DITCH CHECKS
- SILT FENCING
- STRAW WATTLE DITCH CHECKS
- EROSION CONTROL BERM
- BACK OF CURB PROTECTION
- EROSION CONTROL MAT
- TEMPORARY DITCH



--- 1385 --- Existing Grade
 (1385) Proposed Grade
 [Shaded Area] Area to be graded



STRAW WATTLE DITCH CHECK DETAIL

- NOTES:**
1. All material to meet manufacturer specifications.
 2. Ditch Check should be used in areas that drain 10 acres or less.
 3. Sediment should be removed from behind check dam once the accumulated height has reached 1/2 height of the check dam.
 4. Check dam can be direct seeded at the time of installation.
 5. See Sheet X for spacing requirements.

BAUGHMAN COMPANY
 315 Ellis St.
 Wichita, KS 67211
 316-262-7271
 BaughmanCo.com

COLT MEADOWS ADD.

MASS GRADING PLAN

STORM WATER SEWER IMPROVEMENTS

PROJECT NUMBER:
22-04-E163

DESIGN: NBW DRAWN: TMS
 DATE: August 23, 2022

SHEET OF
18 42

File: E:\Projects\Colt Meadows Addition_21-01-P622\Engineering\Phase 1\SWD 22-04-E163\SWD.dwg