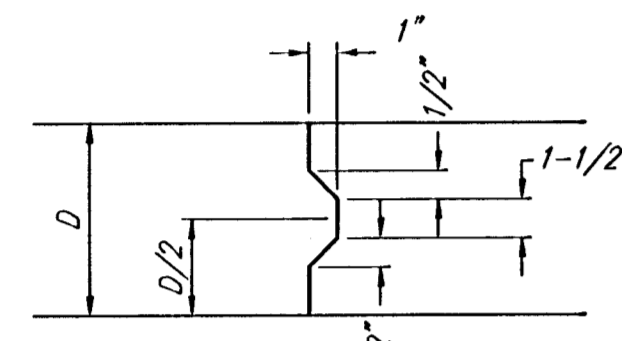
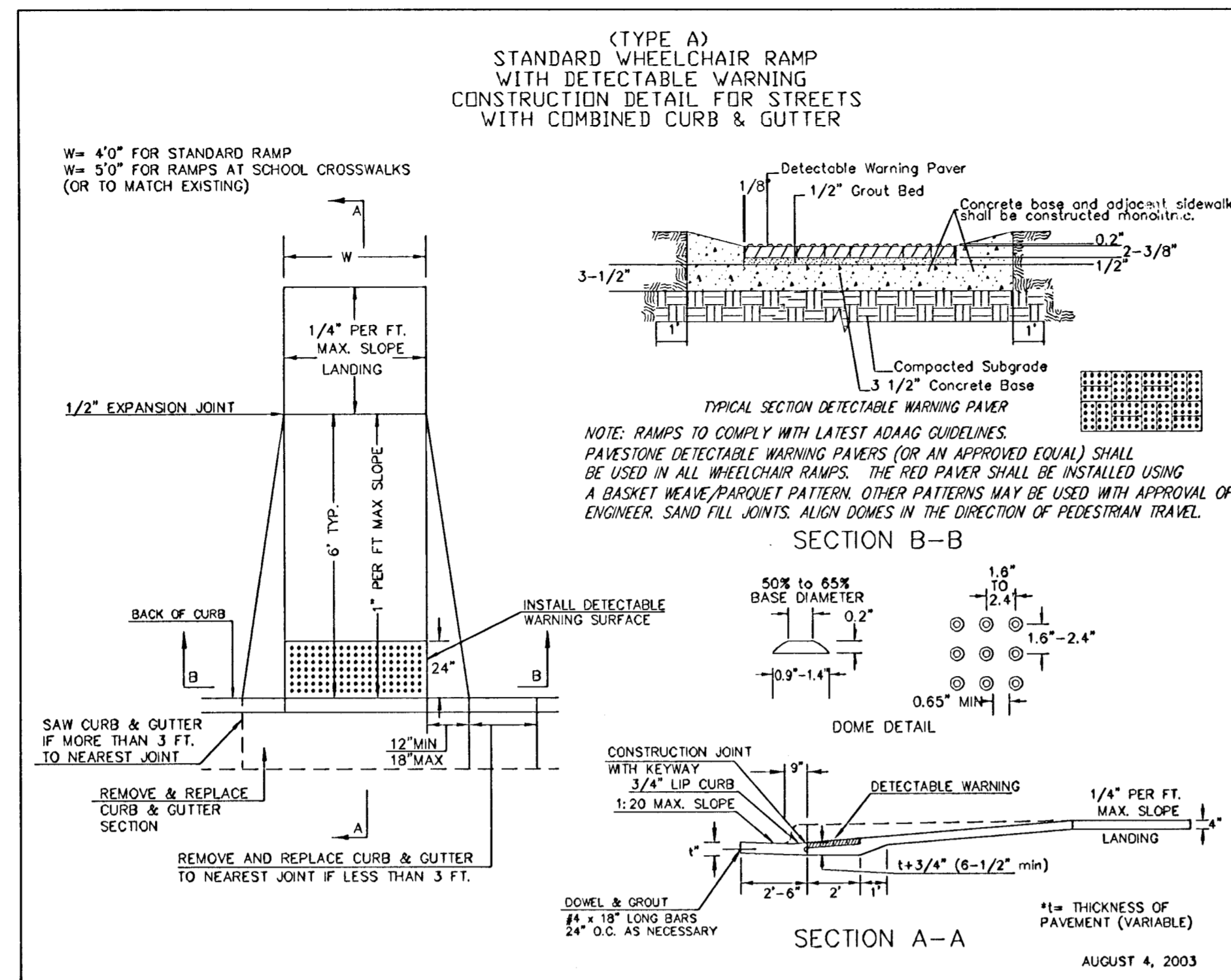


**EXPANSION JOINT**

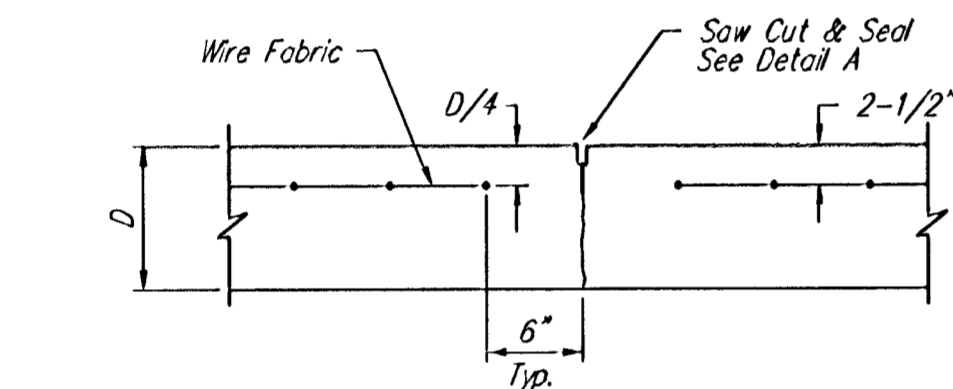
NOTE: Extra Thickness to be Subsidiary to Price of Square Yards Pavement



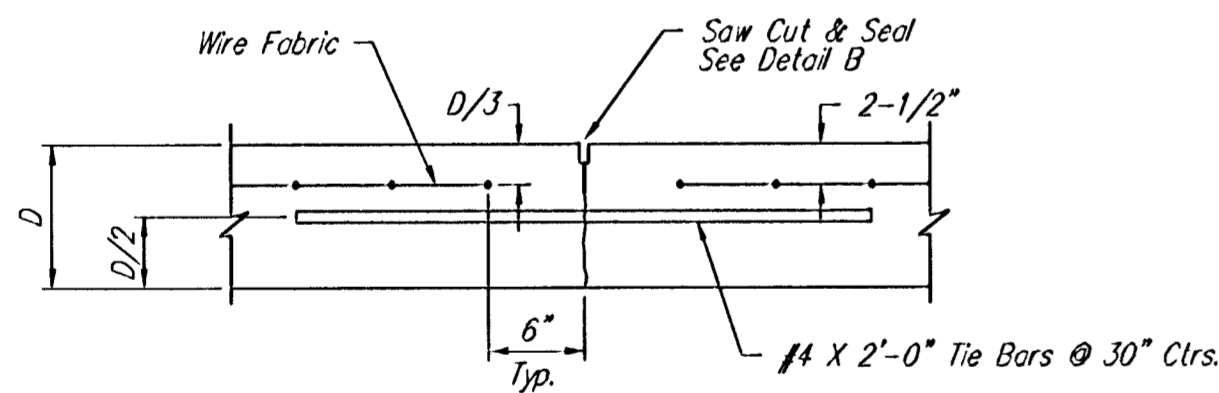
**KEYWAY DETAIL**



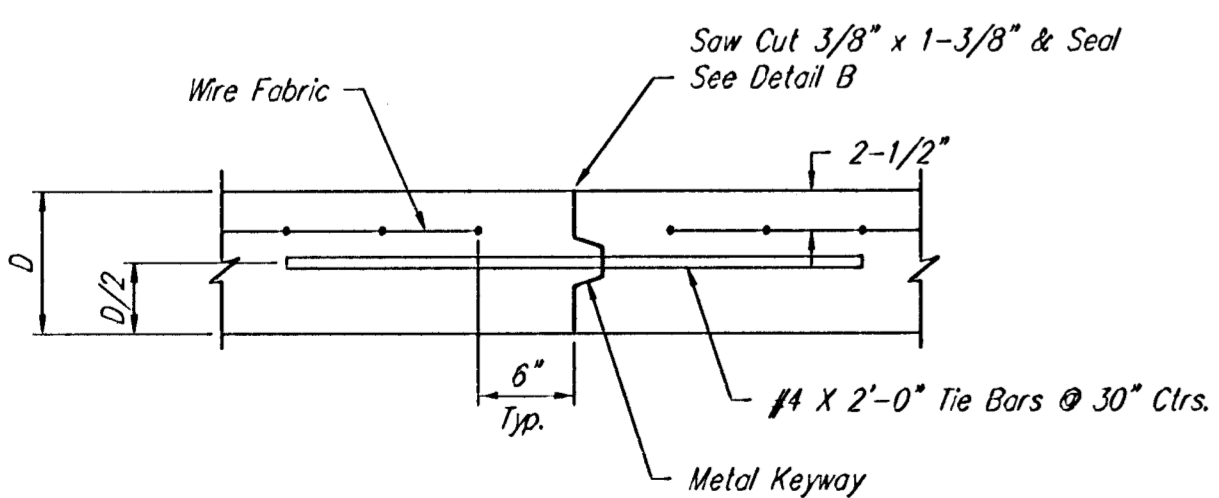
**WHEELCHAIR RAMP DETAIL**



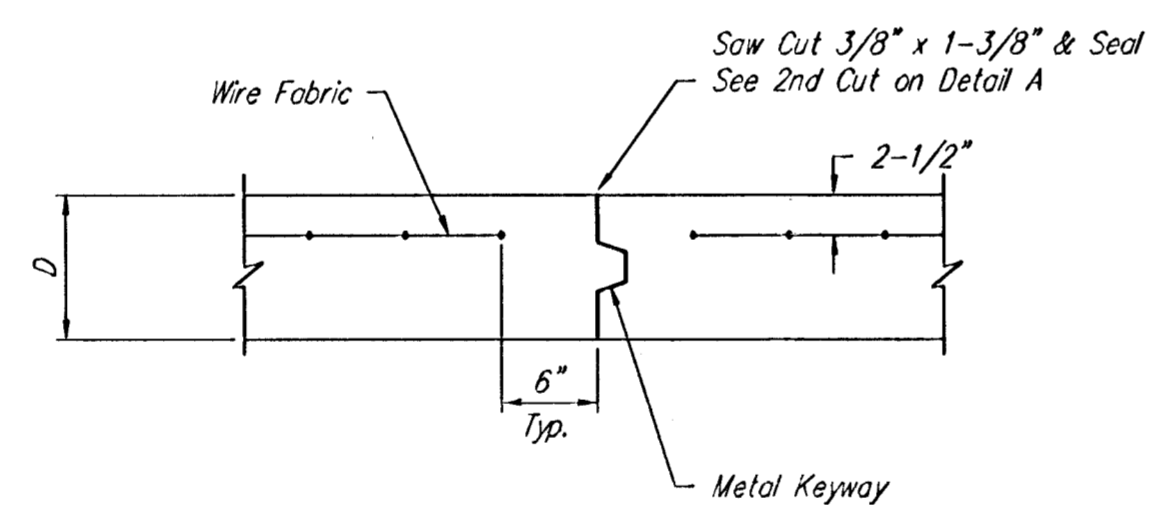
**CONTRACTION JOINT DETAIL (C.J.)**



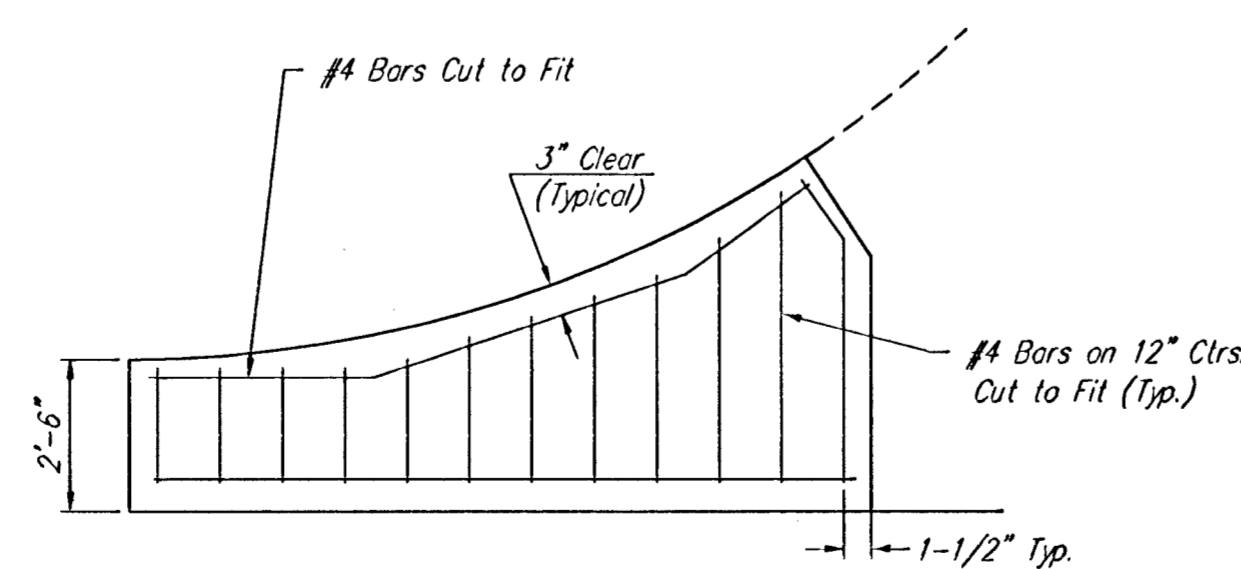
**LONGITUDINAL JOINT DETAIL (L.J.)**



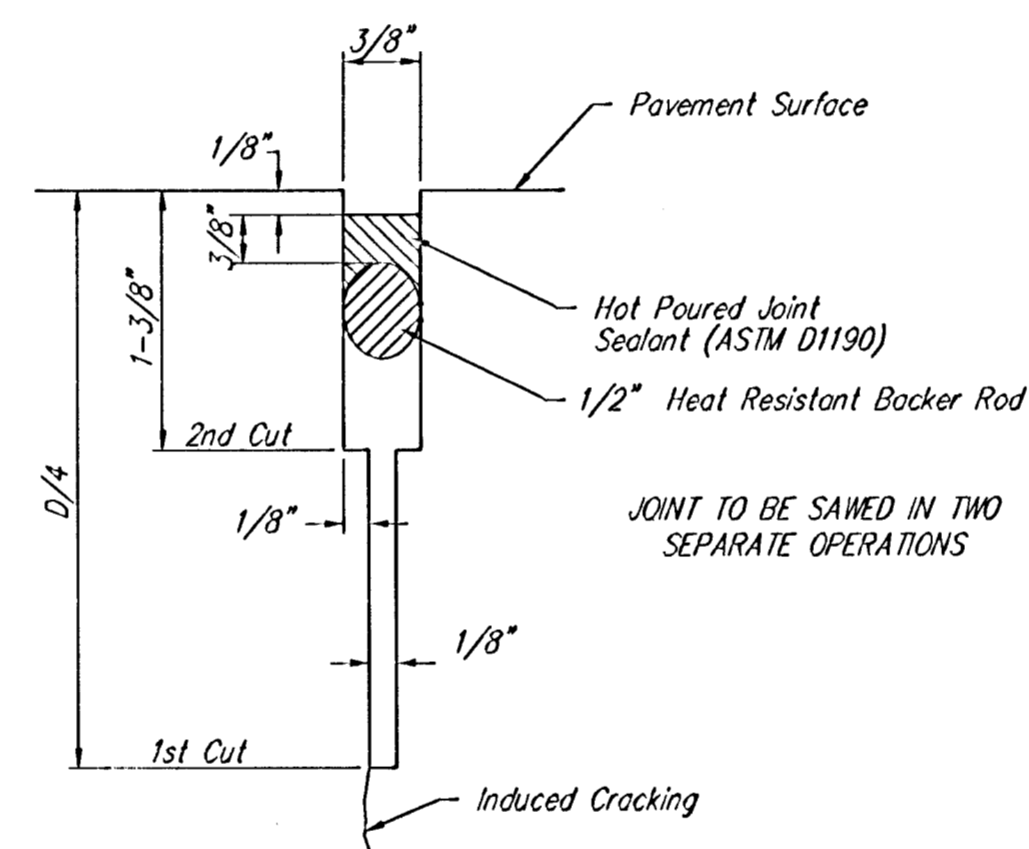
**OPTIONAL LONGITUDINAL JOINT DETAIL (L.J.) (CONSTRUCTION JOINT)**



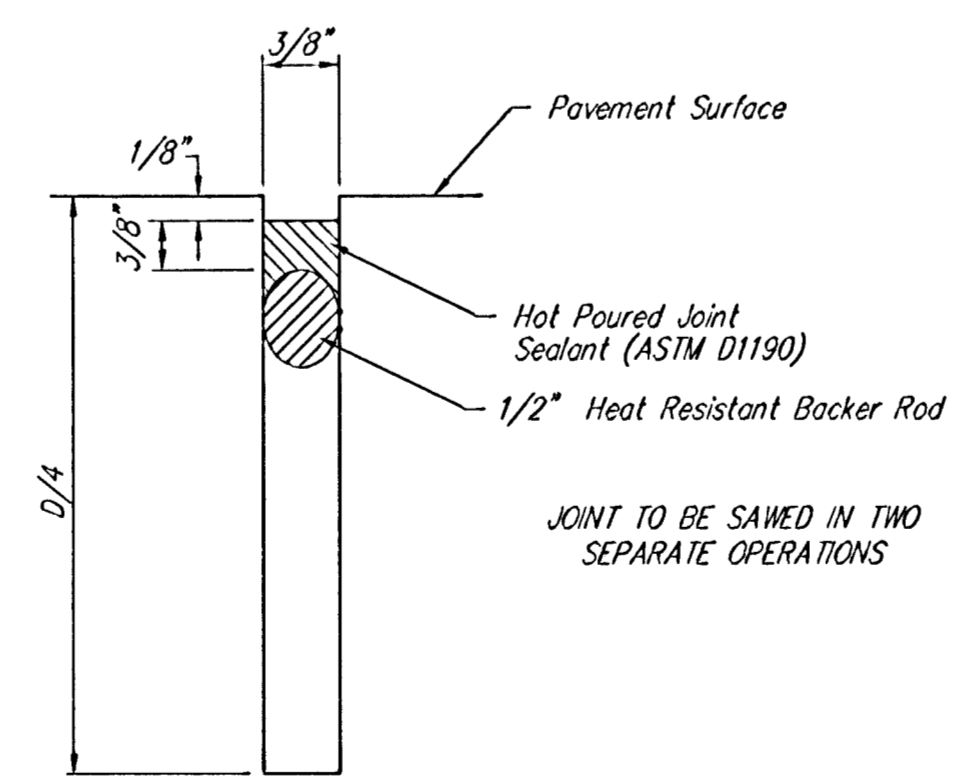
**OPTIONAL CONTRACTION JOINT (CONSTRUCTION JOINT)**



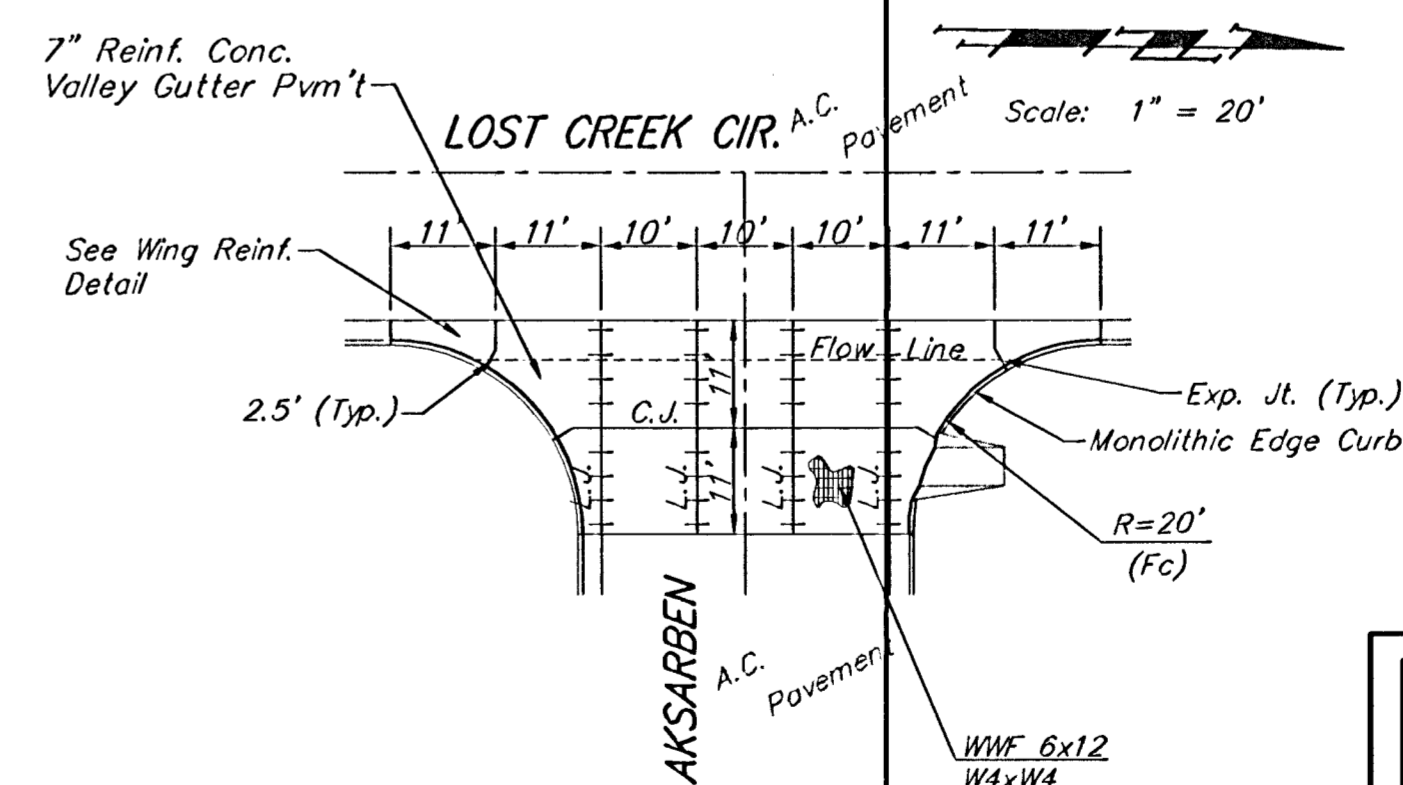
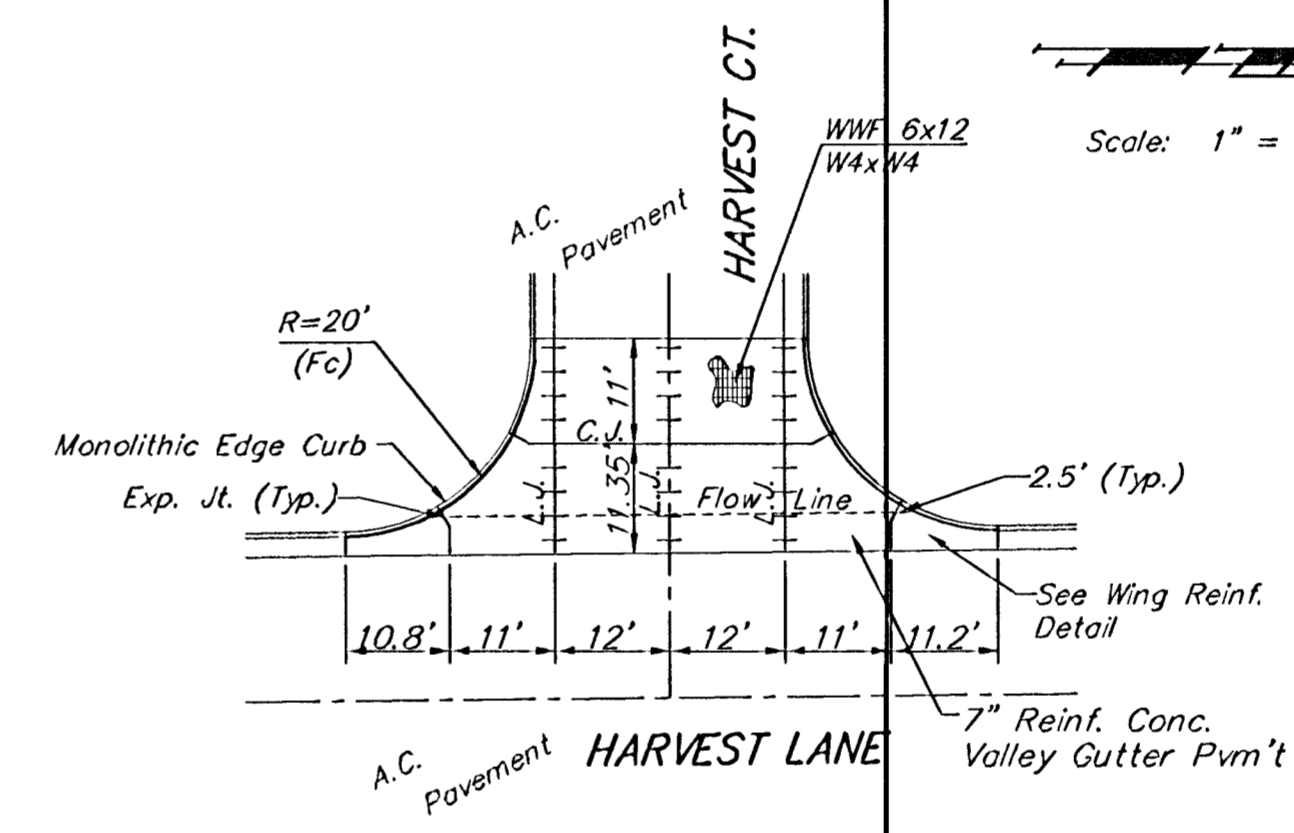
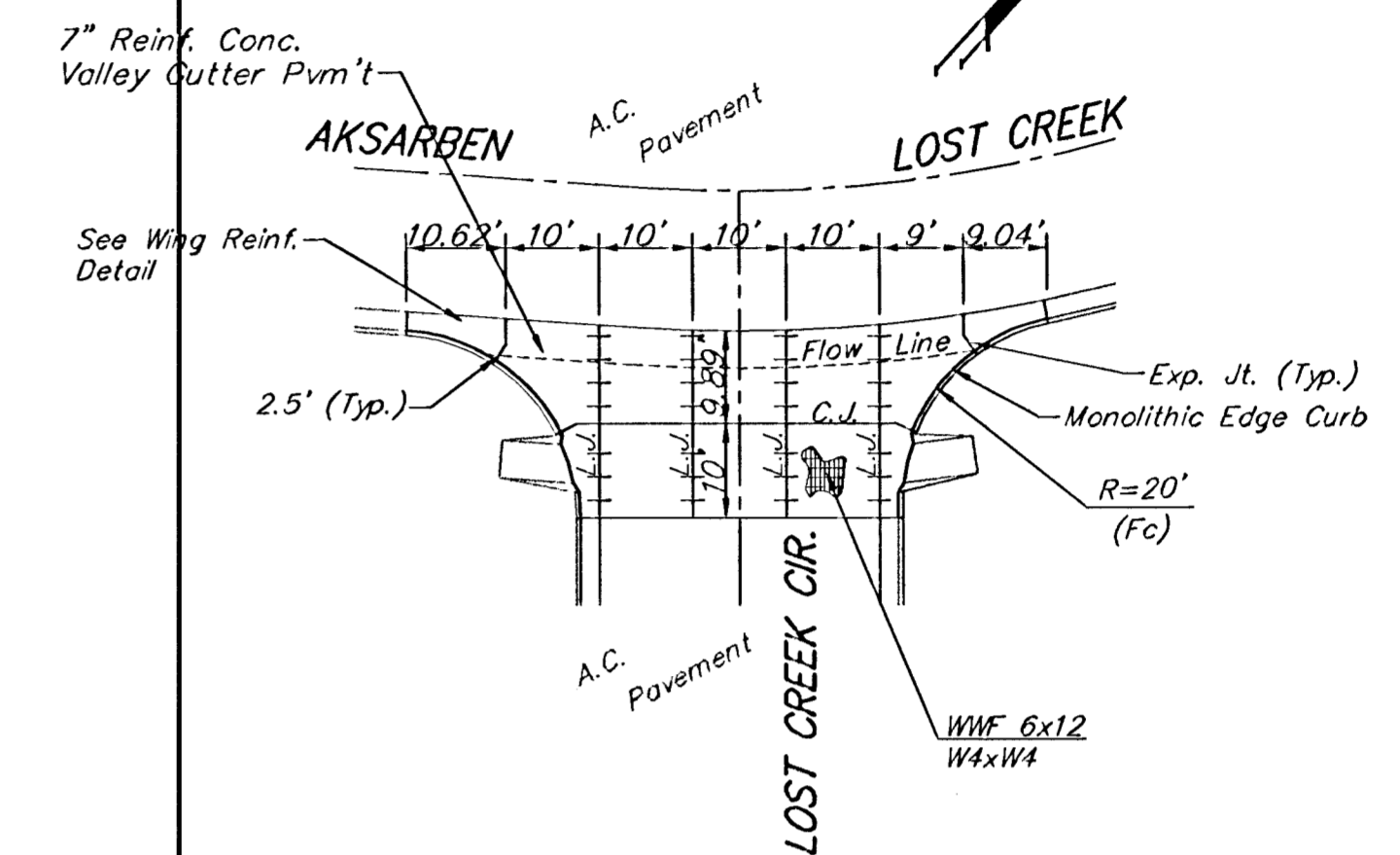
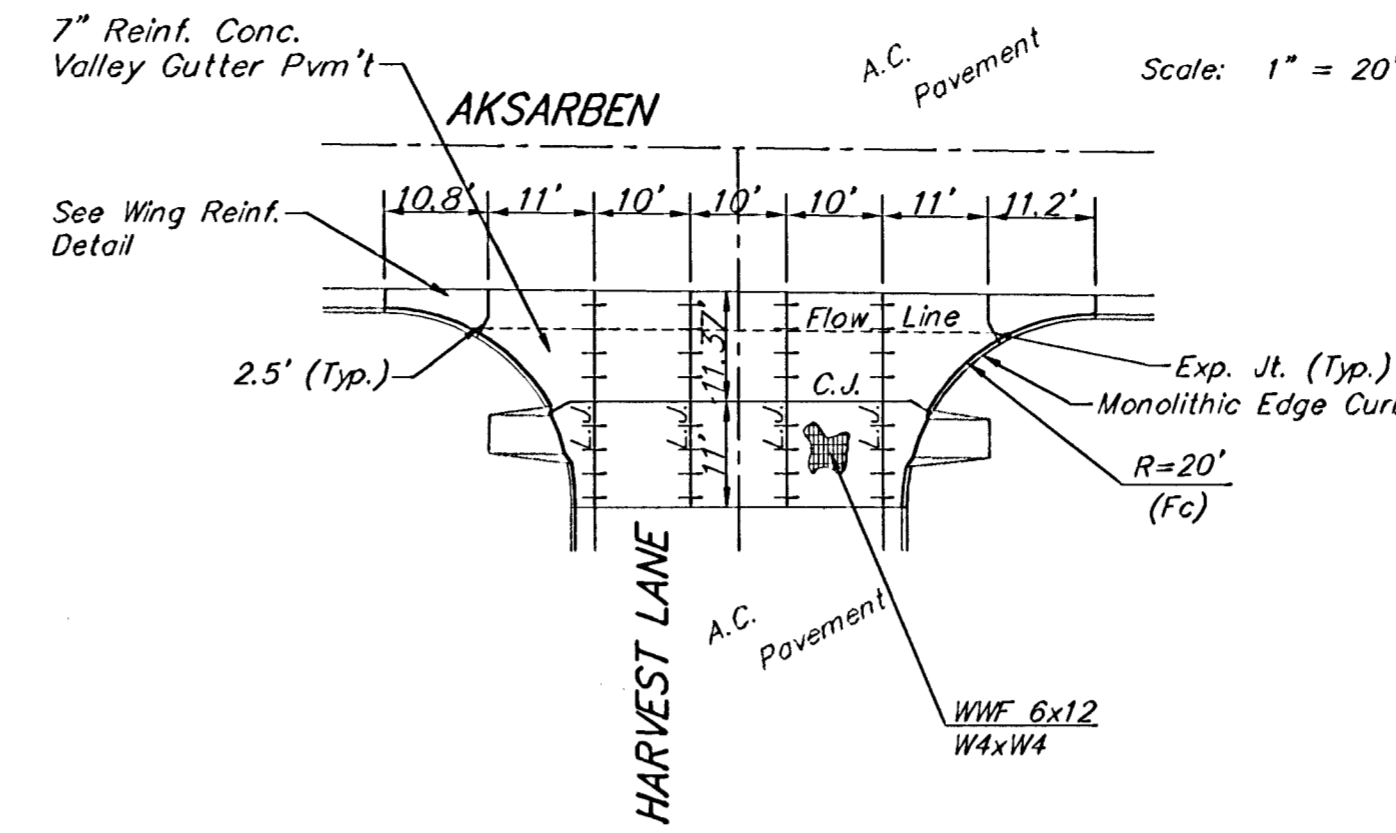
**WING REINFORCING DETAIL**



**SAW JOINT DETAIL "A"**



**SAW JOINT DETAIL "B"**



NOTE: 6" X 12" W4XW4 Wire Fabric Reinforcing Shall Be Placed So That The Wires With The 6" Spacing Will Run Parallel With The Longitudinal Joints.

<b>Baughman</b>		<b>Miscellaneous Pavement Details</b>	
Baughman Company, P.A. 315 Ellis St. Wichita, KS 67211 P 316-262-7271 F 316-262-0149			
ENGINEERING   SURVEYING   PLANNING   LANDSCAPE ARCHITECTURE			
PROJECT NUMBER 472-83671	DESIGN STAFF	DRAWN STAFF	DATE
REVISIONS:		APPROVED	4/06/05
		SCALE	NONE
		SHEET	<b>5 OF 30</b>
CopperGate/egleat		0406E956	