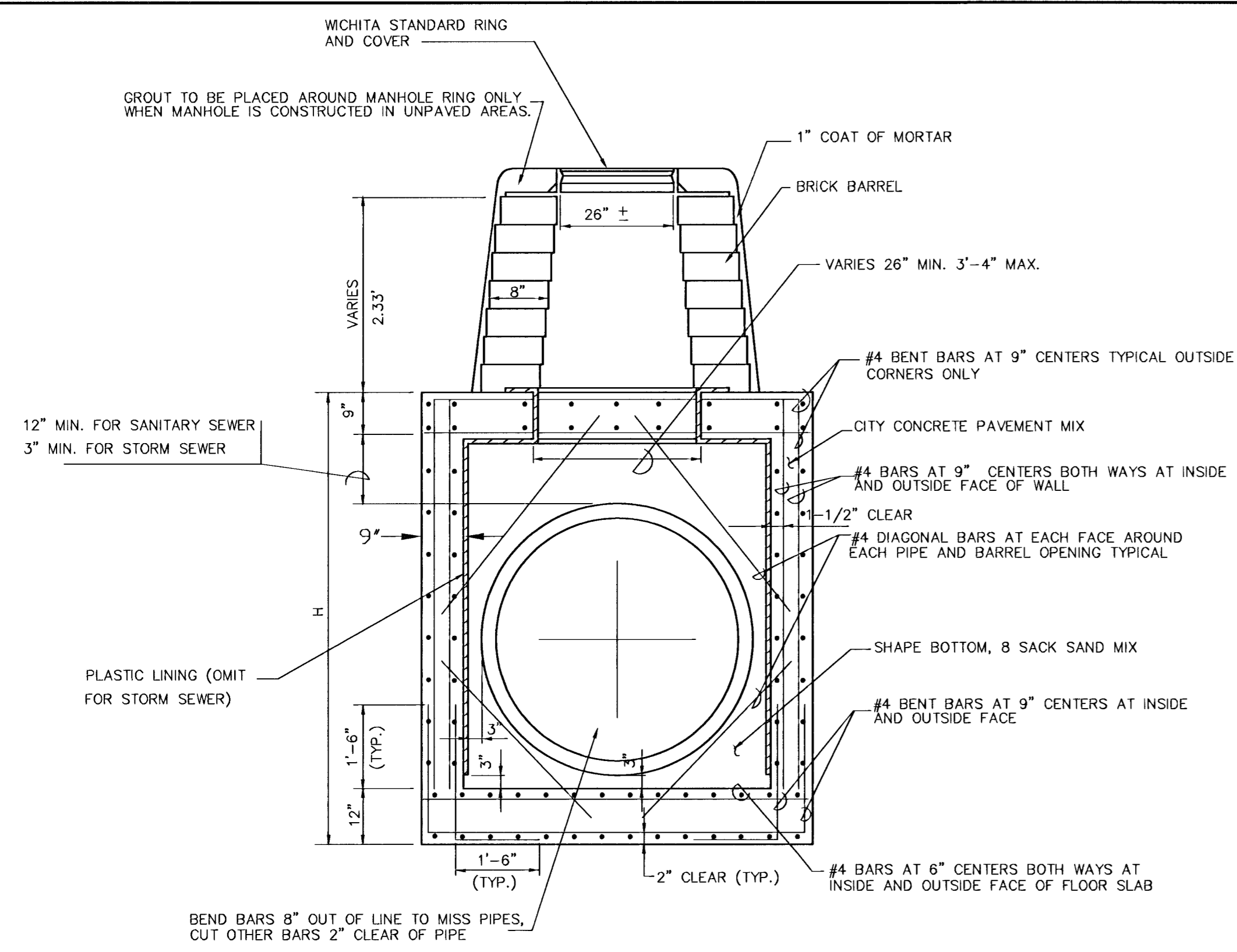
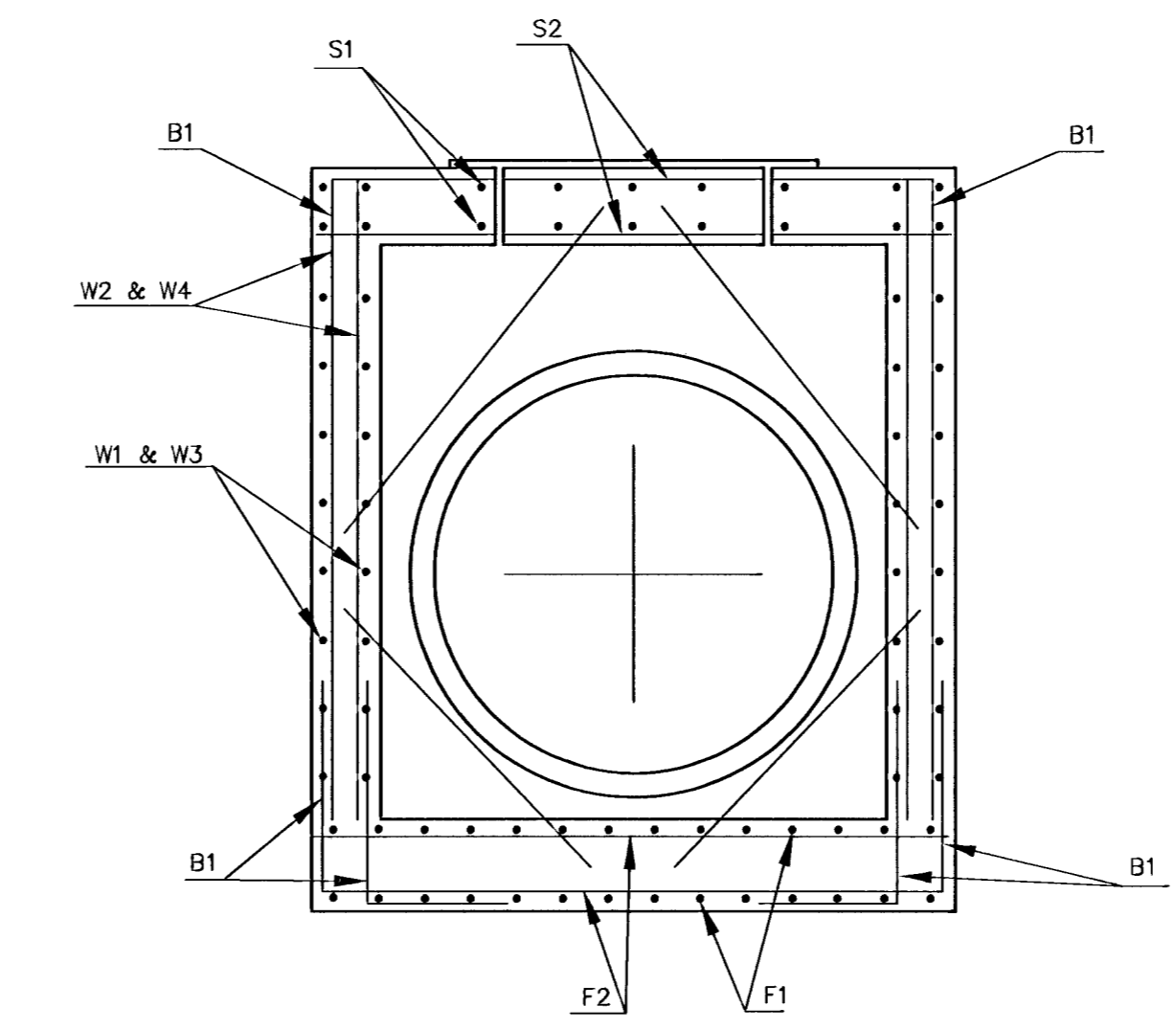


FHWA REG NO.	STATE	PROJECT NO.	YEAR	SHEET NO.	SHEETS
7	KANSAS	87N 0064-01	1997	39	130



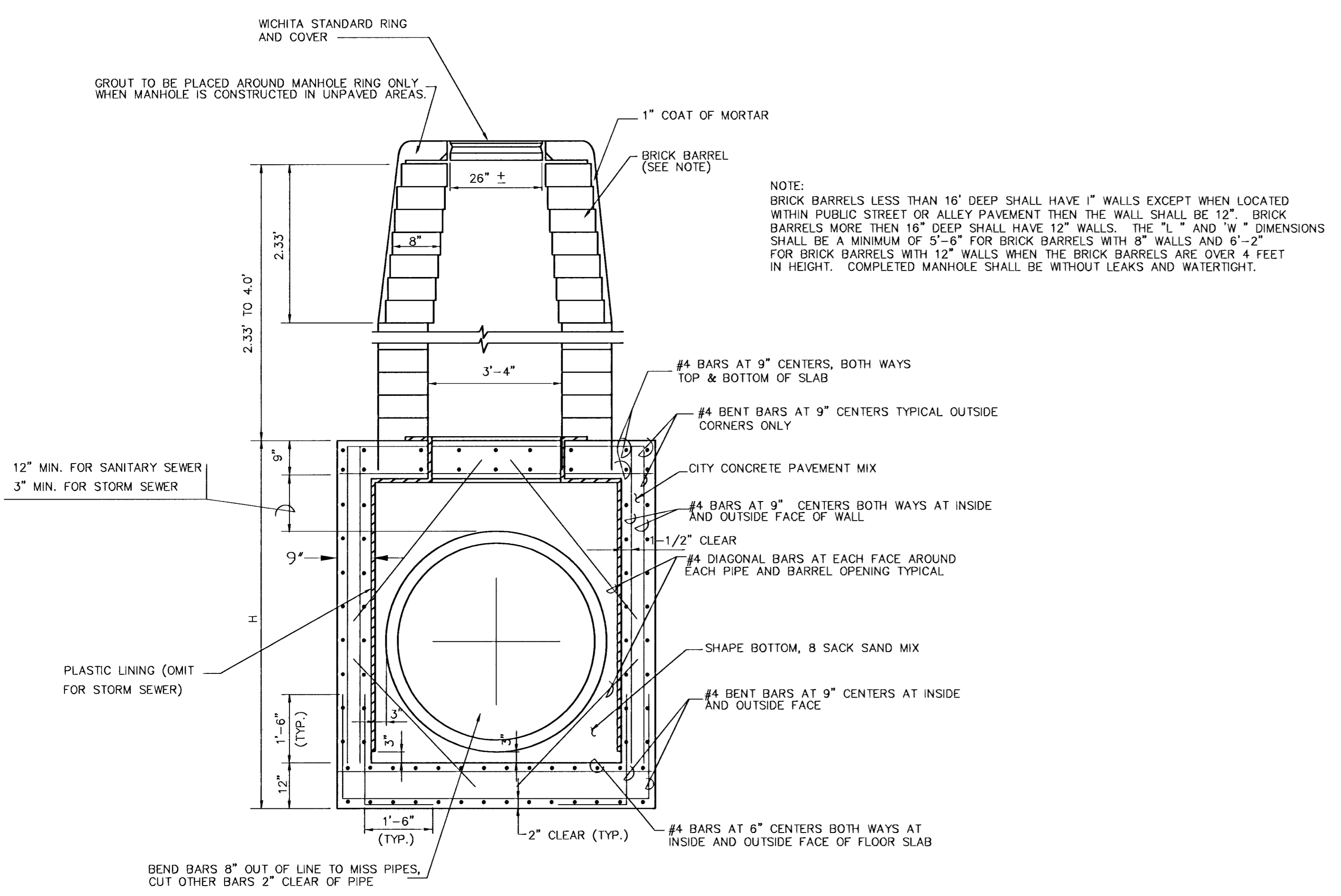
**REINFORCED CONCRETE MANHOLE**

DEPTH OF STACK: 0' TO 2.33'



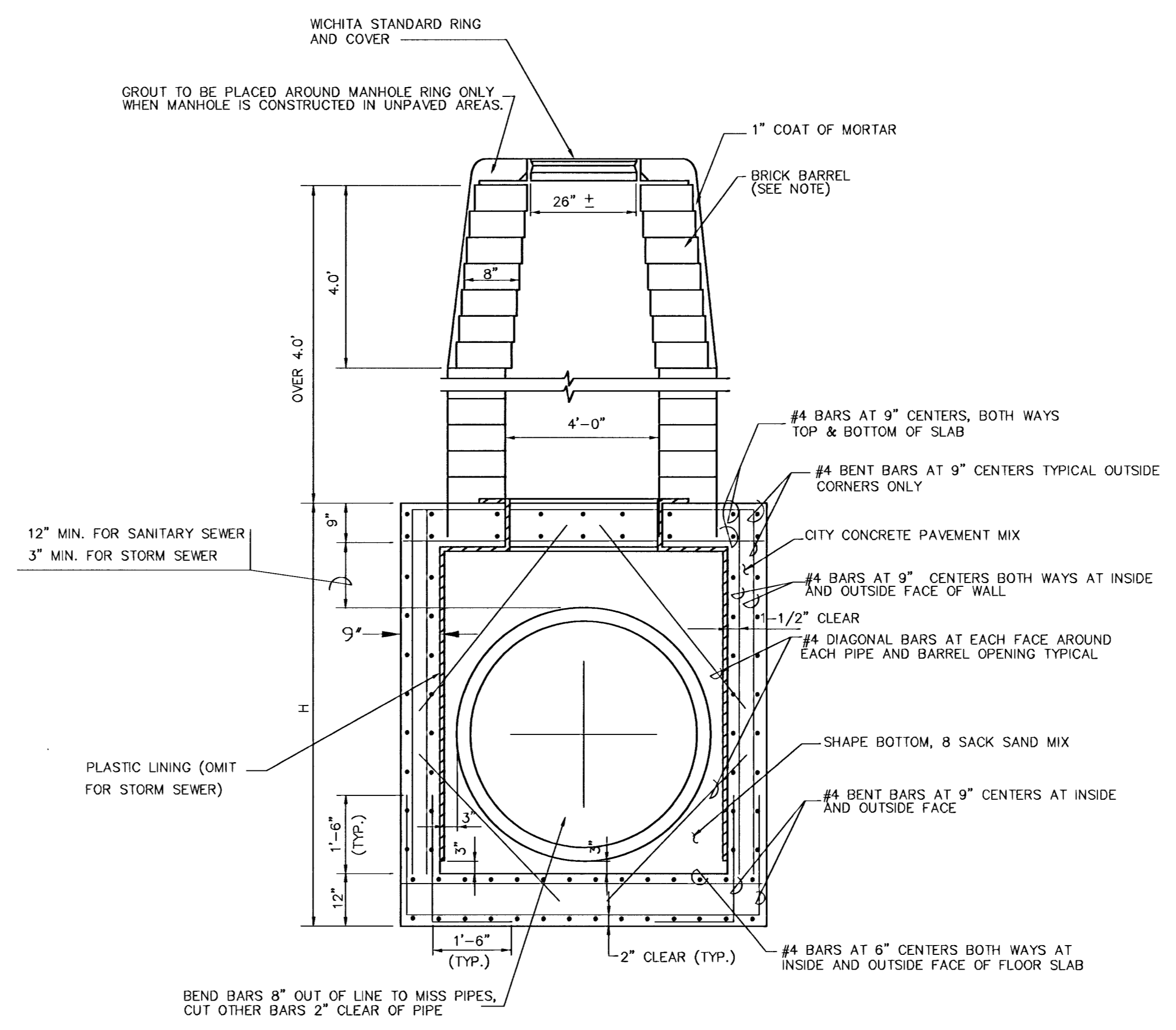
**REINFORCED CONCRETE MANHOLE**

BAR MARK DETAIL  
SEE SHEET 46 FOR REINFORCING STEEL FOR INLETS AND MANHOLES



**REINFORCED CONCRETE MANHOLE**

DEPTH OF STACK: 2.33' TO 4.0'



**REINFORCED CONCRETE MANHOLE**

DEPTH OF STACK: OVER 4.0'

KANSAS DEPARTMENT OF TRANSPORTATION  
STANDARD DETAILS  
REINFORCED CONCRETE MANHOLES  
PROJECT NO. 87N 0064-01 SEDGWICK CO.  
MID-KANSAS ENGINEERING CONSULTANTS, INC.  
WICHITA, KANSAS

DESIGNED BY:	CHECKED BY:
DRAWN BY:	DATE:

SHEET 39 OF 130

H:\CIVIL\SENECA\94005\DETAILED\REINFORMS.FR1 MAY 30 11:41:34 1997