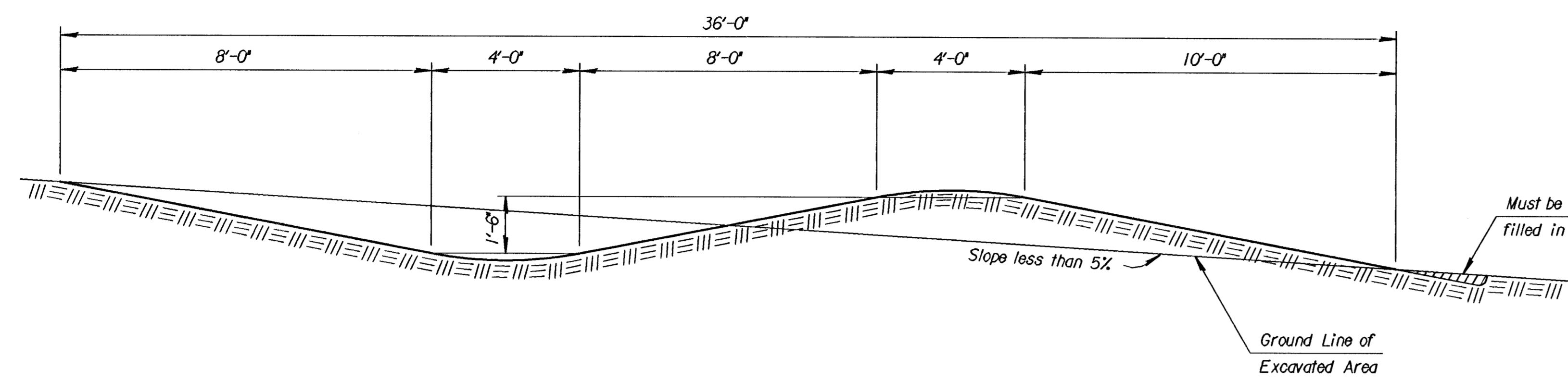
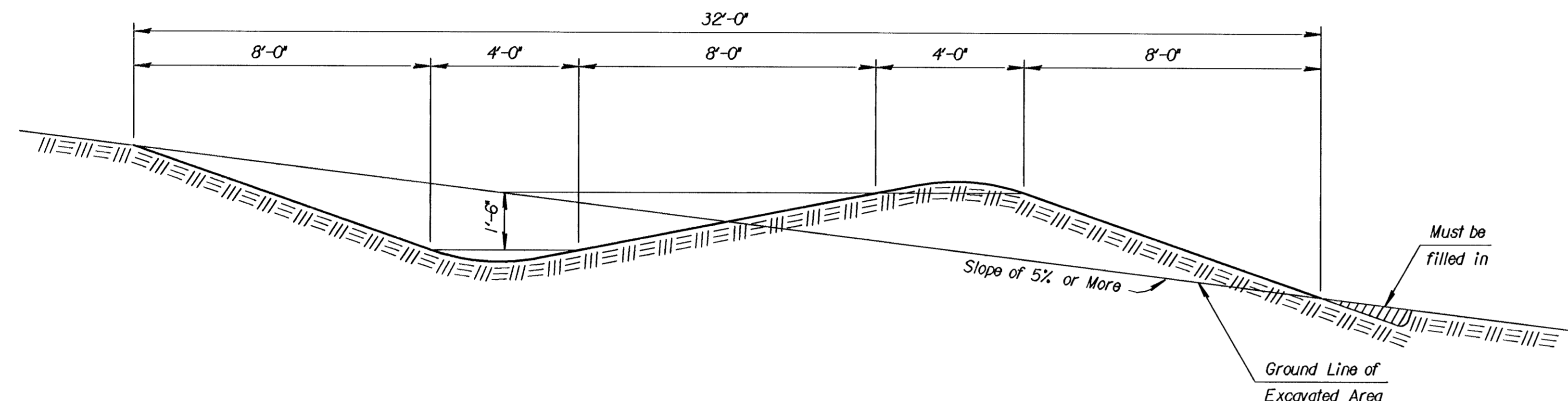


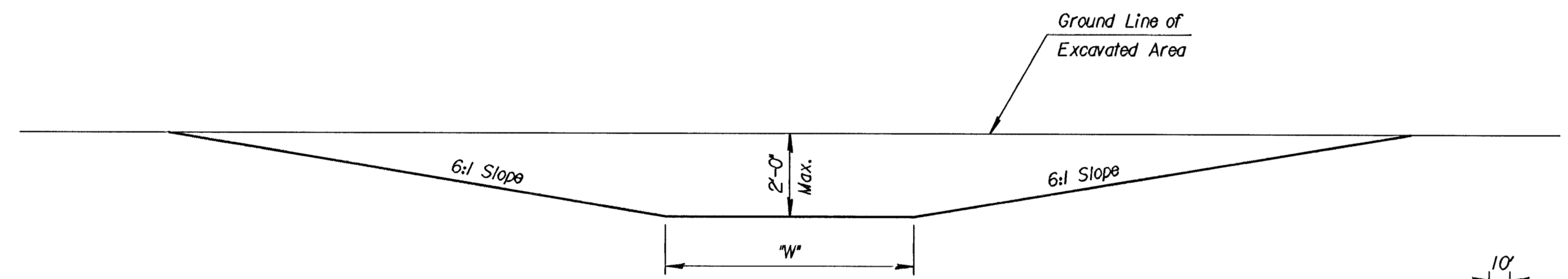
FHWA REGION NO.	STATE	PROJECT NO.	YEAR	SHEET NO.	TOTAL SHEETS
7	KANSAS	87N 0064-01	1997	58	130



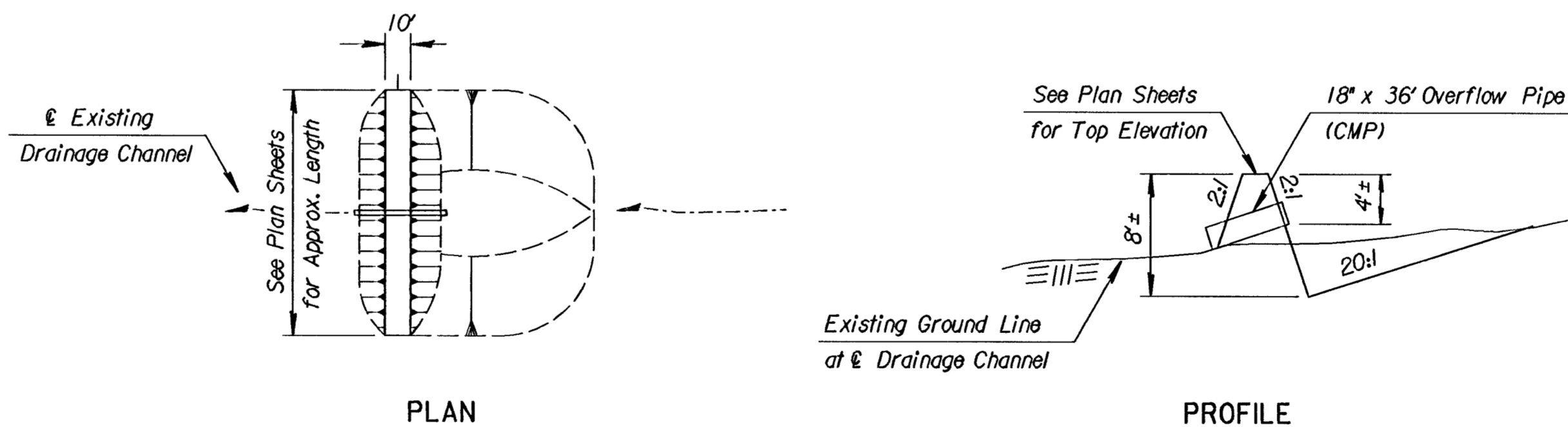
Slope %	Vertical Interval Feet	Horizontal Spacing Feet
1	2.65	265
2	3.30	165
3	3.95	132
4	4.60	115
5	5.25	105
6	5.90	98
7	6.55	94
8	7.20	90



TYPICAL SECTIONS OF GRADIENT TERRACES



TYPICAL SECTION OF OUTLET DITCH



PLAN PROFILE  
TEMPORARY SEDIMENT BASIN

Drainage Area above Dt./Acres	Value of 'W' for various % of Ditch Grades					
	3%	4%	5%	6%	7%	8%
2-5	8'	8'	8'	8'	12'	14'
5-8	8'	8'	8'	10'	12'	16'
8-11	8'	8'	8'	10'	12'	16'
11-14	8'	8'	8'	10'	14'	18'
14-17	8'	8'	8'	12'	14'	20'
17-20	8'	8'	8'	12'	14'	24'

NOTE:  
Temporary Sediment Basins shall be constructed at locations indicated in the plans or as directed by the Engineer. All work and materials necessary for the construction of Temporary Sediment Basins shall be paid for as the bid item "Temporary Sediment Basin". The 18" (inch) x 36' (foot) overflow pipe will be subsidiary to the bid item "Temporary Sediment Basin". The Temporary Sediment Basins shall be removed by District forces after seeding has been established if desired by the respective land owners.

GENERAL NOTE

Terraces generally will not be required where the slope of the area is less than 3 percent. They shall be constructed on areas or portions of areas as designated by the Engineer.  
Terraces shall be made as nearly parallel as practicable. Gradients for terraces shall vary from 0.1 percent at upper end to 0.4 percent at lower end or a uniform grade may be used.  
Outlet ditches shall be constructed at locations best suited to empty into a natural stream bed, or if this is not possible, into a road ditch or channel where erosion can be minimized.

NOTE:  
All dimensions are approximate.

NO.	DATE	REVISIONS	BY	APP'D
3				
2				
1	2-14-95	Revised Note for Temp. Sed. Basin	WCL	RDR

KANSAS DEPARTMENT OF TRANSPORTATION

TEMPORARY PROJECT WATER POLLUTION CONTROL (SOIL EROSION)

LA852B

F.H.W.A. APPROVAL	5-11-95	APP'D	Richard D. Ross
DESIGNED	MLH	DETAILED	WCL
DESIGN CK.	RDR	DETAIL CK.	RDR
		QUANTITIES	TRACED
		QUANTITIES	TRACE CK.

Drawn By: \$\$\$USERNAME\$\$\$  
DGN File: \$\$\$DGNFILE\$\$\$  
Plotted: \$\$\$STRTIME\$\$\$ View= PLOT 1