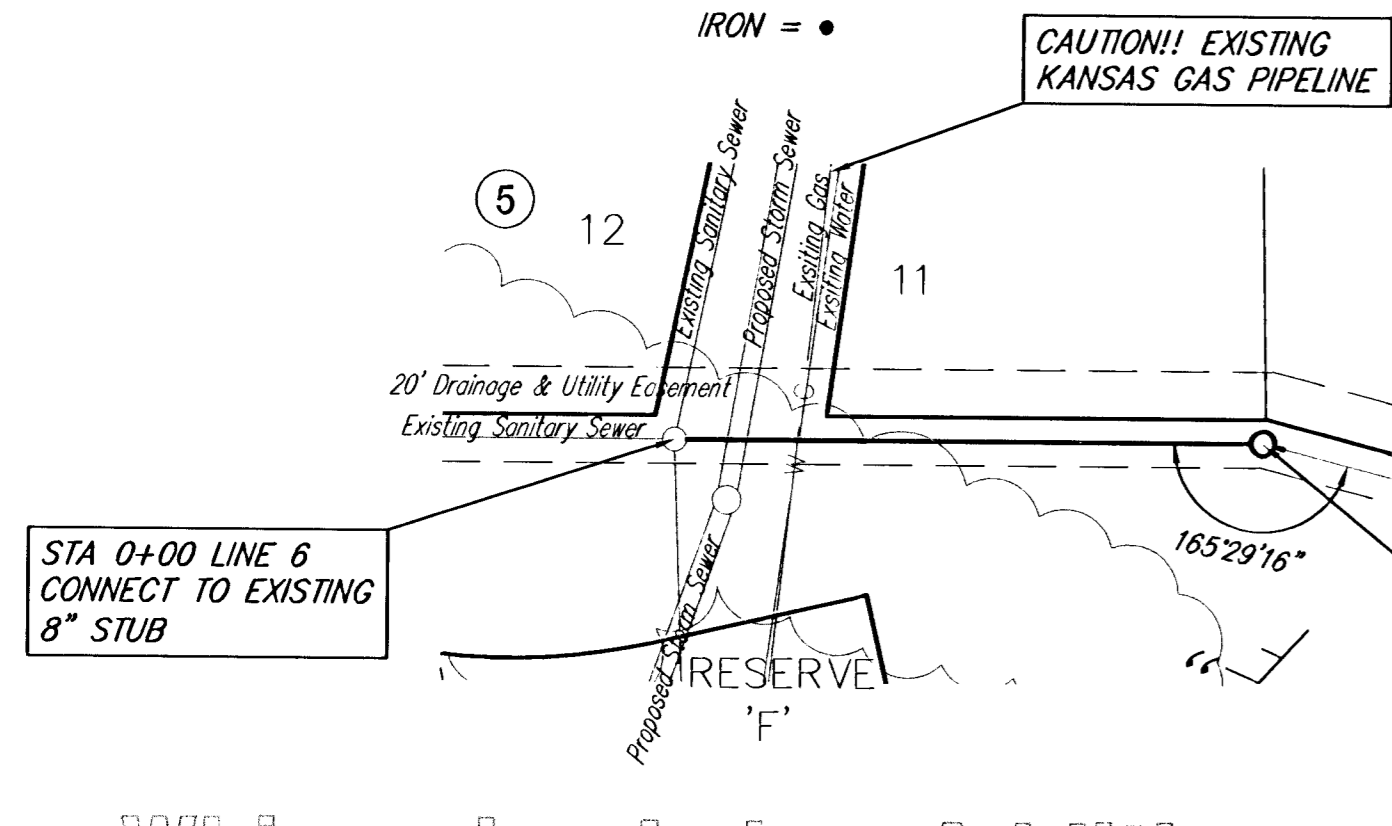
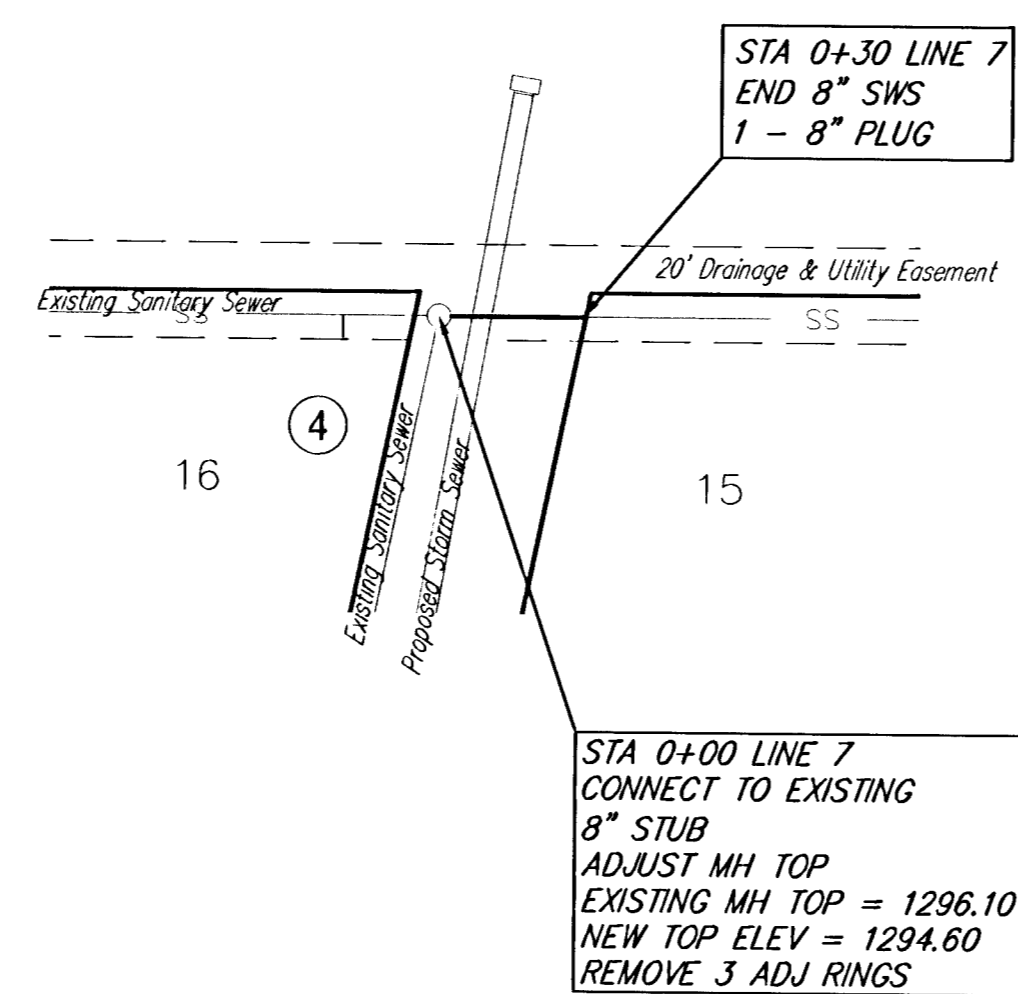


SCALE: Plan 1" = 40'
 Profile 1" = 40' Horiz.
 1" = 5' Vert.
 IRON = ●



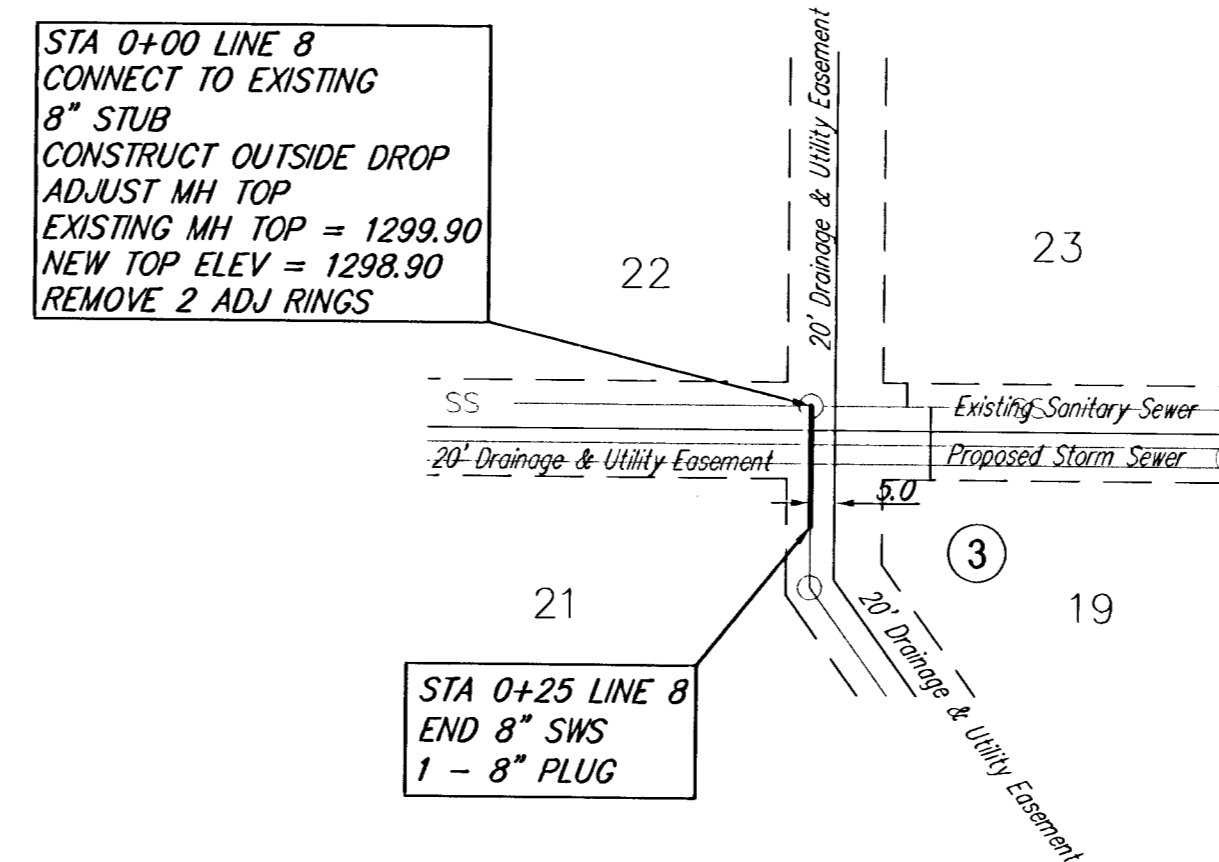
Whispering Lakes Addition

Whispering Lakes Addition

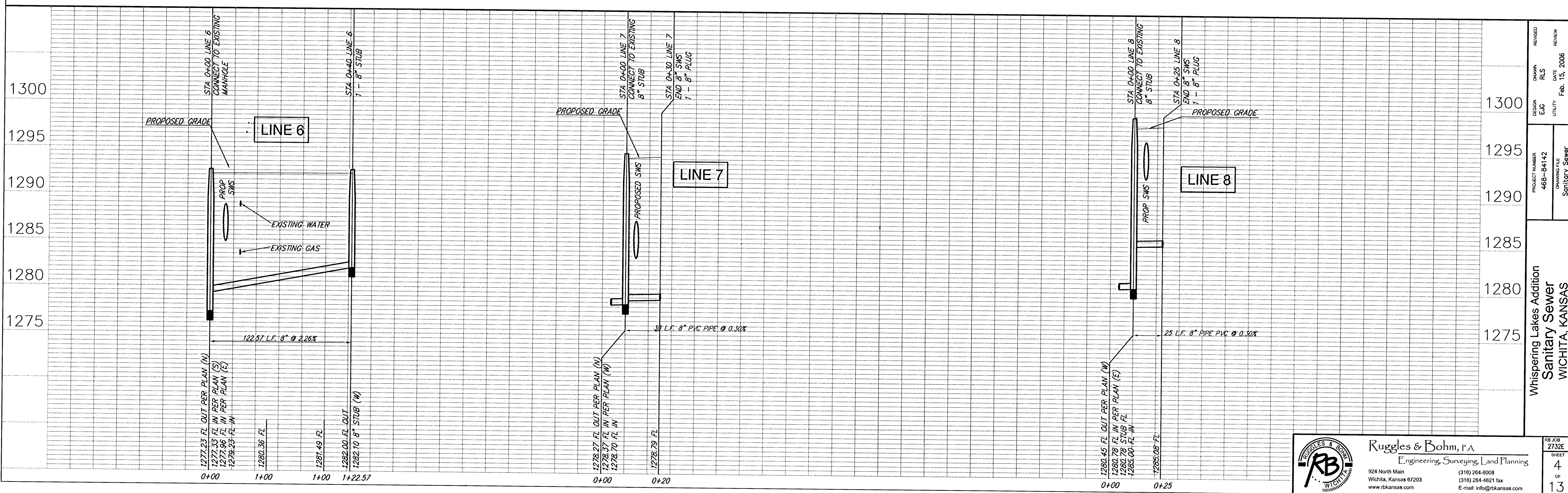


SCALE: Plan 1" = 40'
 Profile 1" = 40' Horiz.
 1" = 5' Vert.
 IRON = ●

Whispering Lakes Addition



SCALE: Plan 1" = 40'
 Profile 1" = 40' Horiz.
 1" = 5' Vert.
 IRON = ●



DESIGN	REVISION
EJG	RLS
UTILITY	DATE
	Feb. 15, 2006
PROJECT NUMBER	468-84142
DRAWING FILE	Sanitary Sewer
Whispering Lakes Addition	
Sanitary Sewer	
WICHITA, KANSAS	
RB JOB	2732E
SHEET	4
OF	13

Ruggles & Bohm, P.A.
 Engineering, Surveying, Land Planning
 924 North Main
 Wichita, Kansas 67203
 www.rtkansas.com
 (316) 264-8008
 (316) 264-4621 fax
 E-mail: info@rtkansas.com