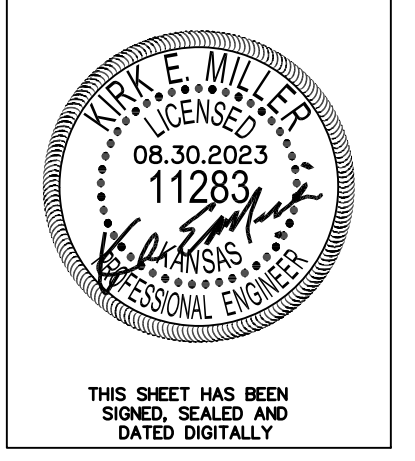
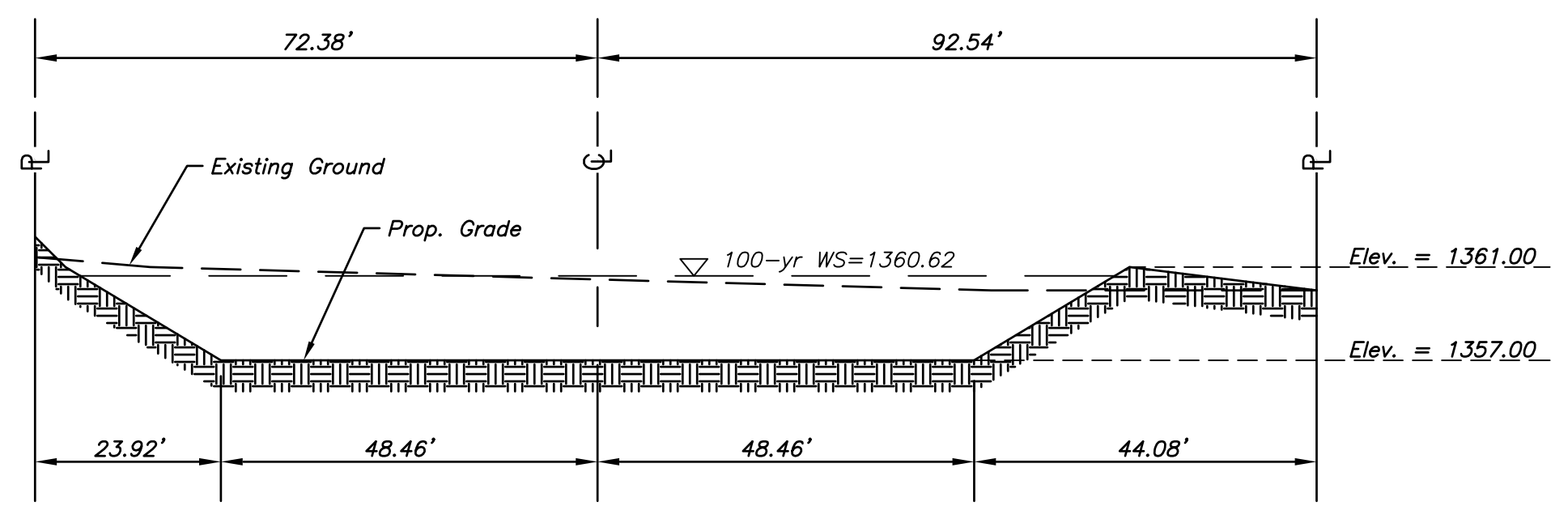


Radius Point  
N=1677366.90  
E=1682341.00

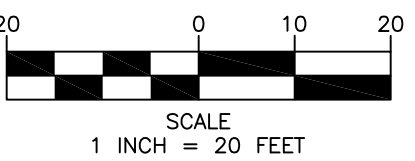
Radius Point  
N=1677365.82  
E=1682285.30

Radius Point  
N=1677334.18  
E=1682238.56

Section A-A  
Detention Pond



THIS SHEET HAS BEEN  
SIGNED, SEALED, AND  
DATED DIGITALLY



Buena Vista Addition  
Pond Plan  
Wichita, Kansas

**KEMILLER**  
ENGINEERING  
117 E. Lewis, Wichita, KS 67202 (316)264-0242

KEM PROJ. 18085	DATE 05.2023	SHEET 5.0
DESIGN KEM	DRAWN ZJS	

September 15, 2023