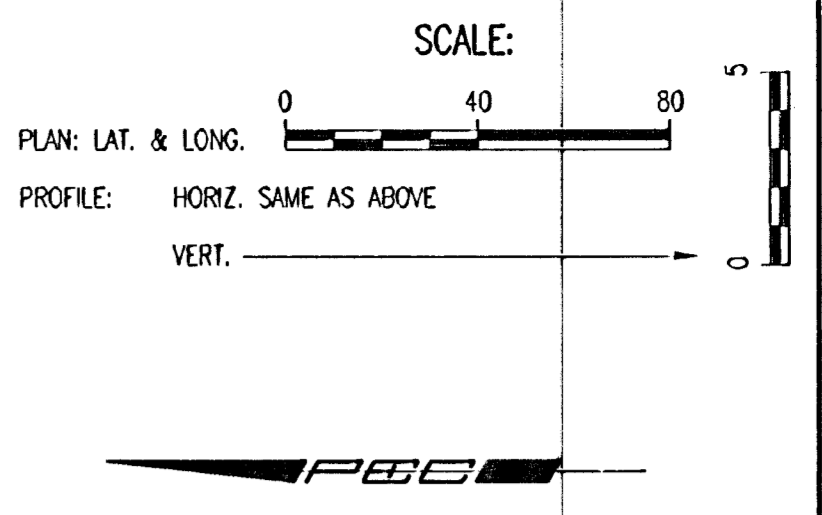
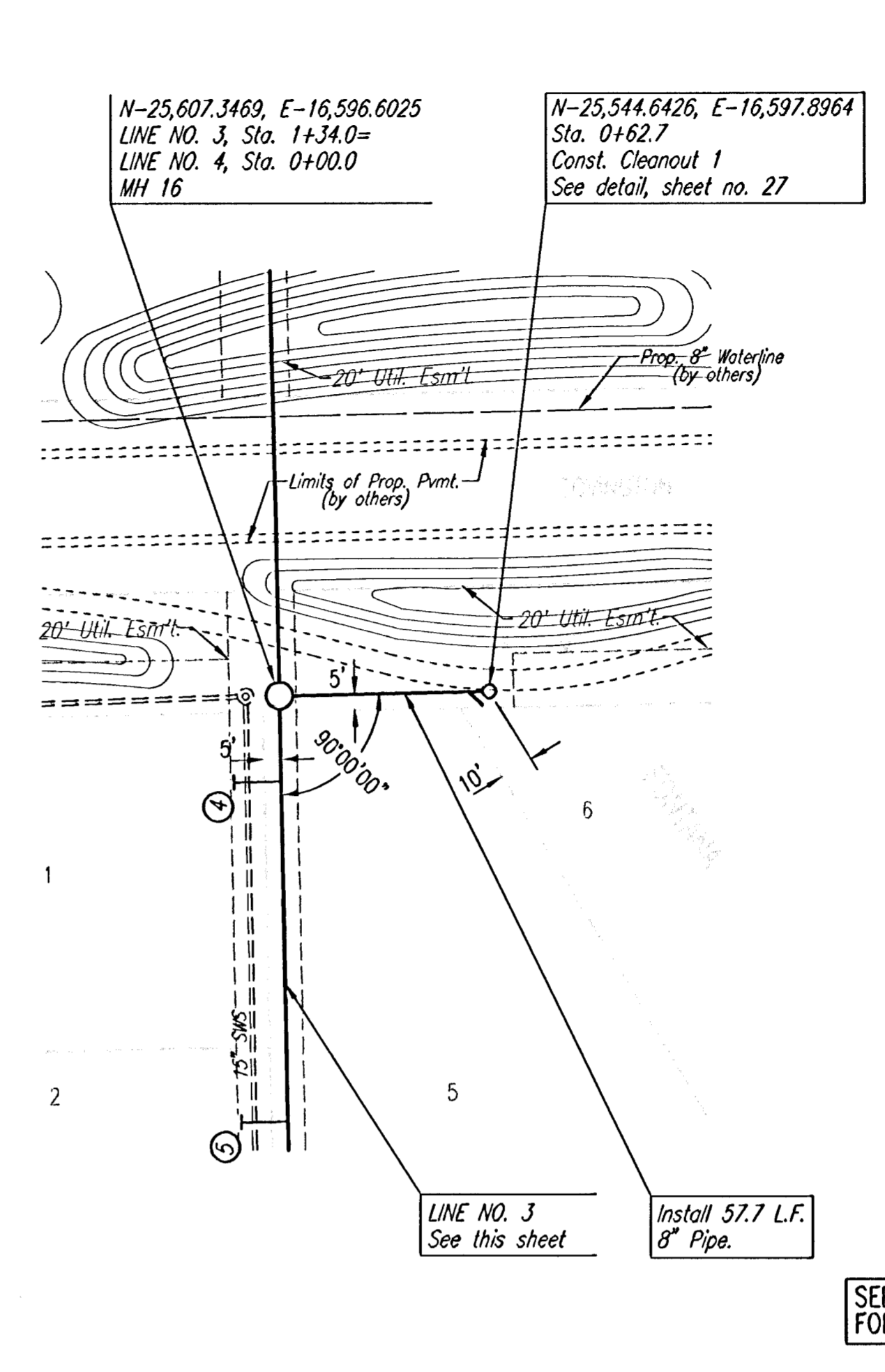
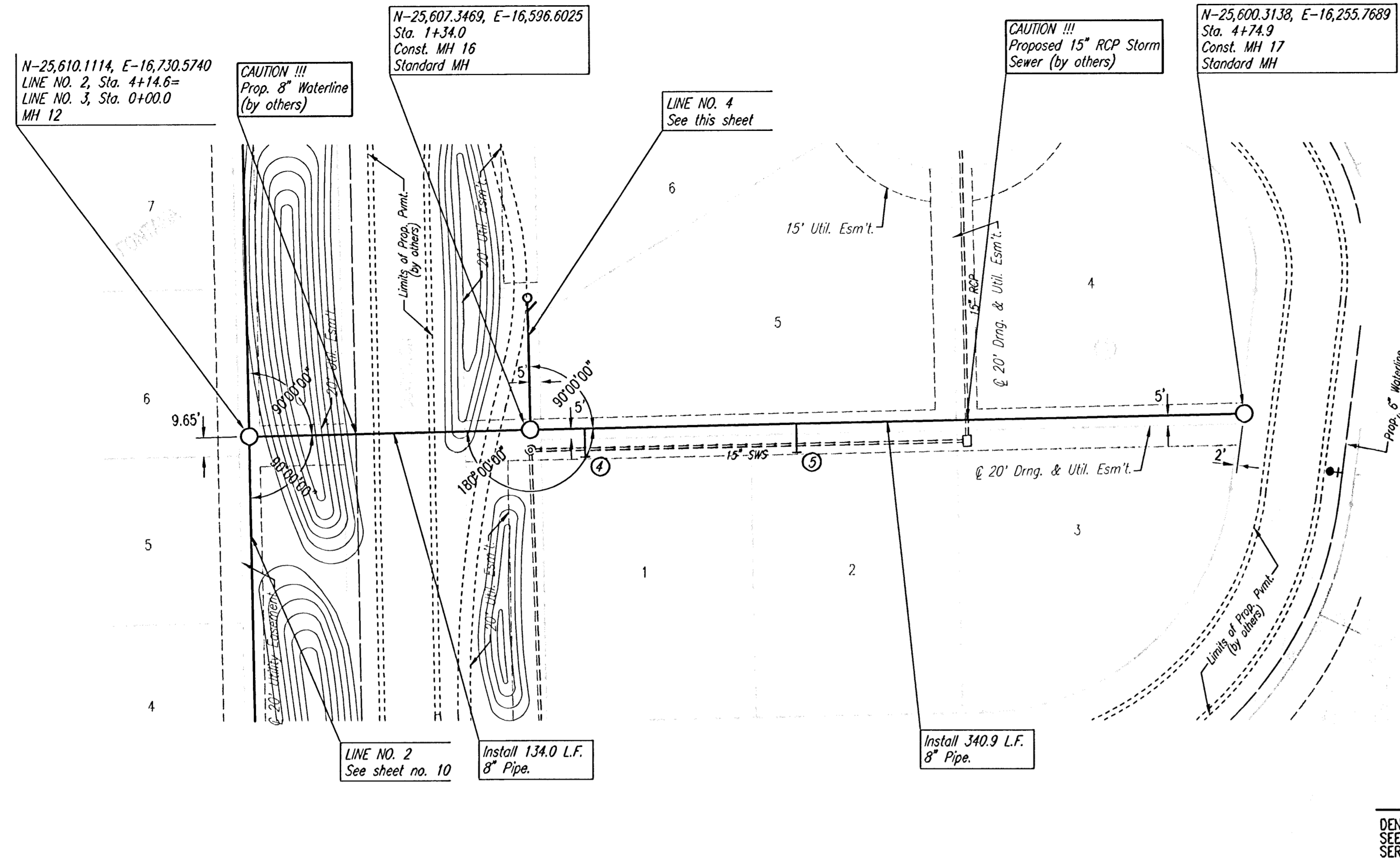


BY	DATE
CHECKED	CHECKED
PLAN	

BY	DATE
CHECKED	CHECKED
PROFILE	

DSNR: MDK OPER: ILB SCALE: 1"=40.00
 Q:\2004\04485\002\SSPP07 11-15-2005 01:21:16 pm



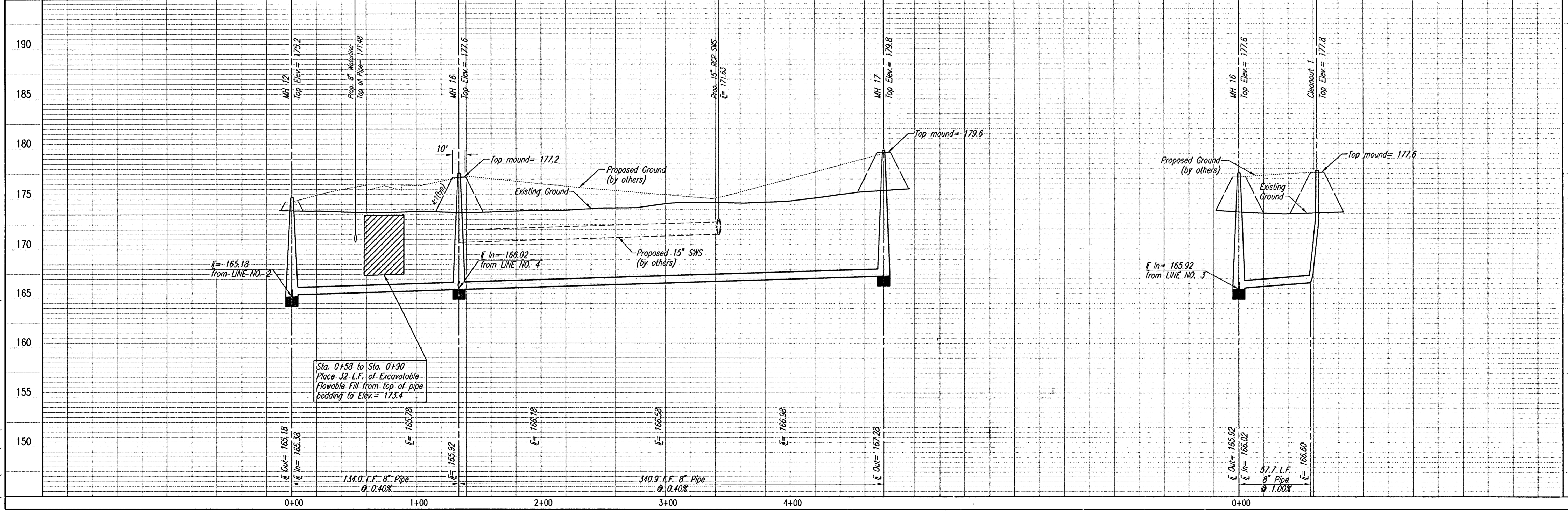
①
②
DENOTES SEWER SERVICE.
SEE SHEET NO. 29 FOR SEWER
SERVICE SCHEDULE AND DETAILS

SEE SHEETS NO. 3, 4 & 5
FOR PLAT COORDINATES



SANITARY SEWER LINE NO. 3

SANITARY SEWER LINE NO. 4



LATERAL 5, MAIN 7
OF THE NORTHWEST INTERCEPTOR SEWER

SANITARY SEWER LINE NO. 3 & 4

JAMES L. ARMOUR, P.E., ACTING CITY ENGINEER
CITY OF WICHITA PROJECT NO. 488-5877

Professional Engineering Consultants, P.A.
303 S. TOPEKA - WICHITA, KANSAS 67202
316-262-2691 • FAX 316-262-3003

Designed By: MDK
Drawn By: TLB
Job No.: 35-04485-002
Date: September 2004