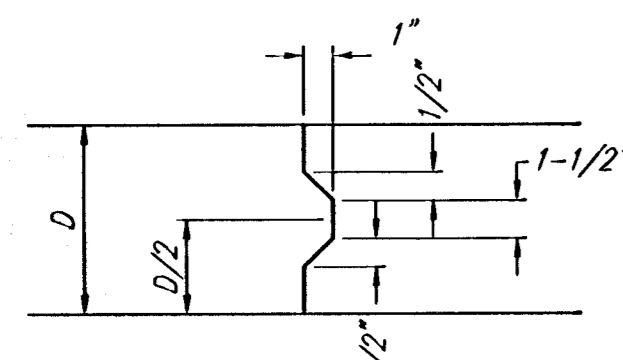
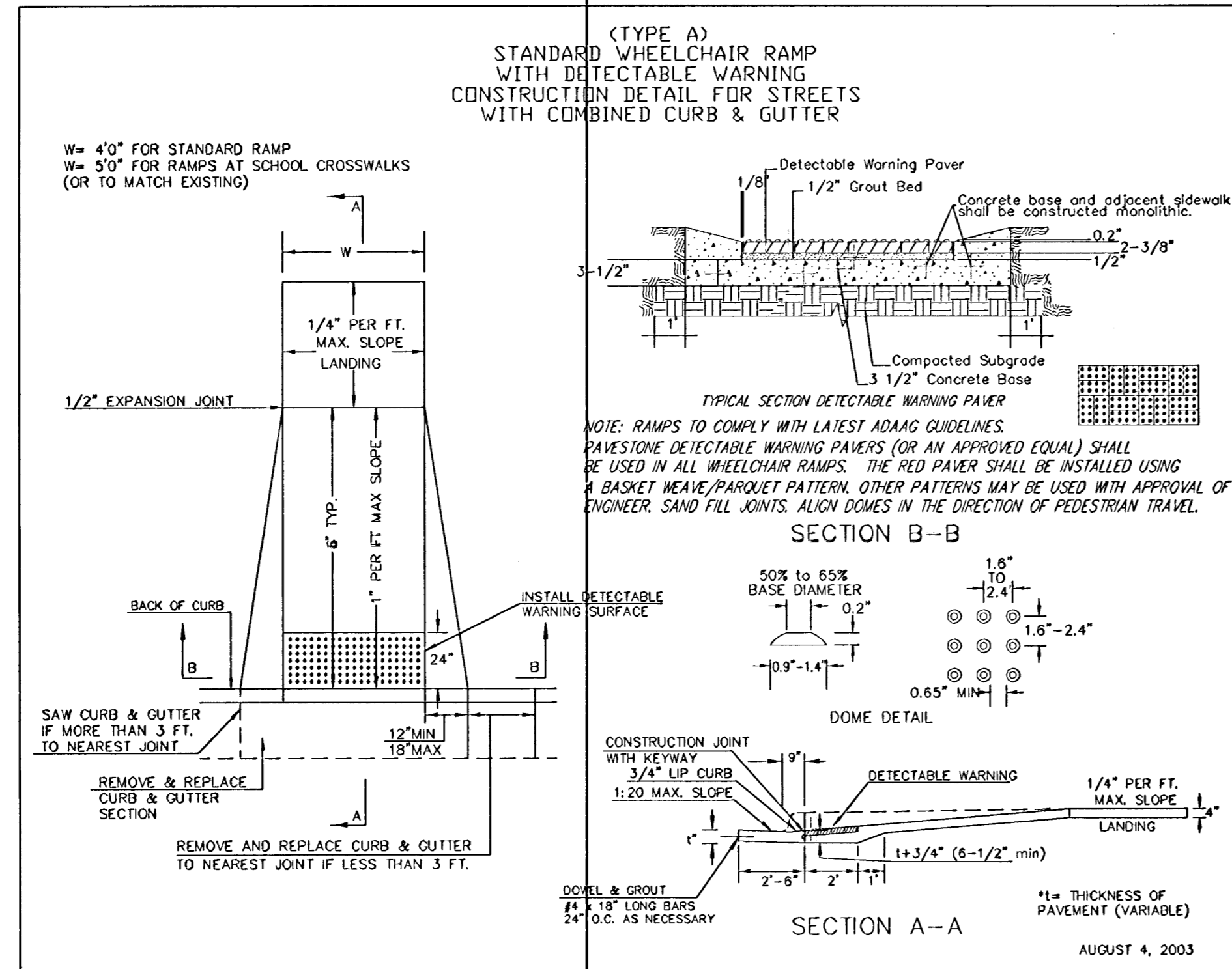


EXPANSION JOINT

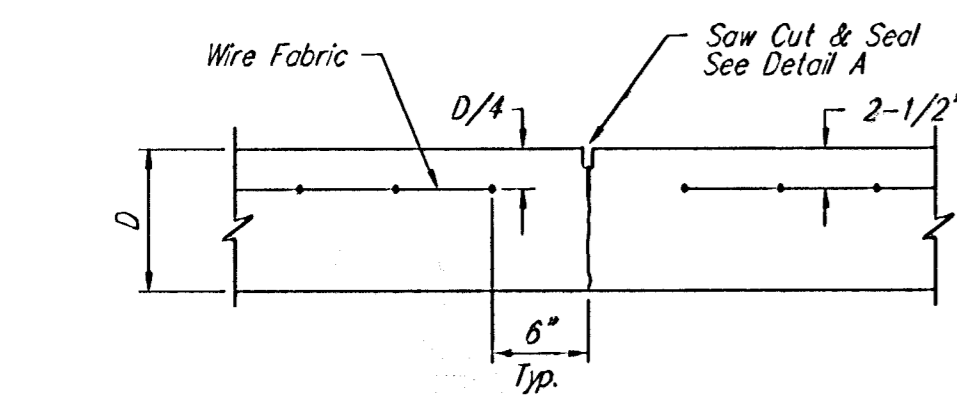
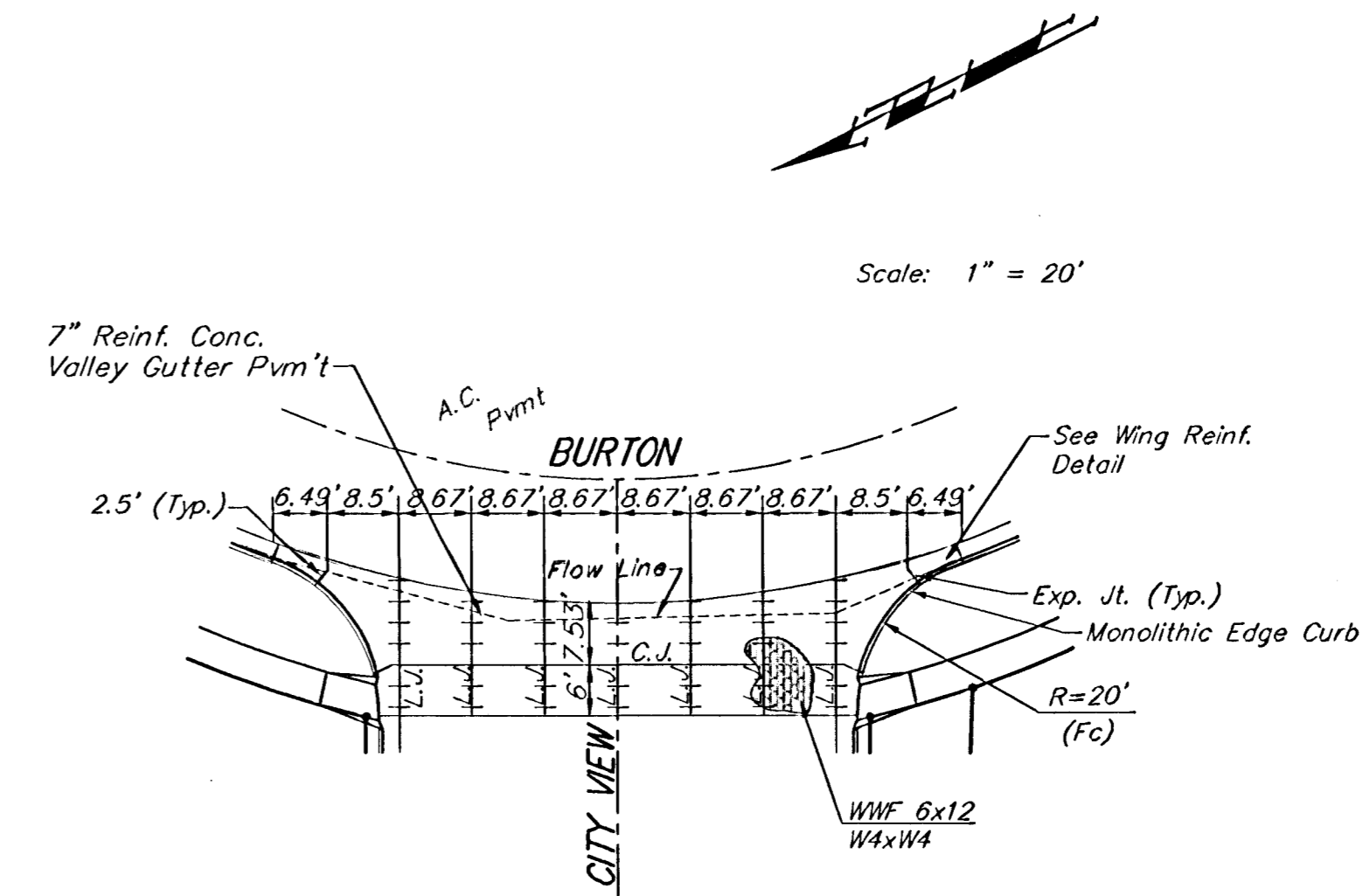
NOTE: Extra Thickness to be Subsidiary to Price of Square Yards Pavement



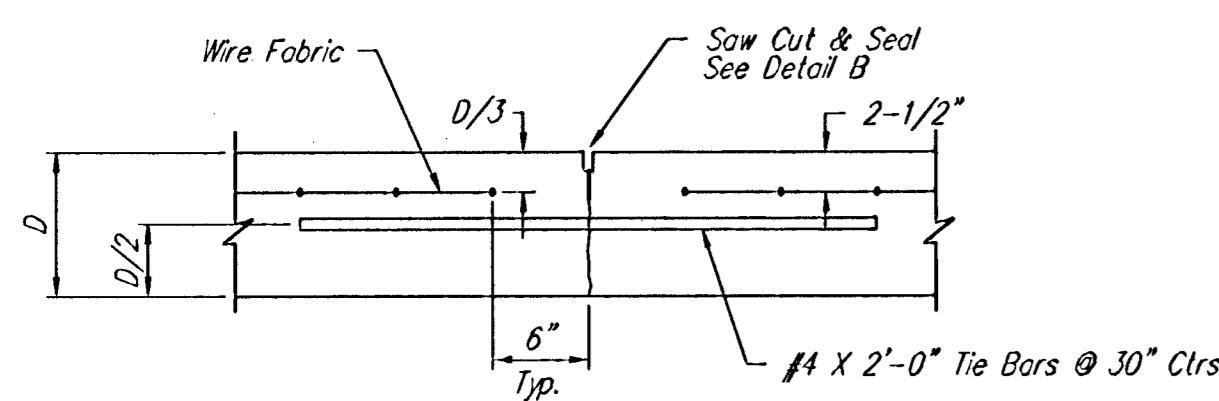
KEYWAY DETAIL



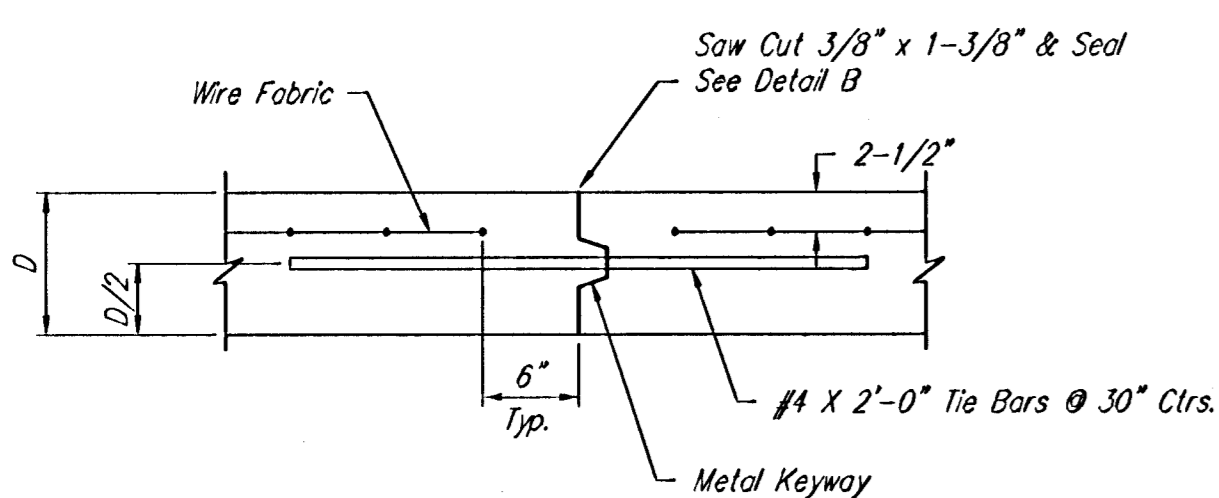
WHEELCHAIR RAMP DETAIL



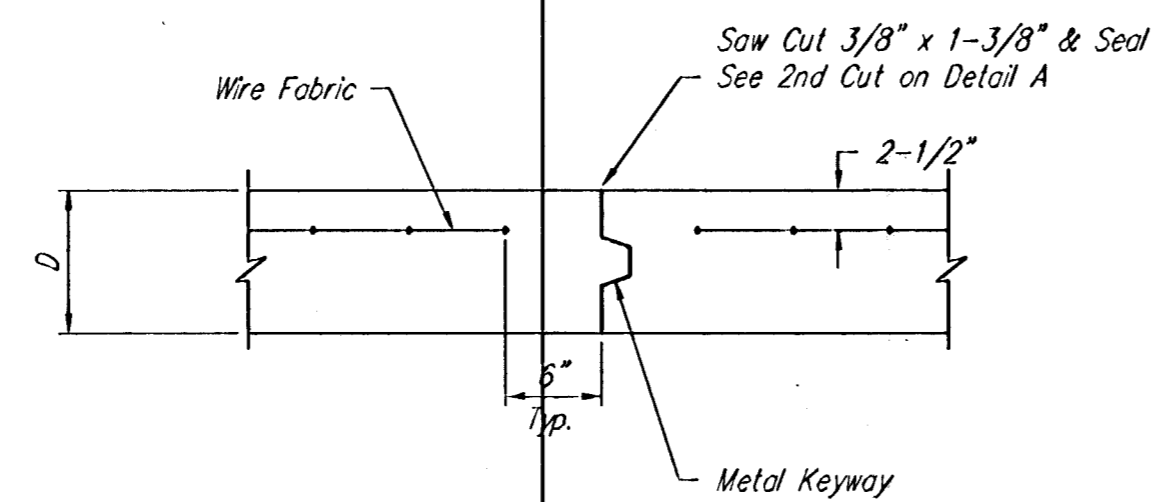
CONTRACTION JOINT DETAIL (C.J.)



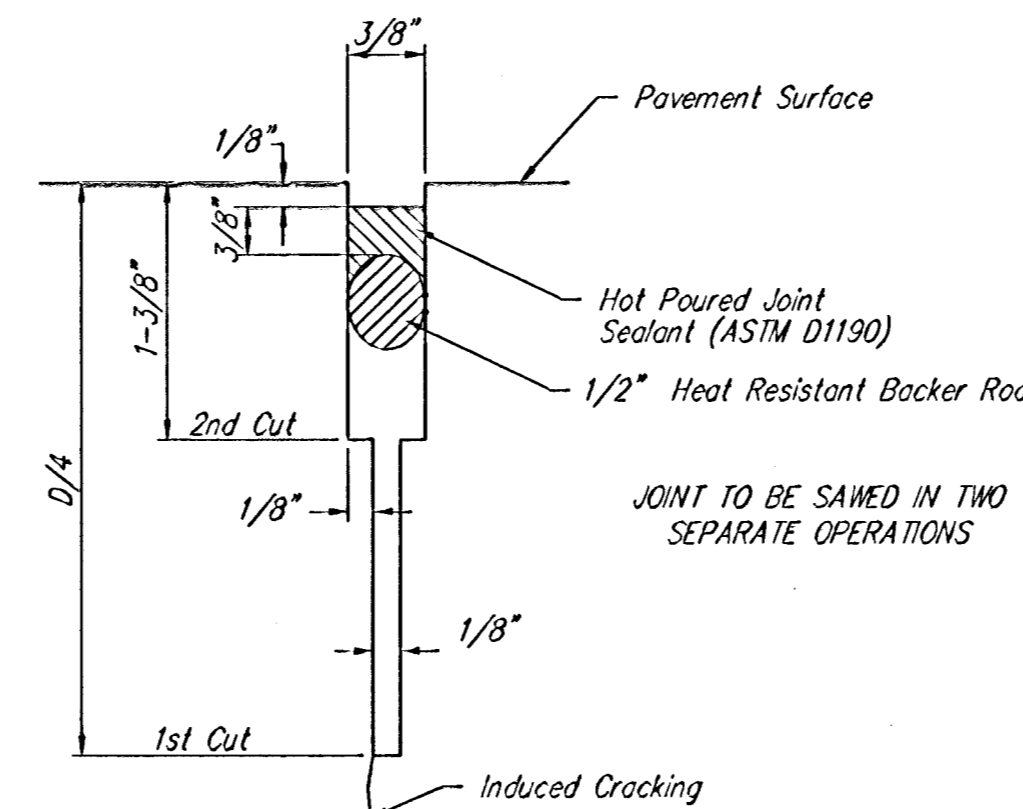
LONGITUDINAL JOINT DETAIL (L.J.)



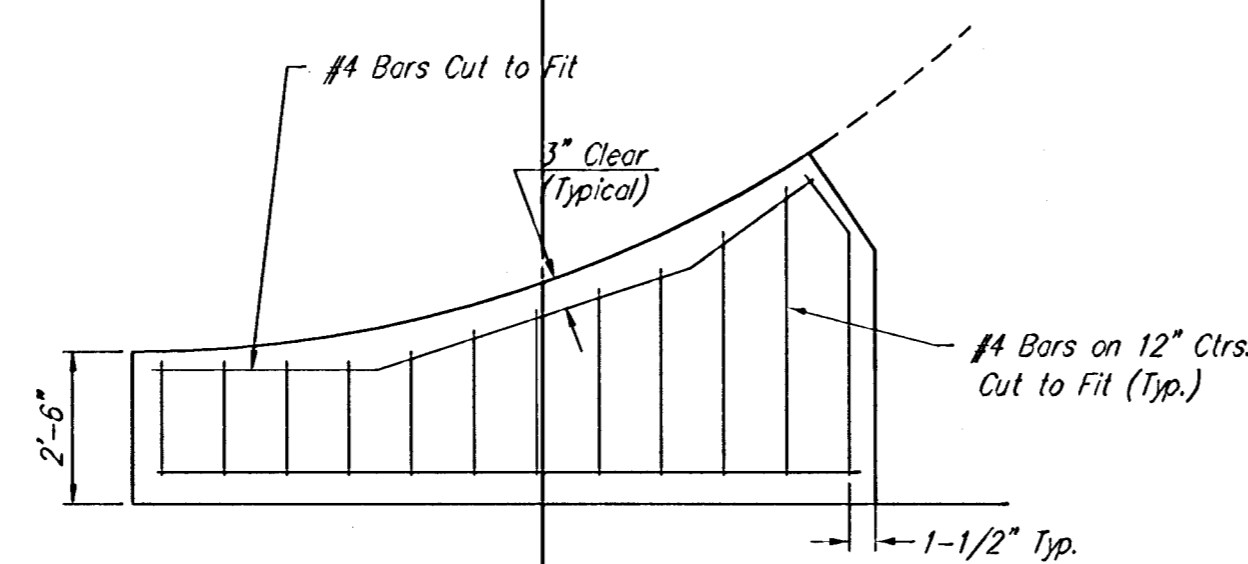
OPTIONAL LONGITUDINAL JOINT DETAIL (L.J.) (CONSTRUCTION JOINT)



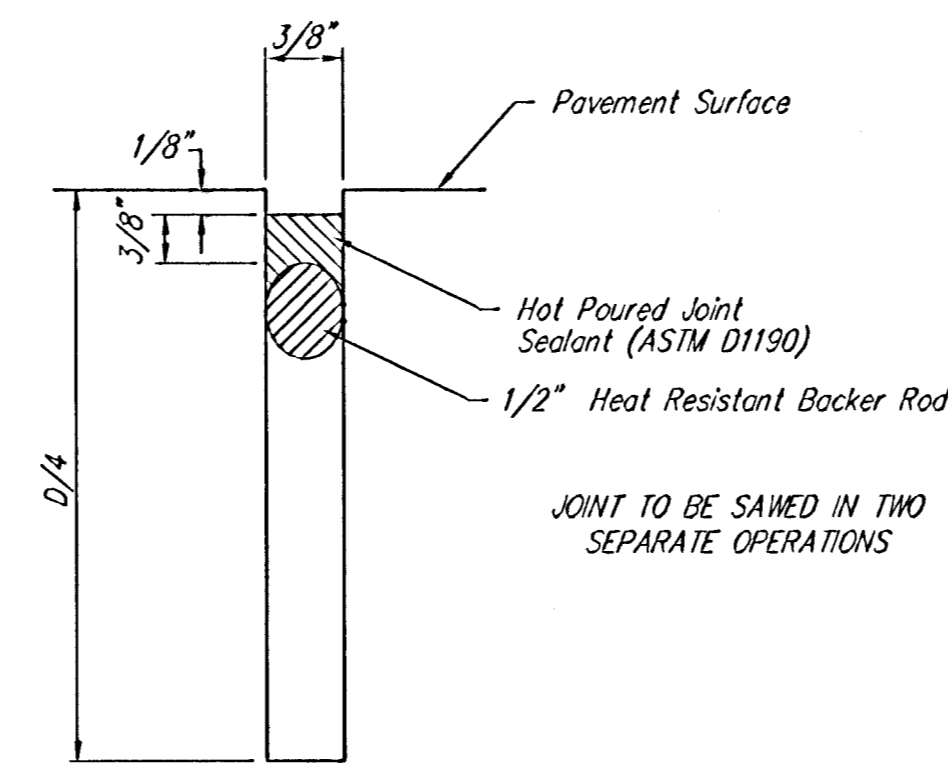
OPTIONAL CONTRACTION JOINT (CONSTRUCTION JOINT)



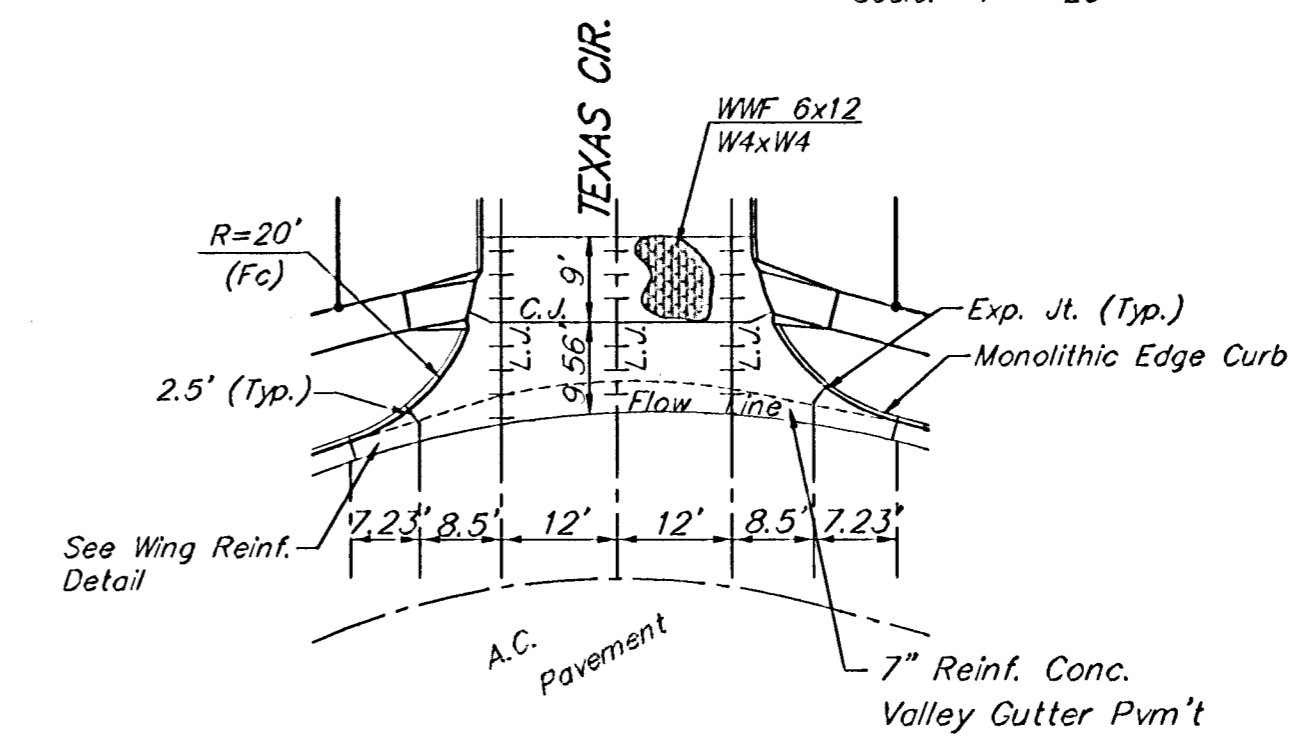
SAW JOINT DETAIL "A"



WING REINFORCING DETAIL



SAW JOINT DETAIL "B"



NOTE: 6" X 12" W4XW4 Wire Fabric Reinforcing Shall Be Placed So That The Wires With The 6" Spacing Will Run Parallel With The Longitudinal Joints.

B Baughman		VALLEY GUTTER DETAILS	
Baughman Company, P.A. 315 Ellis St. Wktn, MS 67111 P 3162827171 F 3162821149 ENGINEERING SURVEYING PLANNING LANDSCAPE ARCHITECTURE			
PROJECT NUMBER 472-84060	DESIGN STAFF	DRAWN STAFF	
REVISIONS	APPROVED	DATE	06/06
	SCALE	NONE	
	SHEET	5 OF 37	
E:\eng\Shadow Woods Addition\Phase 5\Vgdetail.dwg			06-01-E467