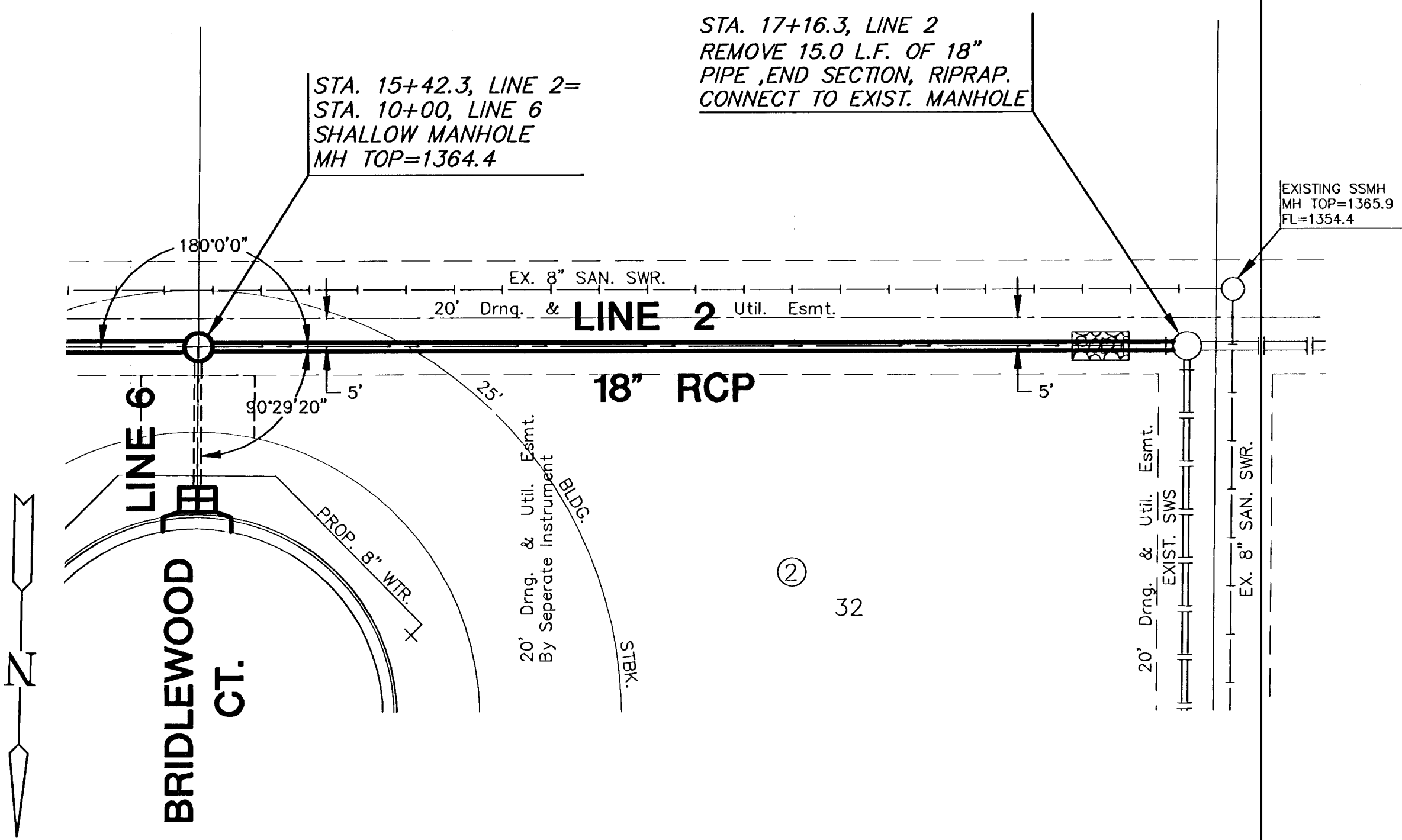
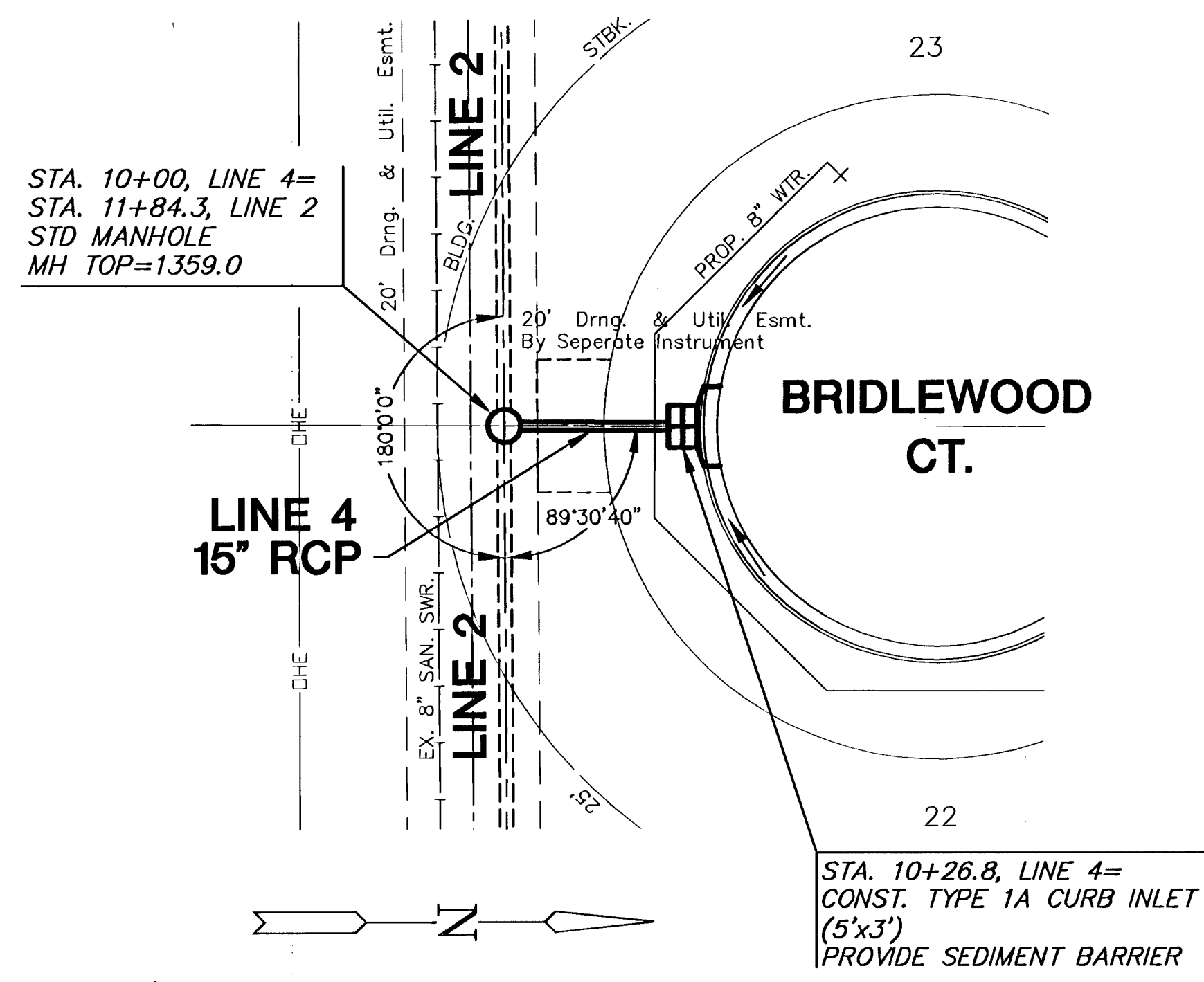


**REED'S COVE ADDITION
PHASE 3 STORM SEWER
LINE 1 (CONT.), LINES 4 & 6**

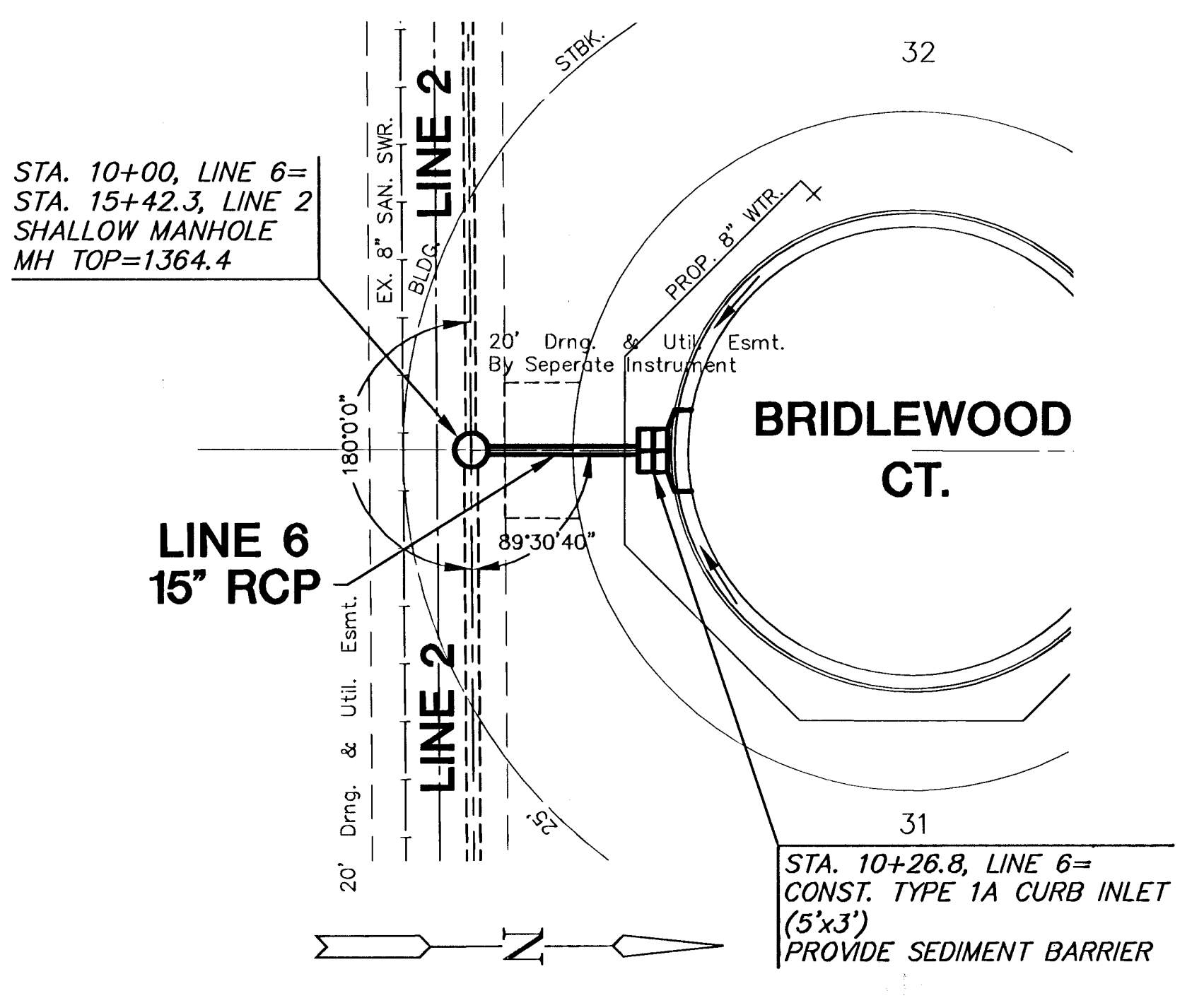
REED'S COVE ADDITION



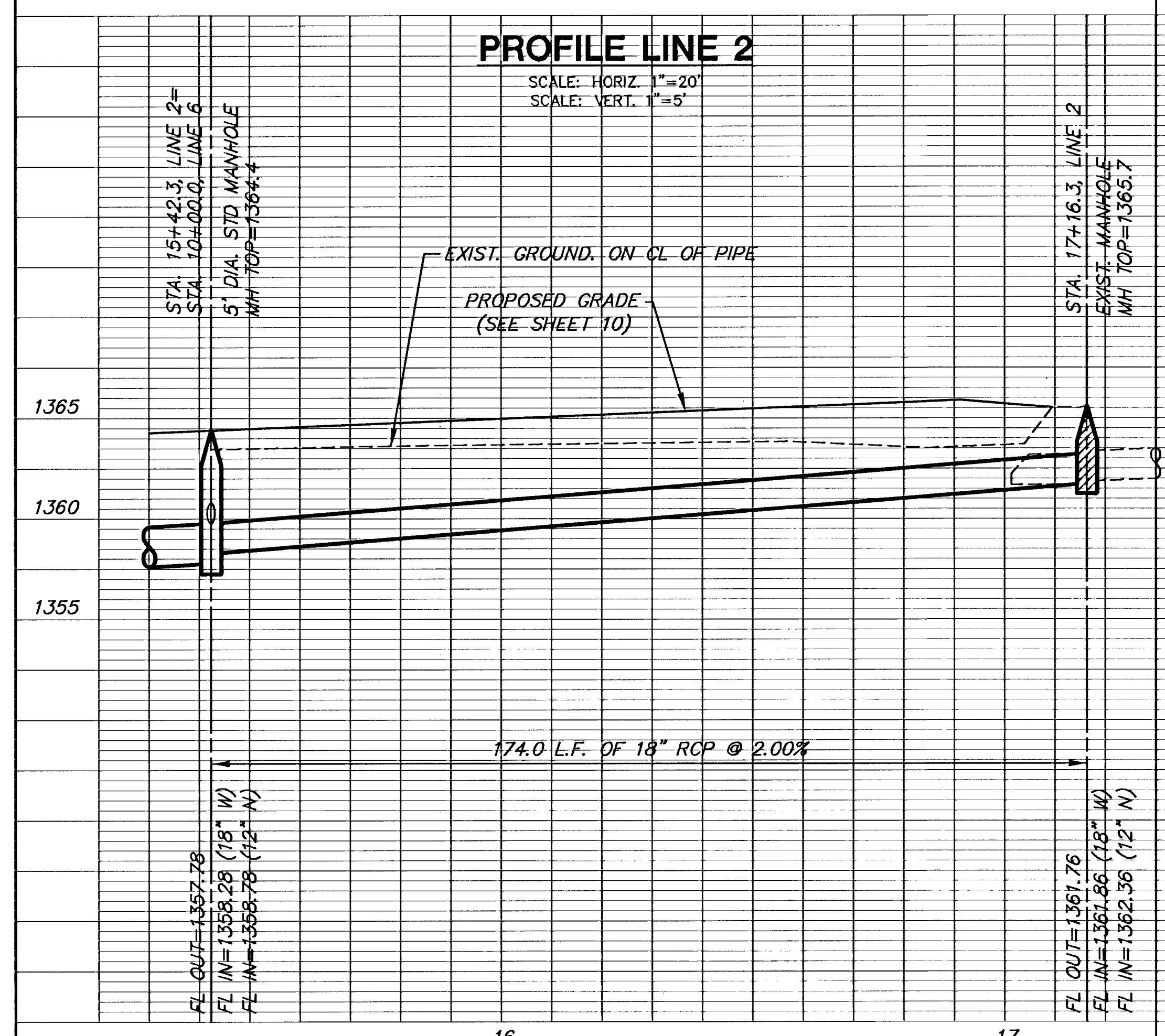
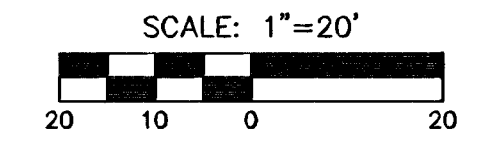
PLAN LINE 2



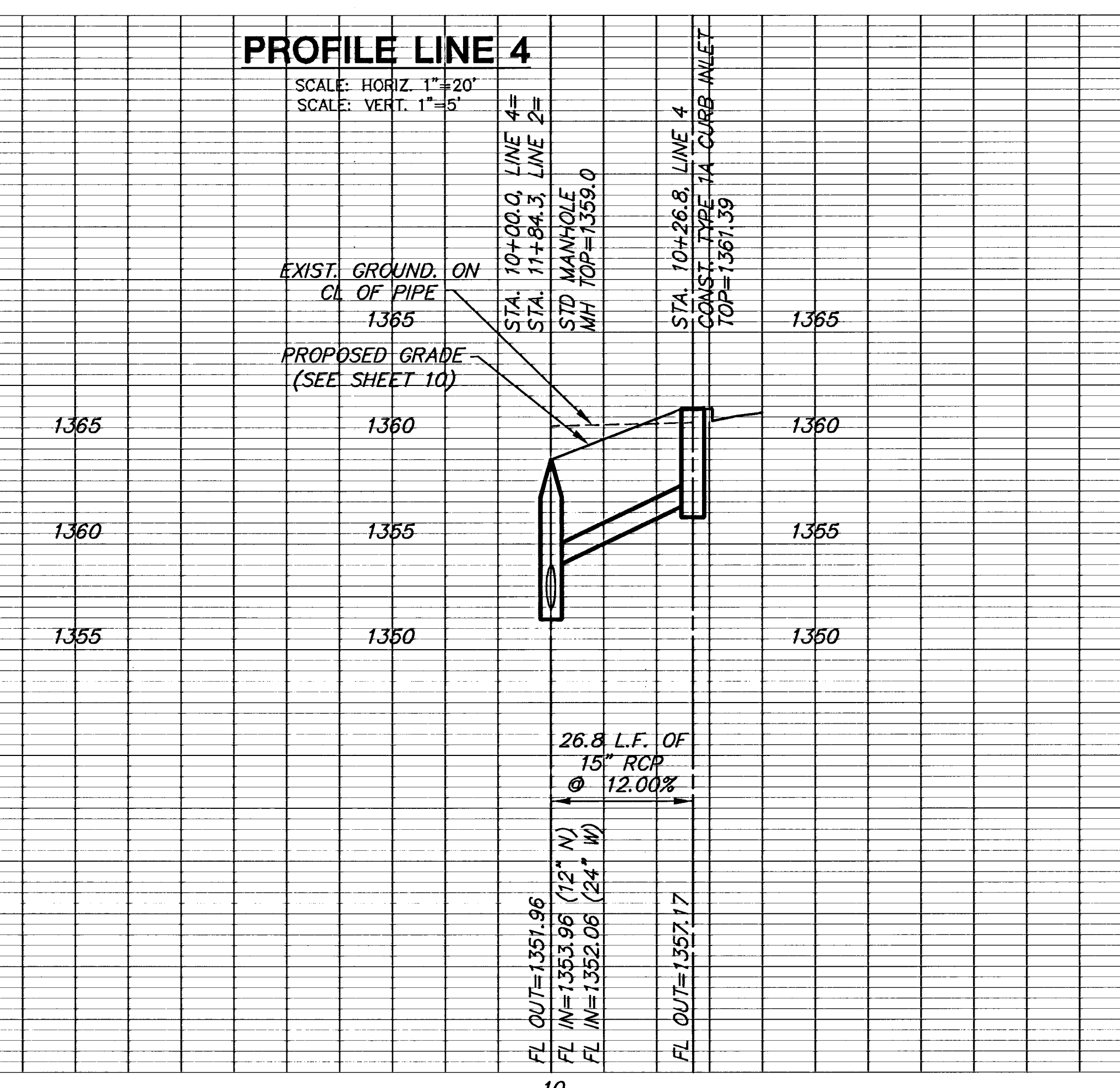
PLAN LINE 4



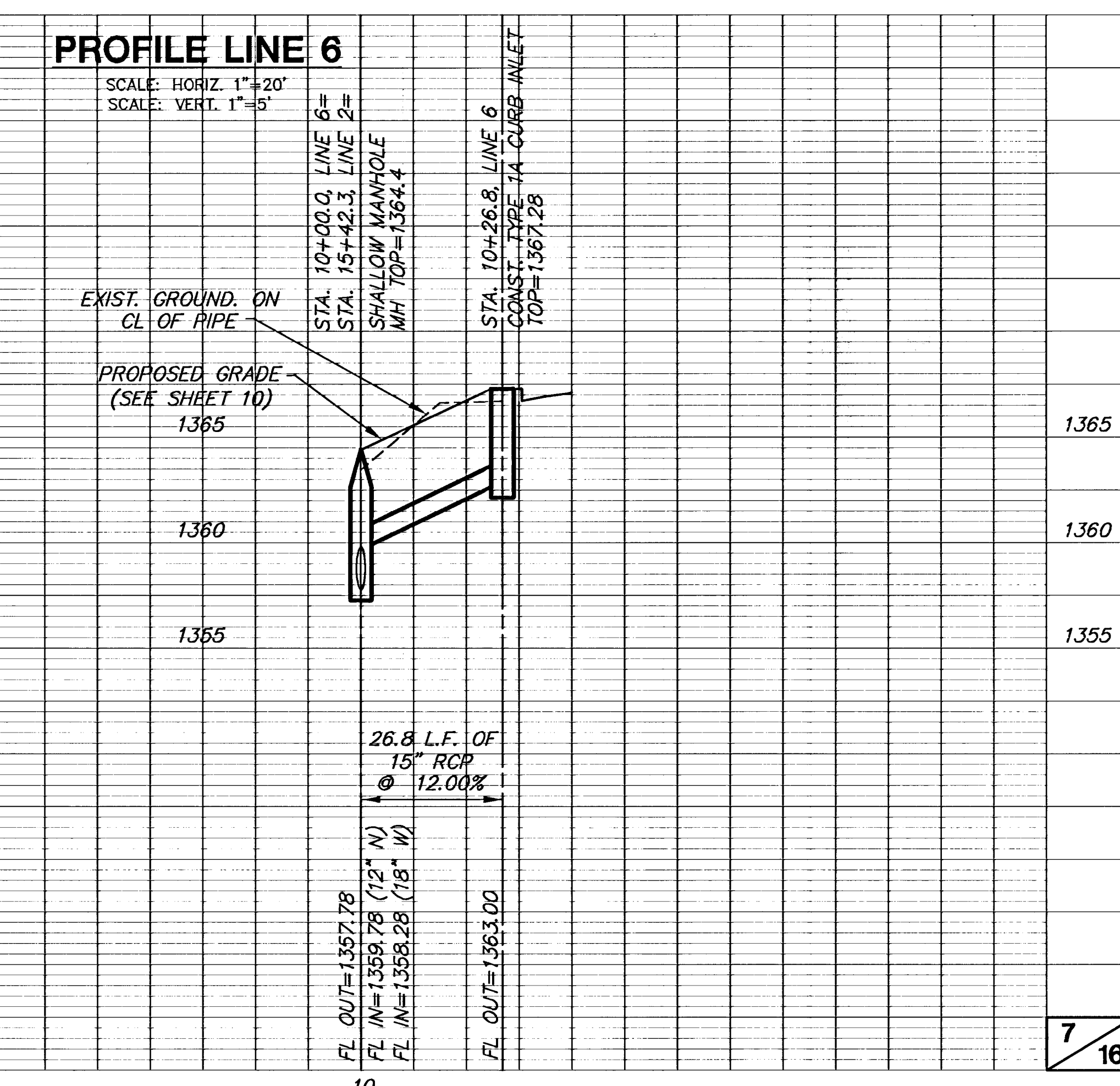
PLAN LINE 6



PROFILE LINE 2



PROFILE LINE 4



PROFILE LINE 6