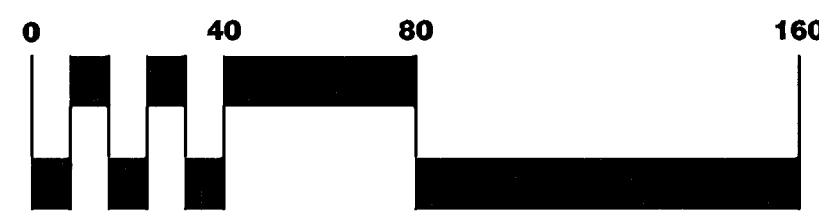
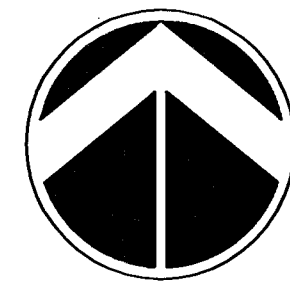
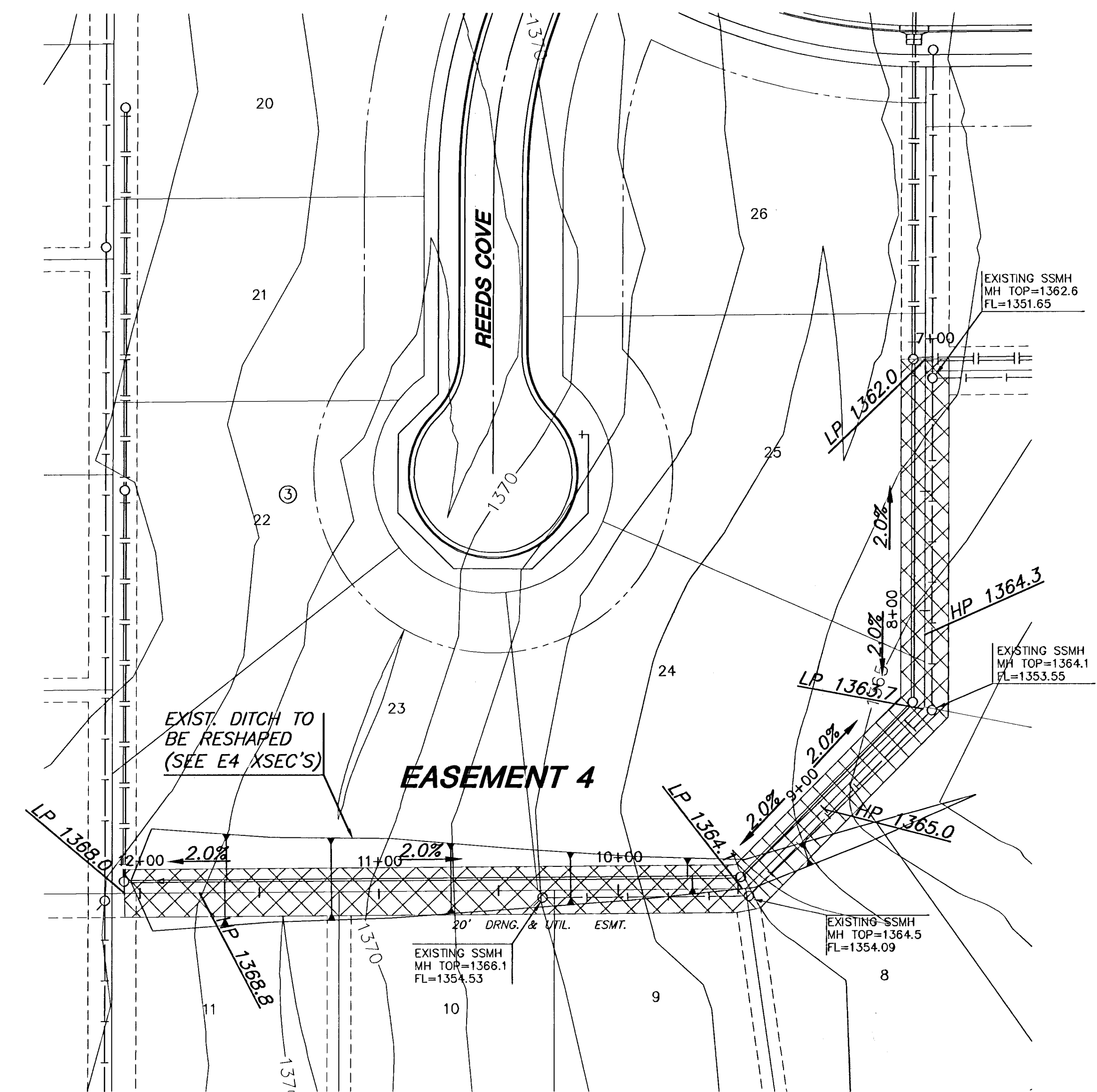
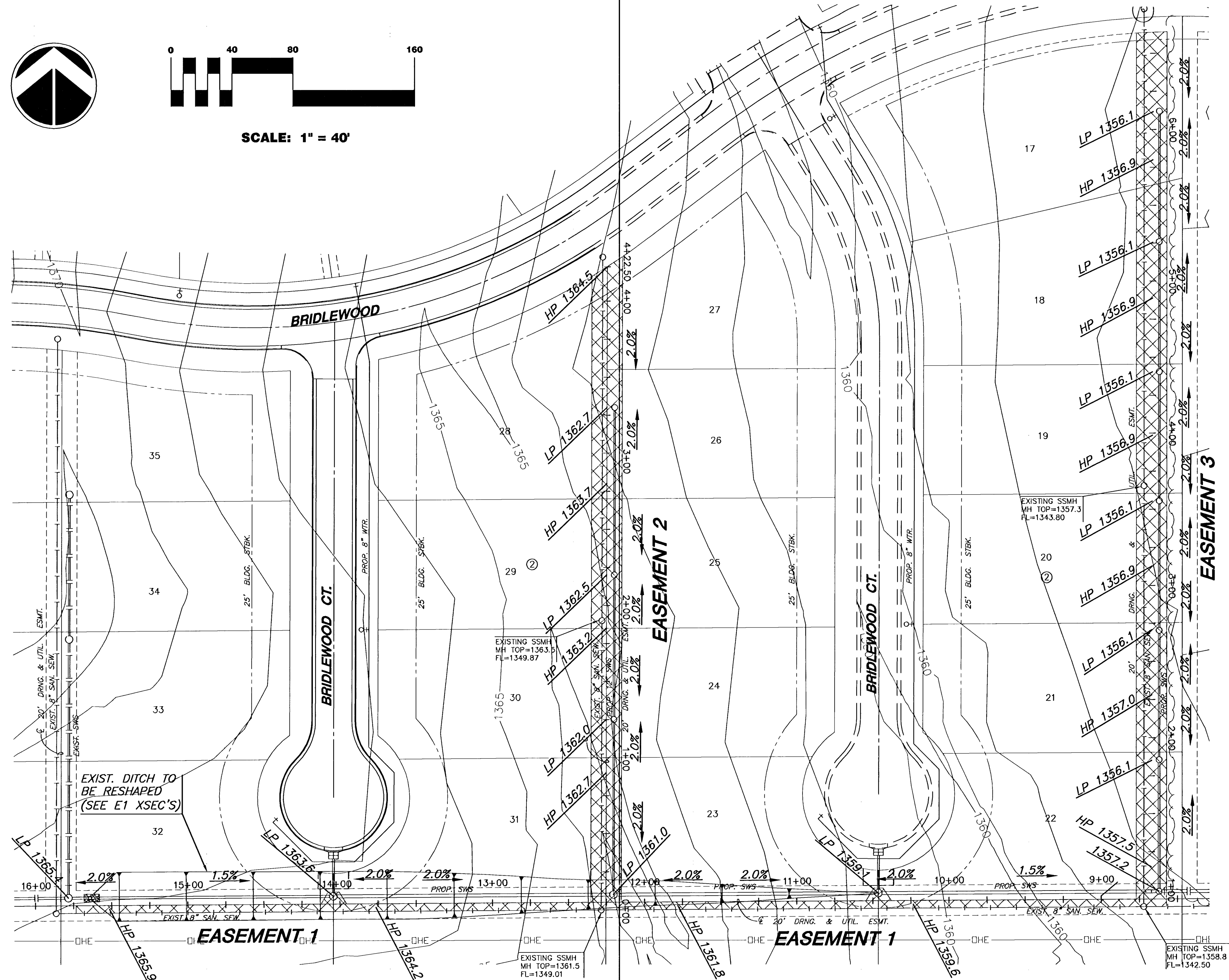


REEDS COVE ADDITION

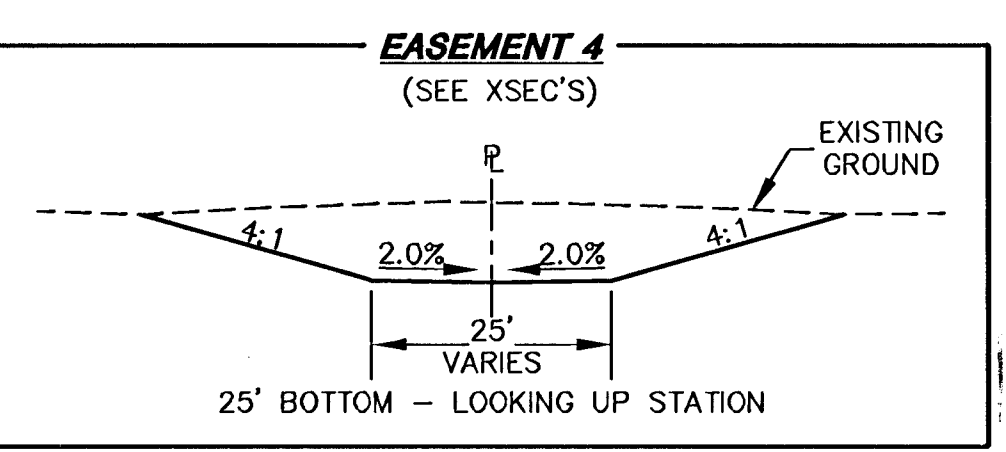
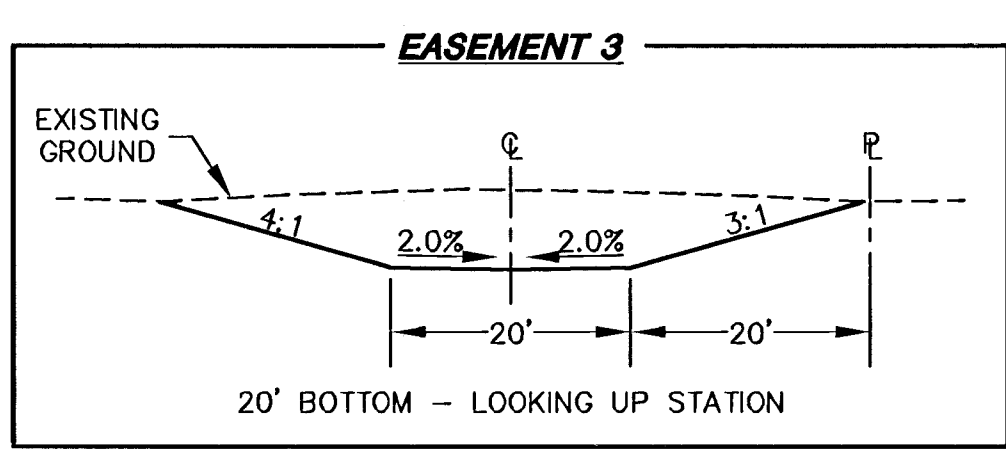
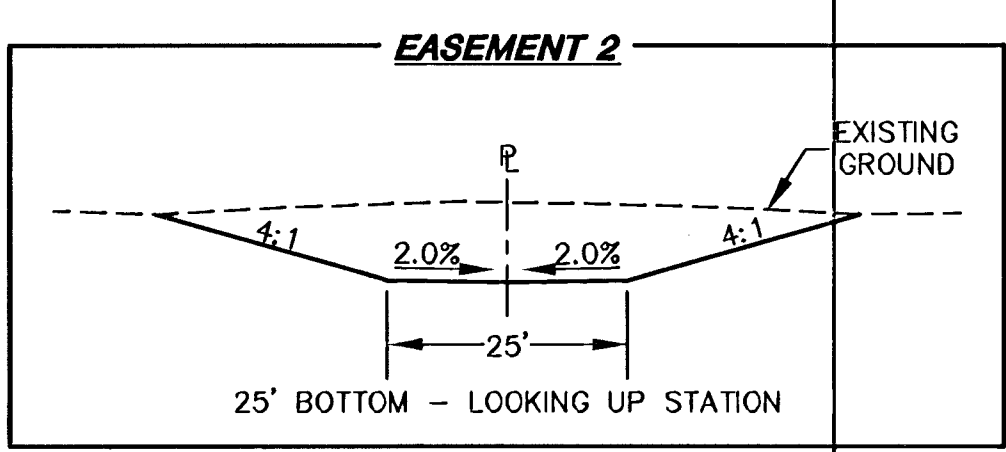
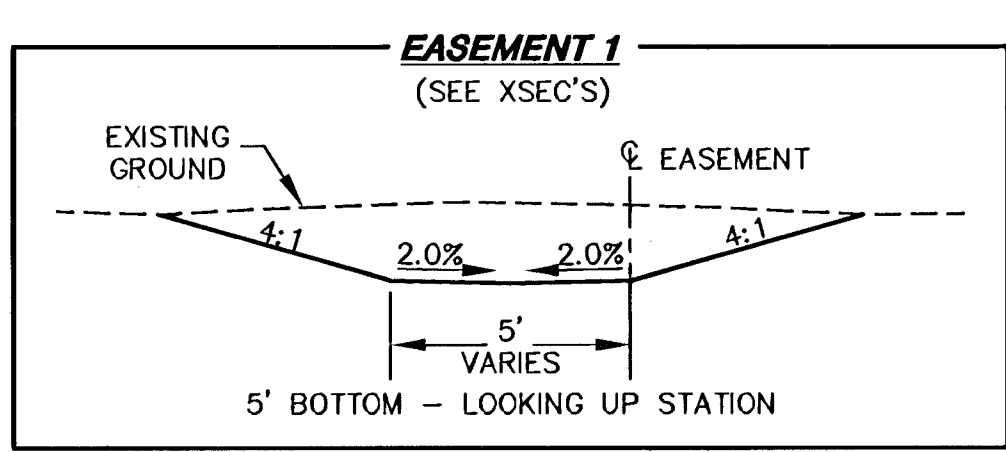


SCALE: 1" = 40'



NOTE
 Easement Grading will be bid on a L.S. basis for grading the proposed easements to the elevations shown on this drawing. Approximate quantities of earthwork for easement grading with this project are shown below. The Contractor should verify the quantities when preparing the proposal. Cross Sections are provided for easements 1 & 4.

Cut	1120 C.Y. (Approximate)
Fill	960 C.Y. (Approximate)



REED'S COVE ADDITION
 PROJECT NAME

EASEMENT GRADING
 SHEET TITLE

DFL DESIGN BY:	DFL DRAWN BY:	GJA CHECKED BY:
JUNE 2005 DATE	02121 JOB NO.	10 / 16 SHEET/OF

H:\CV\AL\02121\DWG\SW\PH3\02121_EG.DWG