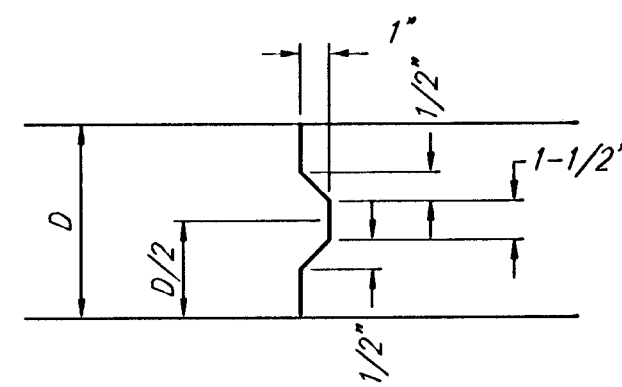
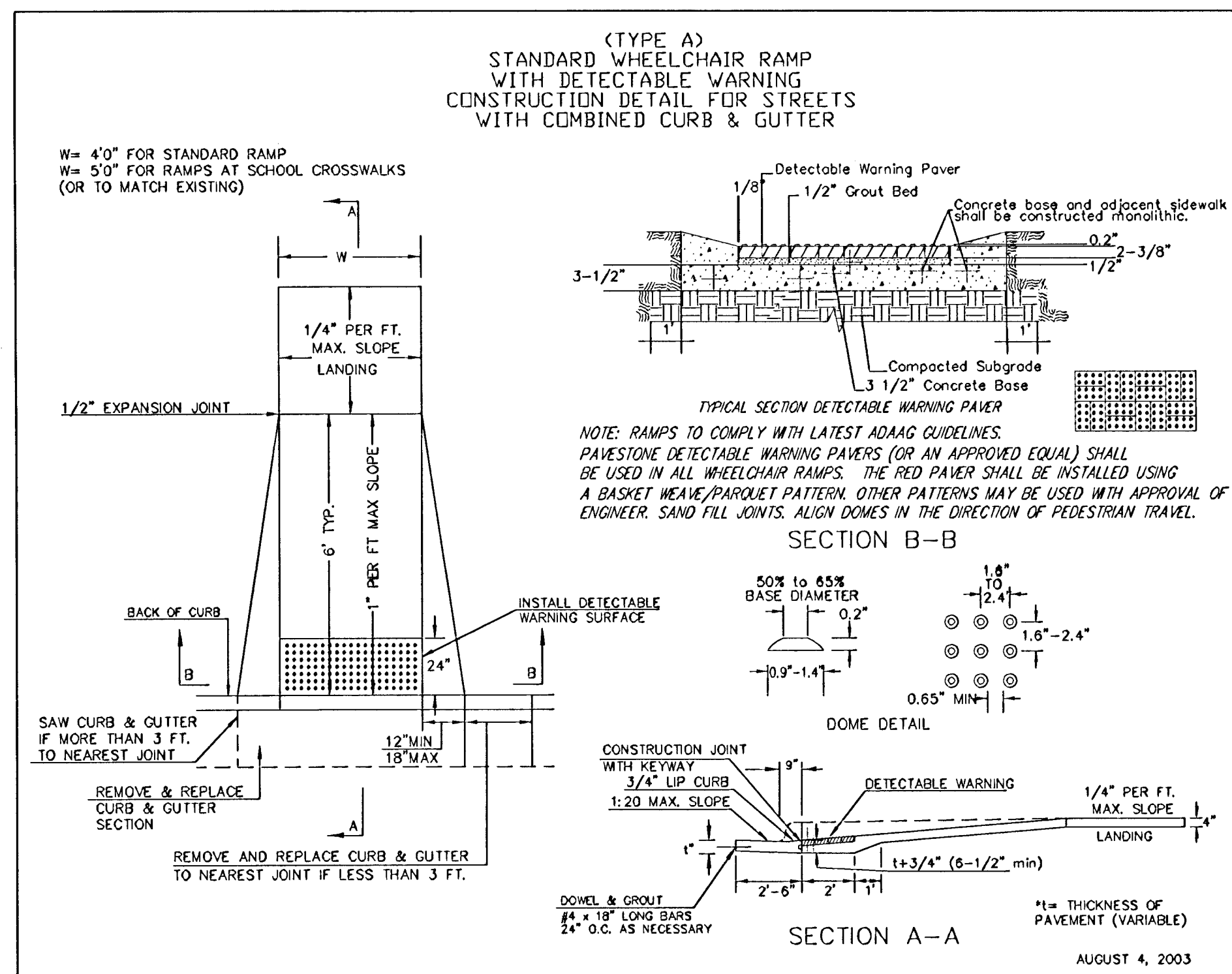


EXPANSION JOINT

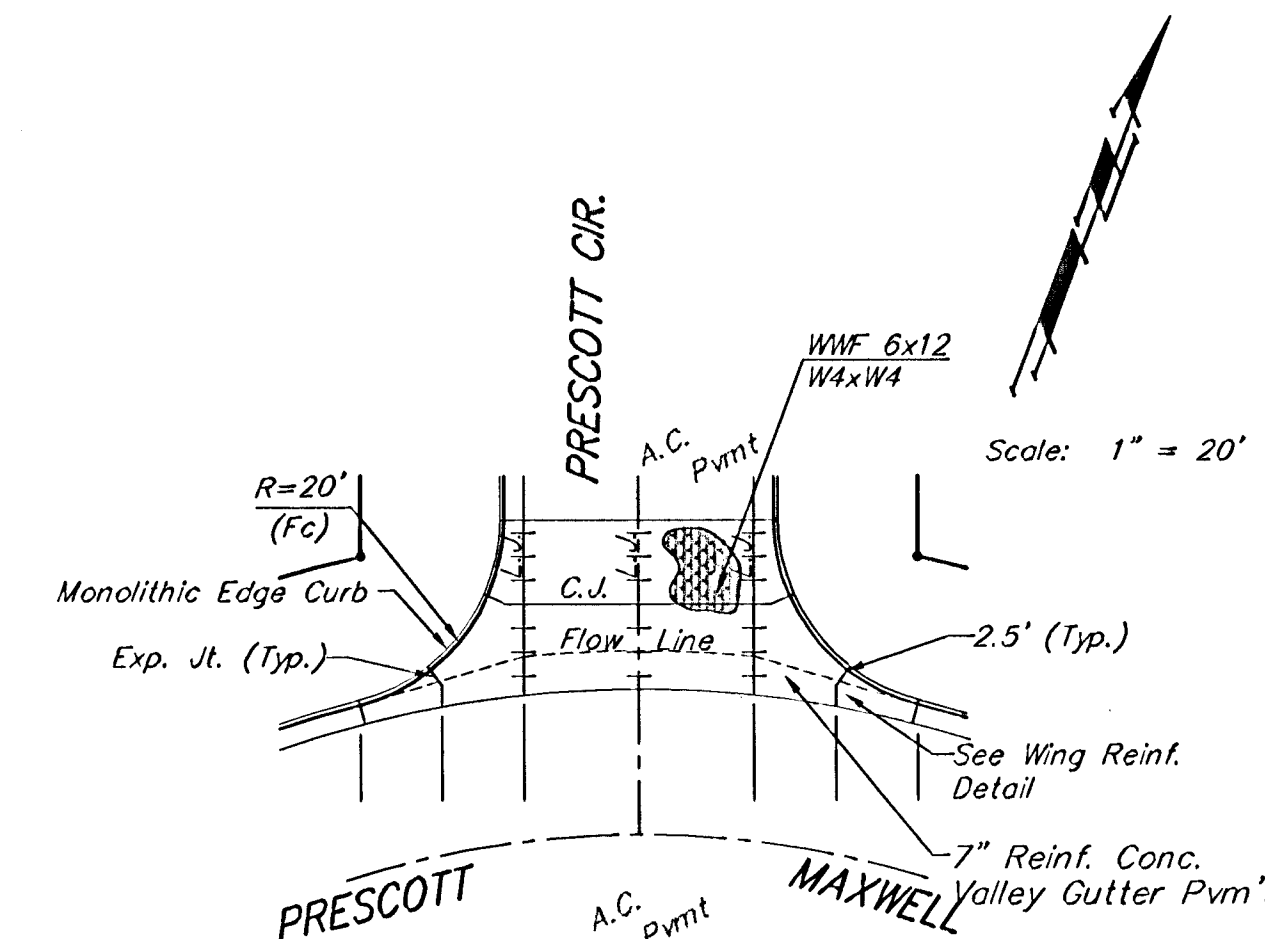
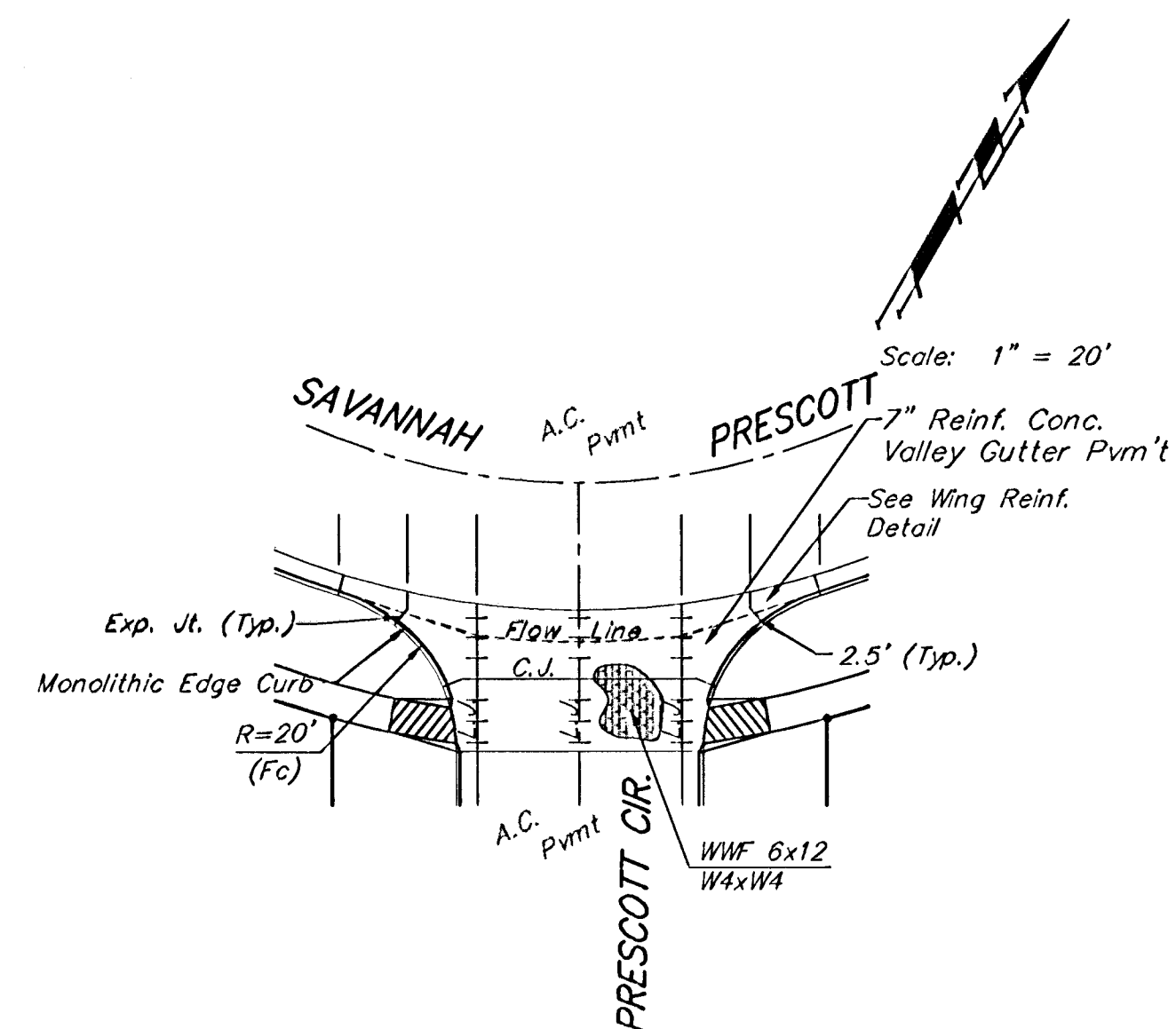
NOTE: Extra Thickness to be Subsidiary to Price of Square Yards Pavement



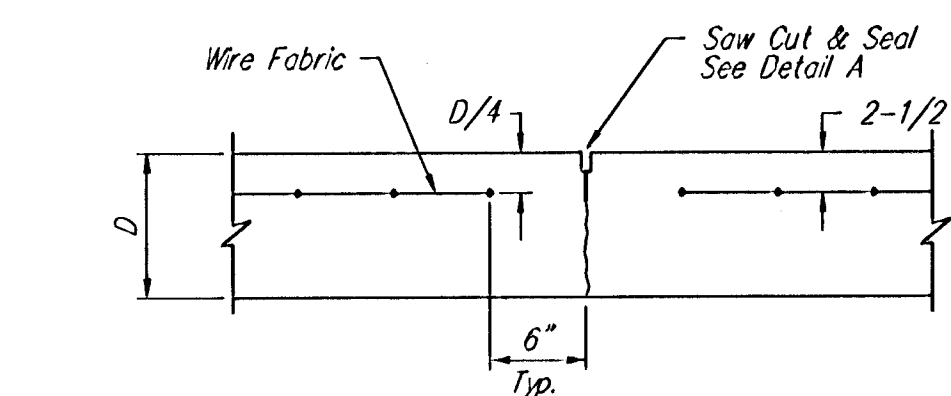
KEYWAY DETAIL



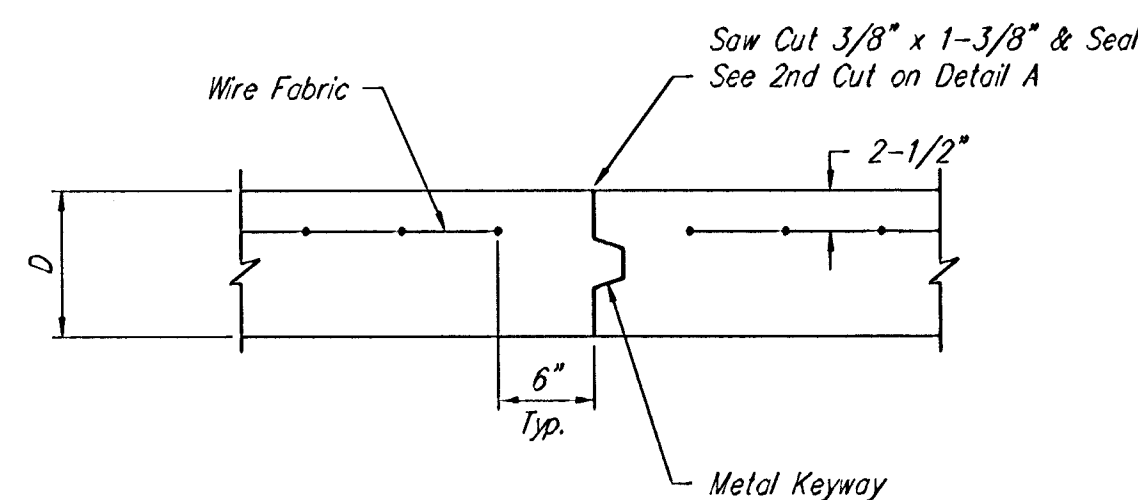
WHEELCHAIR RAMP DETAIL



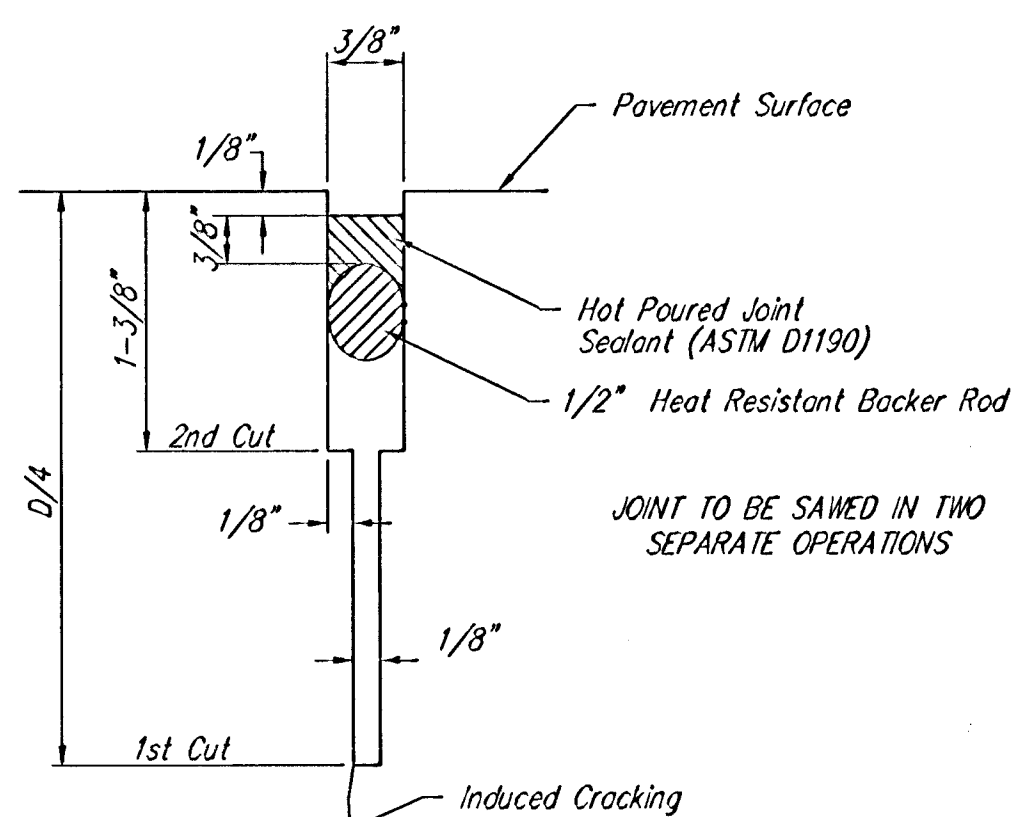
NOTE: 6" X 12" W4XW4 Wire Fabric Reinforcing Shall Be Placed So That The Wires With The 6" Spacing Will Run Parallel With The Longitudinal Joints.



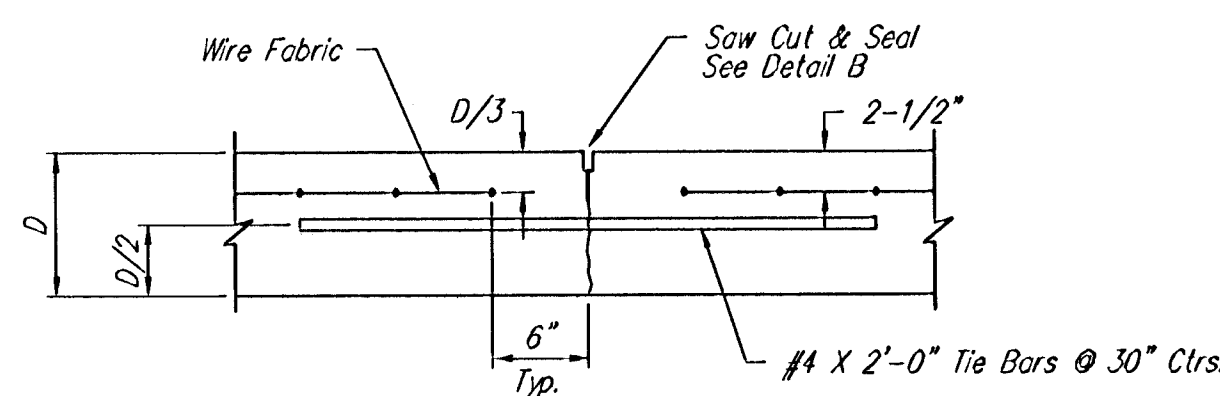
CONTRACTION JOINT DETAIL (C.J.)



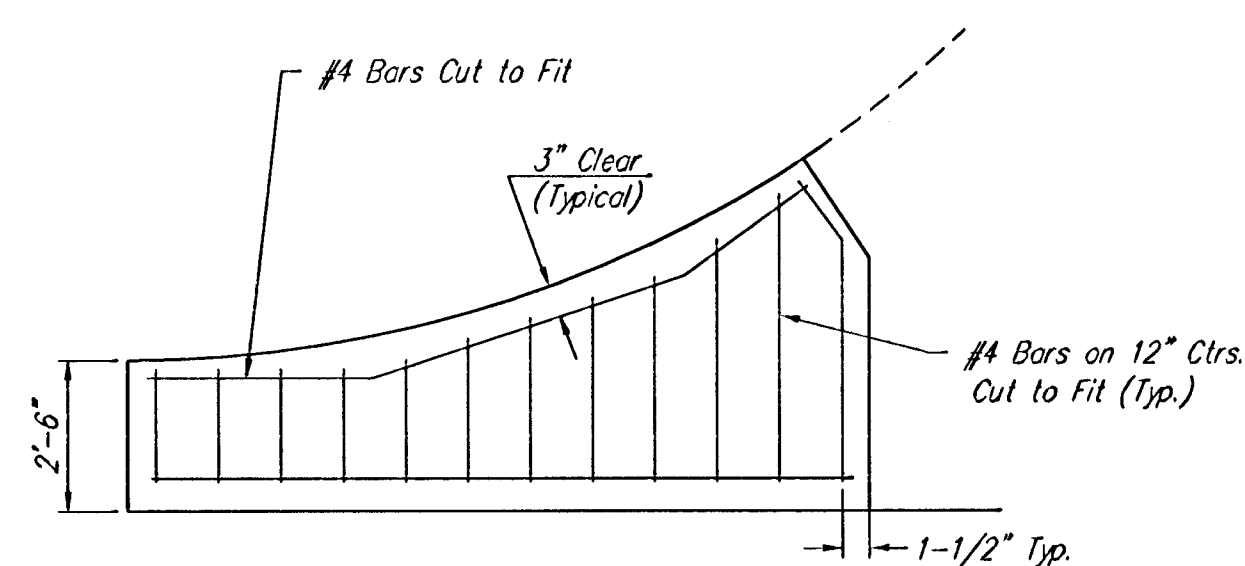
OPTIONAL CONTRACTION JOINT (CONSTRUCTION JOINT)



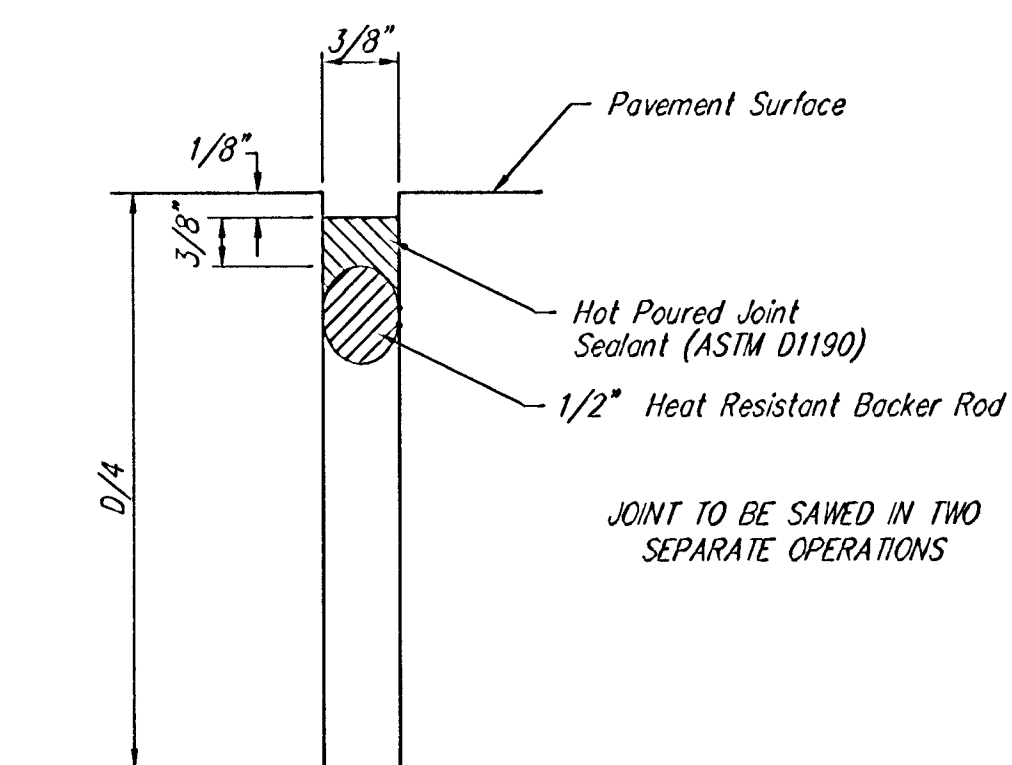
SAW JOINT DETAIL "A"



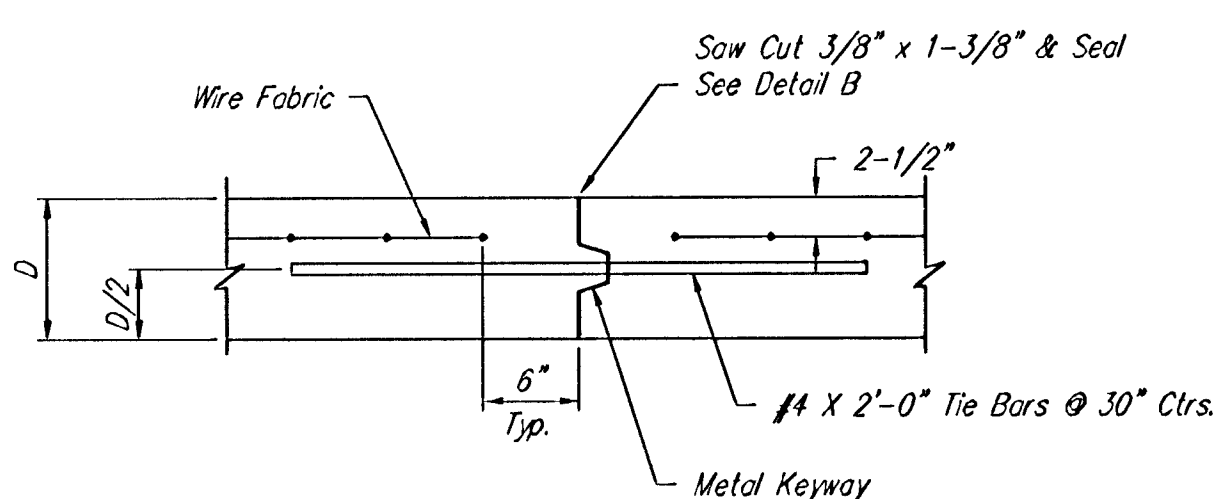
LONGITUDINAL JOINT DETAIL (L.J.)



WING REINFORCING DETAIL



SAW JOINT DETAIL "B"



OPTIONAL LONGITUDINAL JOINT DETAIL (L.J.) (CONSTRUCTION JOINT)

B Baughman		VALLEY GUTTER DETAILS	
Baughman Company, P.A. 315 Elm St. Woburn, MA 01897 P: 316-343-7111 F: 316-343-0149			
ENGINEERING SURVEYING PLANNING LANDSCAPE ARCHITECTURE			
PROJECT NUMBER 472-84098	DESIGN STAFF	DRAWN STAFF	
REVISIONS:	APPROVED	DATE	10/05
	SCALE	NONE	
	SHEET	5 OF 29	
/Vgdetail		05-09-E350	