



© 2023 GARVER, LLC  
 THIS DOCUMENT, ALONG WITH THE IDEAS AND DESIGNS CONVEYED HEREIN, SHALL BE CONSIDERED INSTRUMENTS OF PROFESSIONAL SERVICE AND ARE PROPERTY OF GARVER, LLC. ANY USE, REPRODUCTION, OR DISTRIBUTION OF THIS DOCUMENT, ALONG WITH THE IDEAS AND DESIGN CONTAINED HEREIN, IS PROHIBITED UNLESS AUTHORIZED IN WRITING BY GARVER, LLC OR EXPLICITLY ALLOWED IN THE GOVERNING PROFESSIONAL SERVICES AGREEMENT FOR THIS WORK.

1995 Midfield Road  
 Wichita, KS 67209  
 (316) 264-8008

REV.	DATE	DESCRIPTION	BY

CITY OF WICHITA  
 WICHITA, KANSAS

CITY OF WICHITA  
 WICHITA, KANSAS

AREA 151  
 STORM WATER DRAIN - PHASE 1

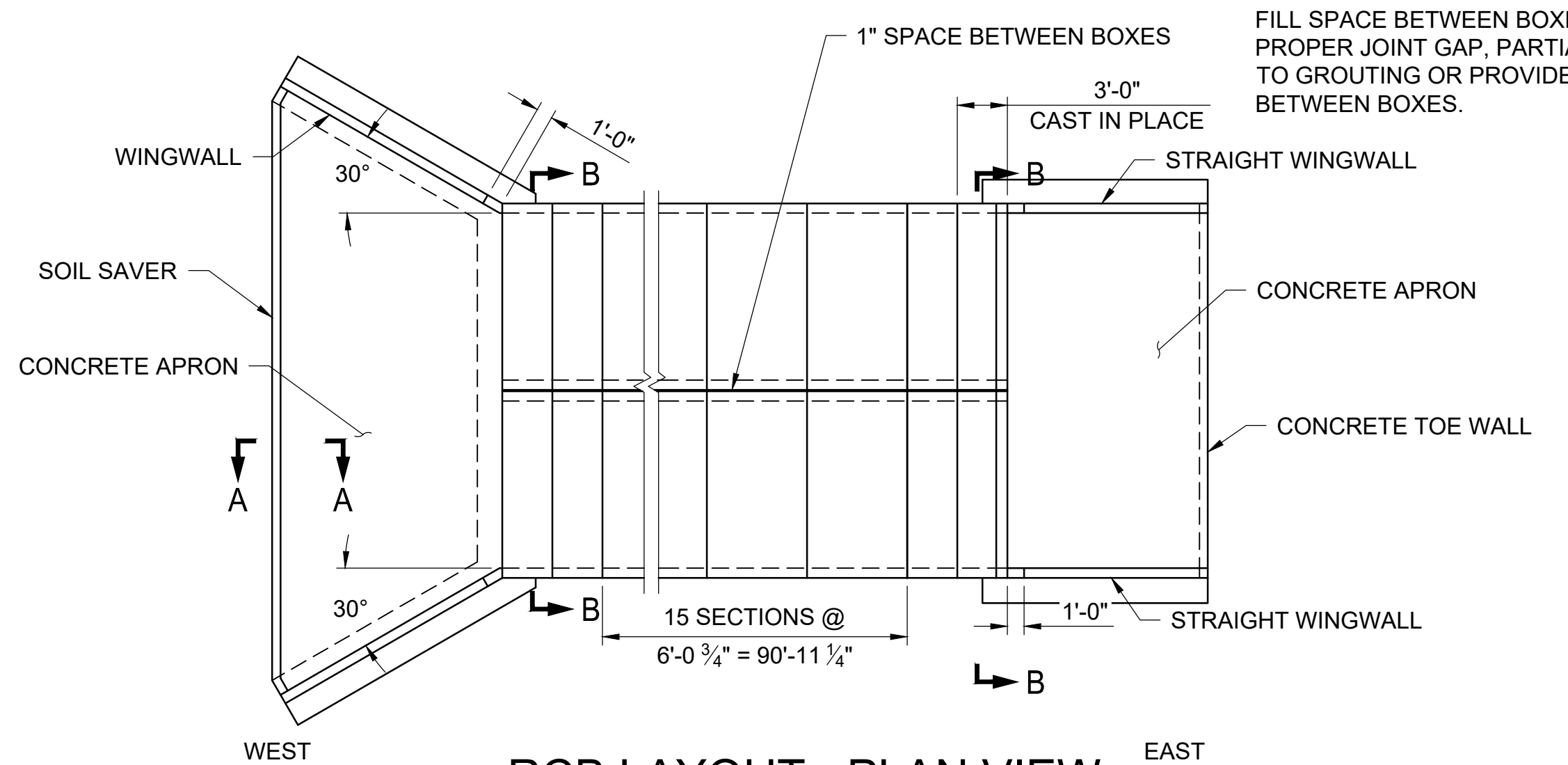
**RCBC  
 DETAILS 1**

JOB NO.: 22T41002  
 DATE: DEC 2023  
 DESIGNED BY: EJG  
 DRAWN BY: DRS

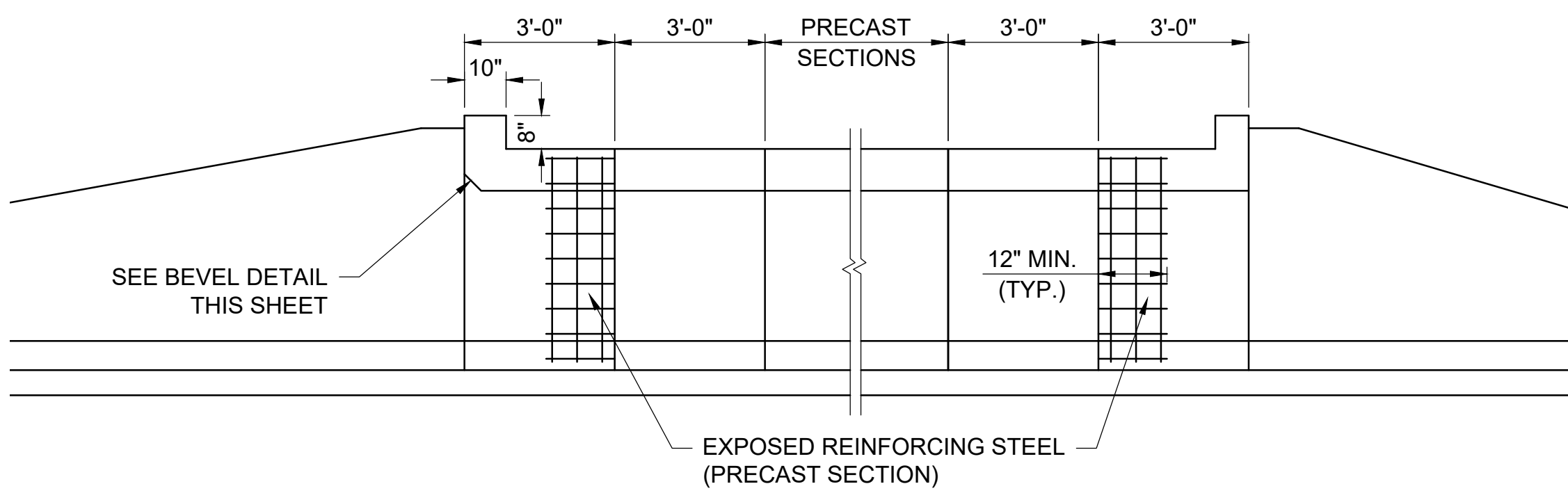
BAR IS ONE INCH ON ORIGINAL DRAWING  
 IF NOT ONE INCH ON THIS SHEET, ADJUST SCALES ACCORDINGLY.

DRAWING NUMBER

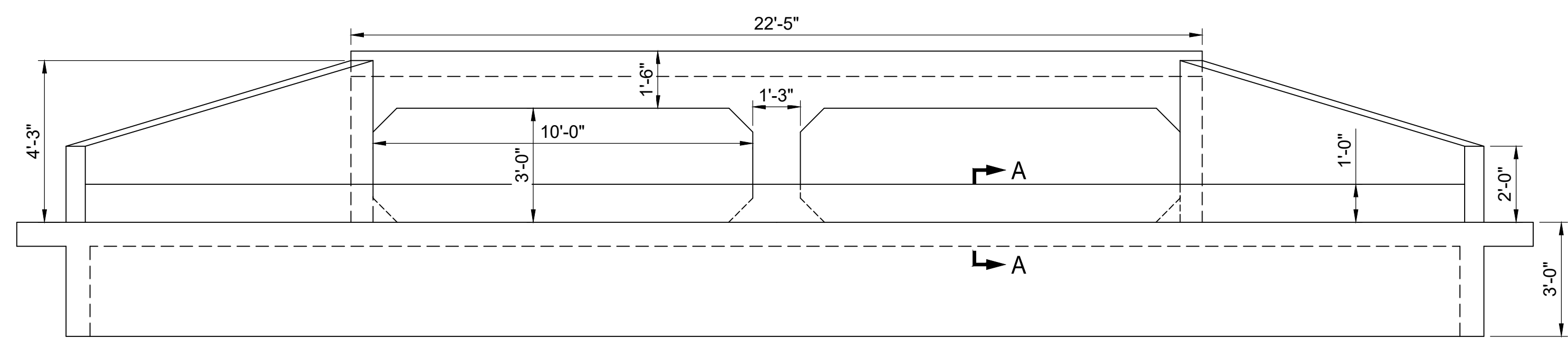
NOTES:  
 FILL SPACE BETWEEN BOXES WITH GROUT. TO MAINTAIN PROPER JOINT GAP, PARTIALLY BACKFILL BOXES PRIOR TO GROUTING OR PROVIDE A MECHANICAL CONNECTION BETWEEN BOXES.



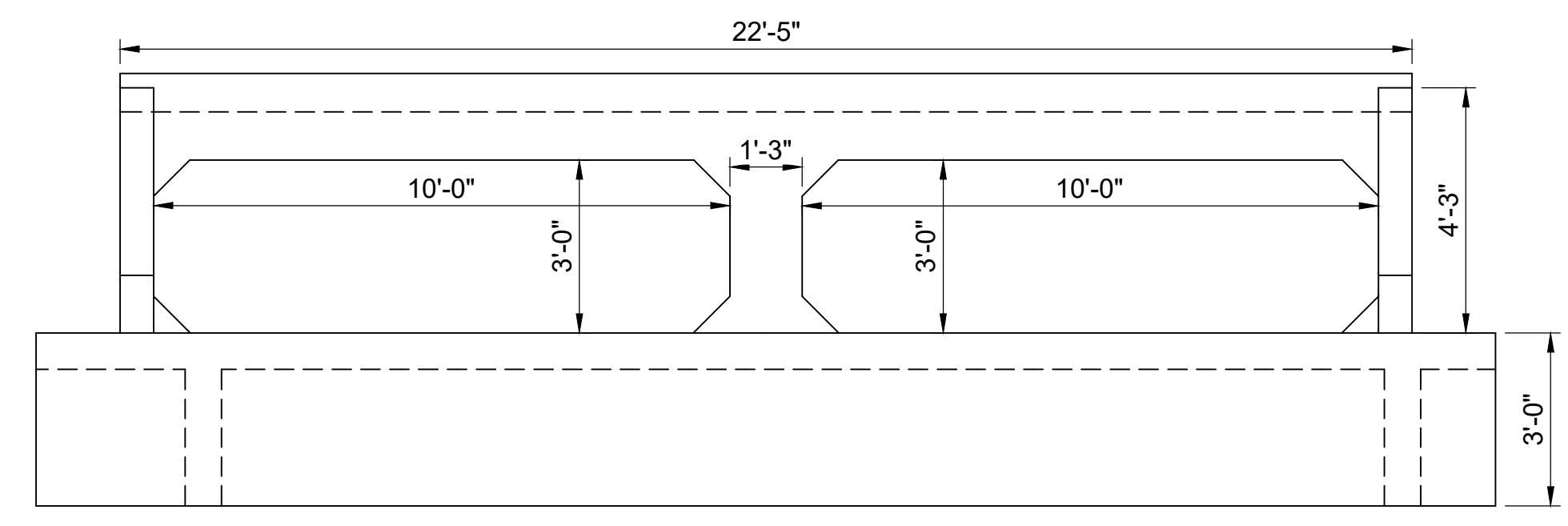
**RCB LAYOUT - PLAN VIEW**



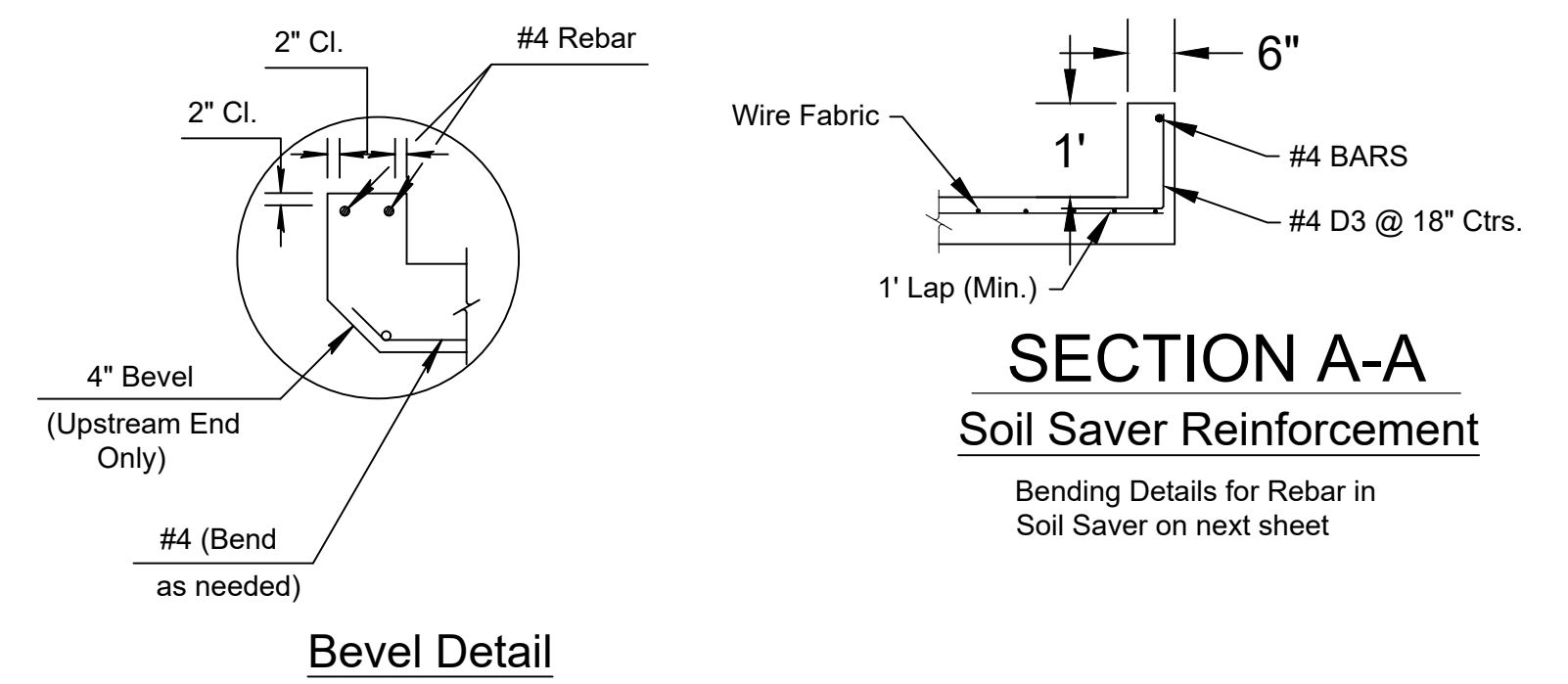
**ELEVATION AT HEADWALLS**



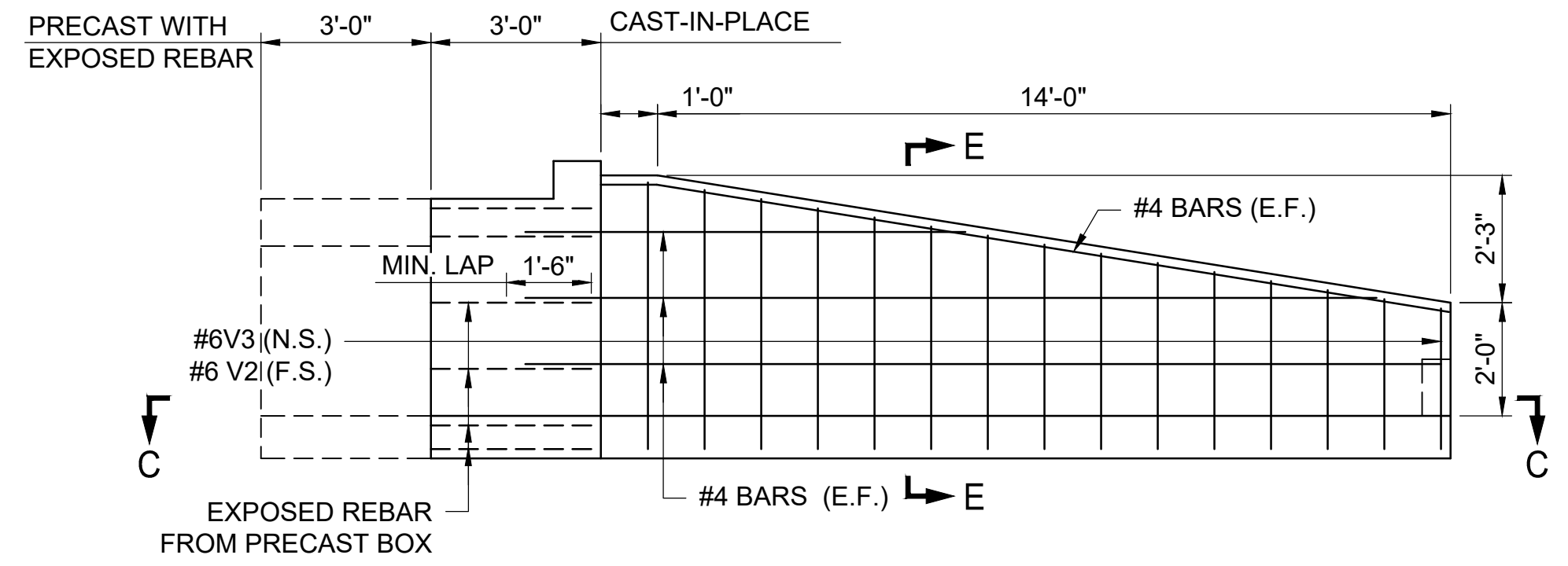
**WEST END RCB - (LOOKING EAST)**



**EAST END RCB - (LOOKING WEST)**

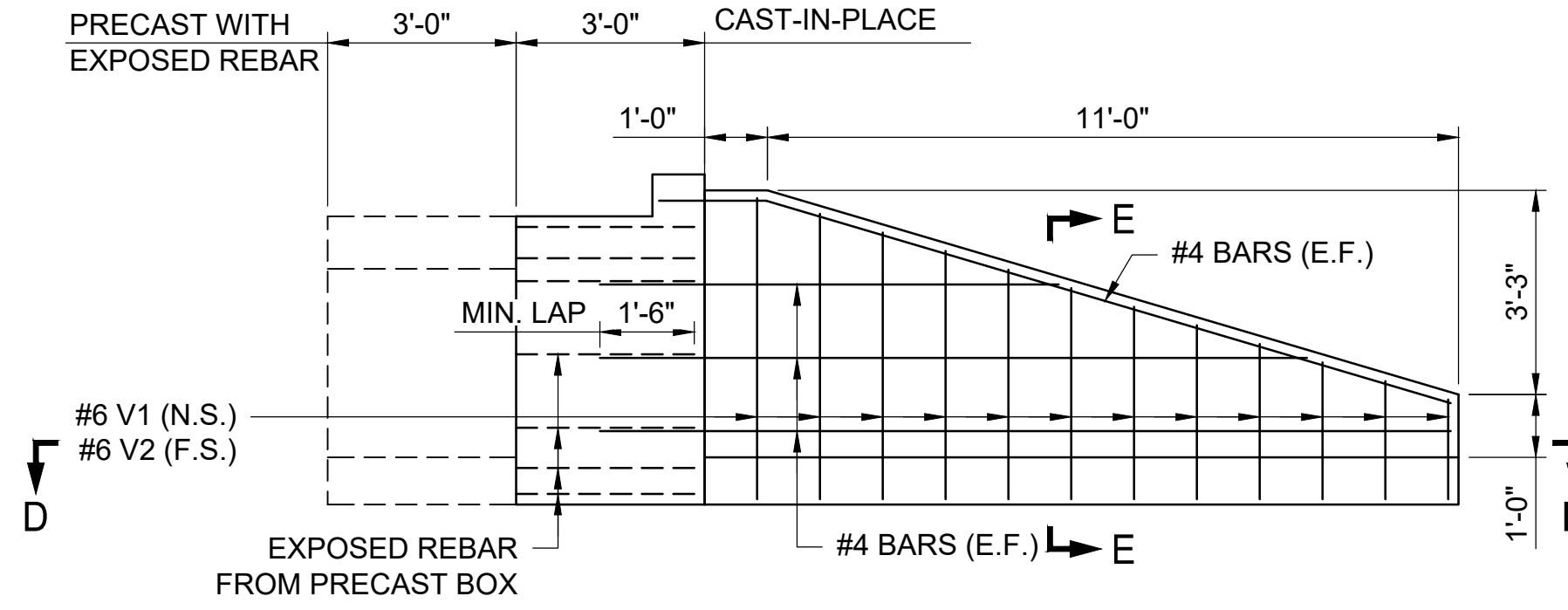


**Bevel Detail**

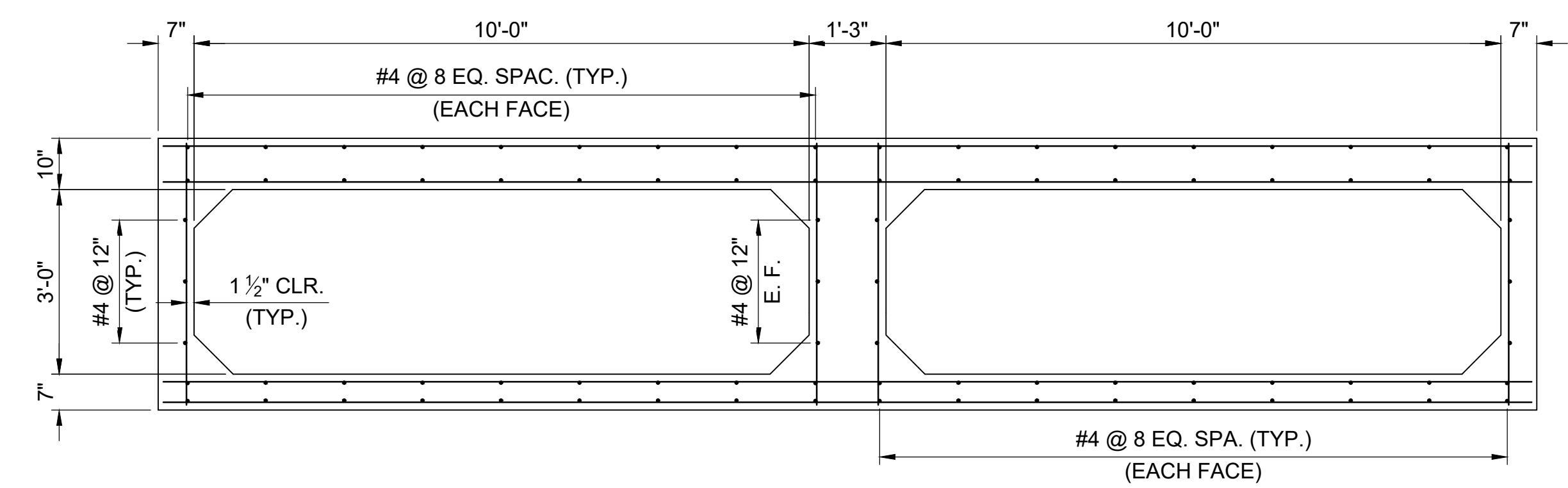


**WEST WINGWALL ELEVATION  
 (BACKFACE SHOWN)**

(E.F.) - EACH FACE  
 (N.S.) - NEAR SIDE  
 (F.S.) - FAR SIDE  
 C.J. - CONSTRUCTION JOINT  
 CLR - CLEAR



**EAST WINGWALL ELEVATION  
 (BACKFACE SHOWN)**



**CAST-IN-PLACE SECTION B-B**

File: L:\2022\22T41002 - Area 151 - AdditionalDrawings\C3D\SWS SHEETS\RCBC WINGWALL DETAILS.dwg Last Save: 10/2/2023 1:55 PM Last saved by: DRStandrich  
 Last plotted by: Standrich, Darryl R. Plot Style: --- Plot Scale: 1:2.5849 Plot Date: 12/1/2023 8:06 AM Plotter used: None