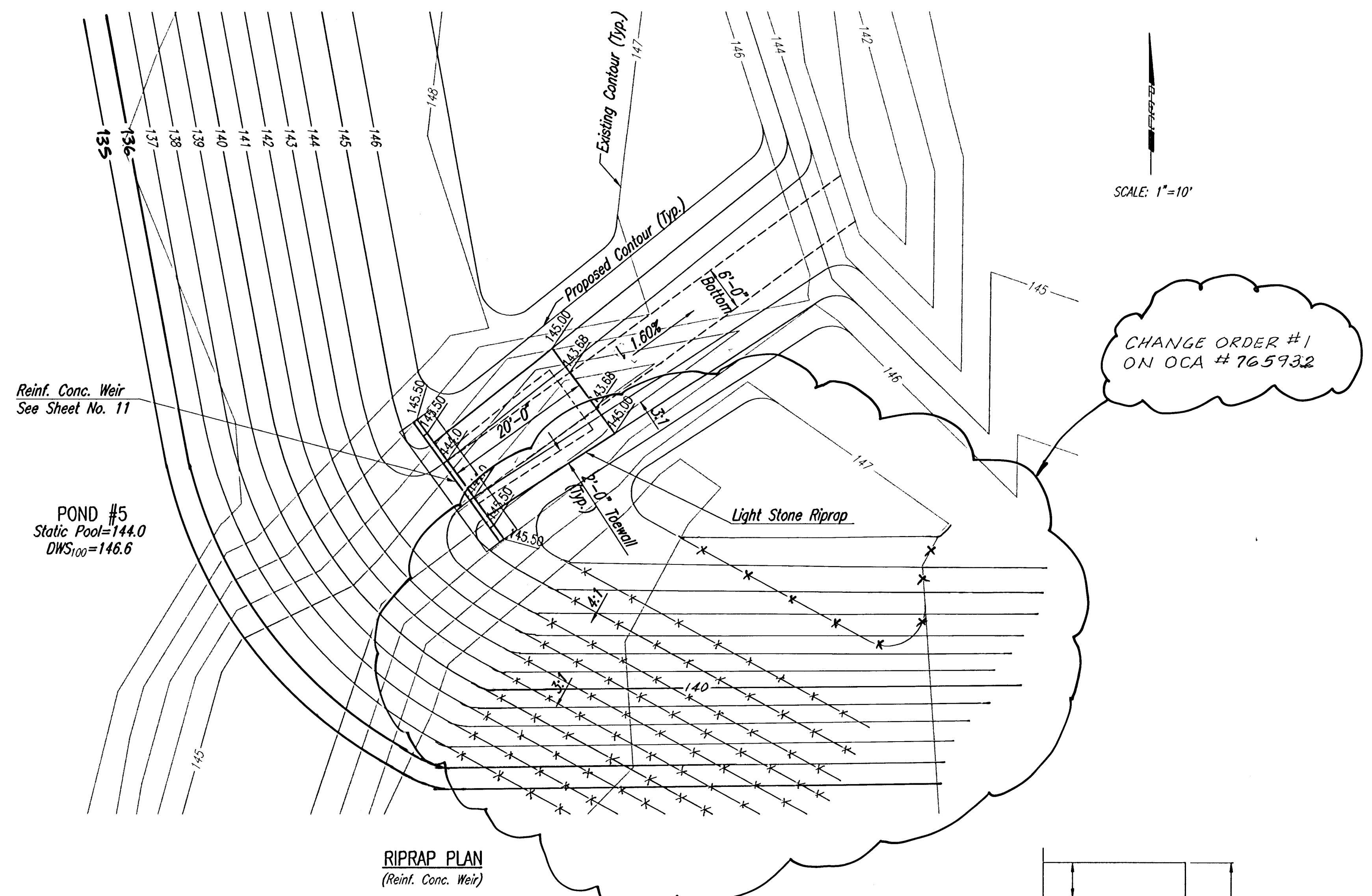


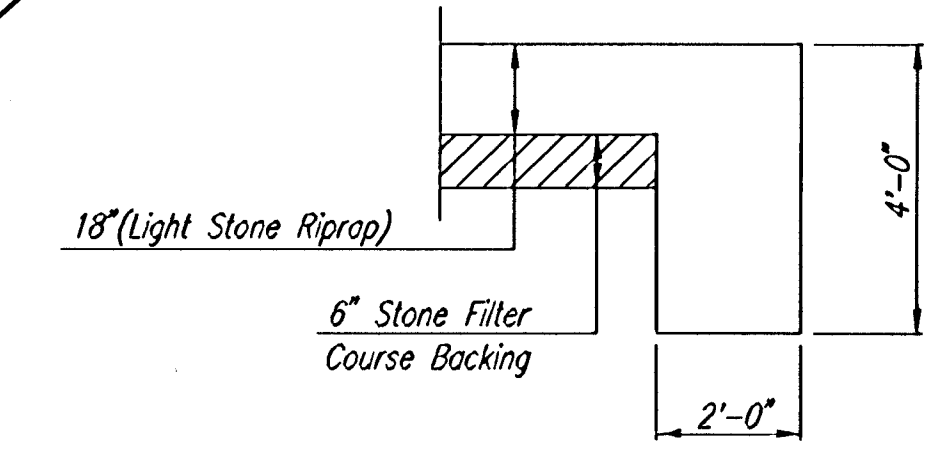
OSNR: BLB_OPRF: BJS SCALE: 1"=10.00
 G:\2005\05257\05257-C-MISC DRNDTL 06-16-2005 12:11:39 am



SCALE: 1"=10'

POND #5
 Static Pool=144.0
 DWS₁₀₀=146.6

RIPRAP PLAN
 (Reinf. Conc. Weir)

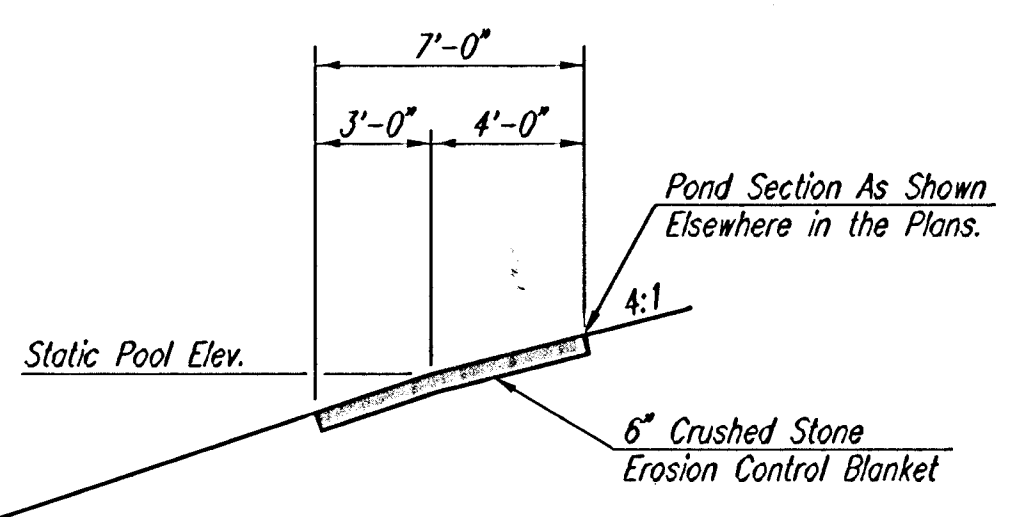


TYPICAL SECTION THRU TOEWALL
 NO SCALE

- NOTES
- ALL RIPRAP FOR THIS PROJECT SHALL BE NATURAL STONE. NEITHER BROKEN CONCRETE, FABRIC ENVELOPE, NOR PREMIXED DRY PACKAGED CONCRETE BAG ALTERNATES WILL BE ALLOWED.
 - TOEWALLS SHALL BE INSTALLED ALONG EDGES OF STONE RIPRAP, AS SHOWN ON RIPRAP PLAN.
 - GROUTING OF THE SURFACE OF THE RIPRAP SHALL NOT BE PERFORMED. GROUTING OF THE TOEWALLS SHALL BE PERFORMED PER CITY SPECIFICATIONS.

B. J. Smith
 02 OCT 06

RECORD DRAWING

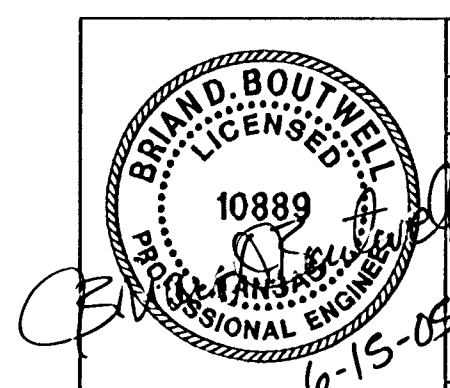


EROSION CONTROL BLANKET DETAIL
 (ADD-ALTERNATE)

CRUSHED STONE FOR THE EROSION CONTROL BLANKET SHALL BE COMMERCIALY AVAILABLE 1/2" x 9/8" CRUSHED STONE FOR RIPRAP. MATERIALS SHALL MEET CITY OF WICHITA REQUIREMENTS FOR QUALITY.

PAYMENT FOR 6" EROSION CONTROL BLANKET SHALL BE PER LINEAL FOOT AS MEASURED ALONG STATIC POOL ELEVATIONS.

IF THE ADD-ALTERNATE IS SELECTED FOR USE ON THIS PROJECT, THE LOWER TEMPORARY EROSION CONTROL BERM AND 8'-0" CURLEX BLANKET SHALL BE OMITTED.



No.	Revision	By	Date

AVALON PARK 3RD
 STORM WATER DRAIN NO. 264
MISCELLANEOUS DRAINAGE DETAILS
 JAMES L. ARMOUR, P.E.-CITY ENGINEER
 CITY OF WICHITA PROJECT NO. 468-84011
Professional Engineering Consultants, P.A.
 303 S. TOPEKA • WICHITA, KANSAS 67202
 316-262-2691 • FAX 316-262-3003

Designed by	BOB, BLB	Job No.	35-05257	SH. 10 of 31
Drawn by	BJS	Date	February 2005	