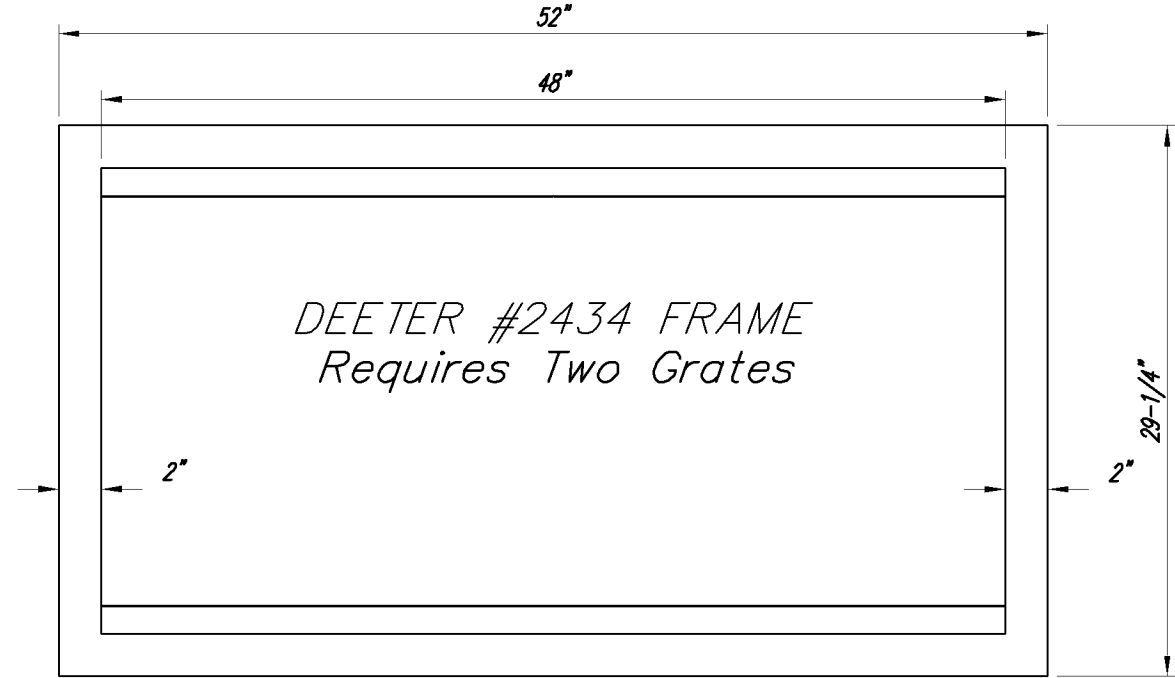


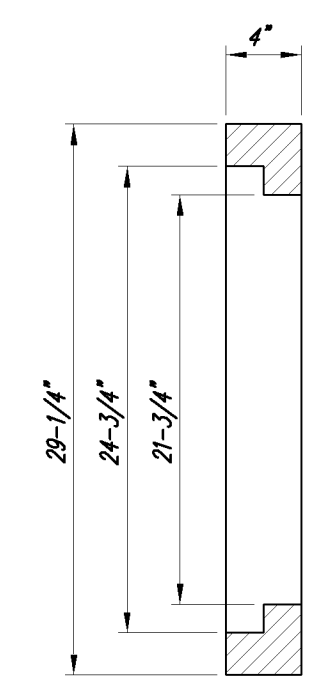
DEETER #2433 GRATE

24" x 24" Frame and Grate Detail

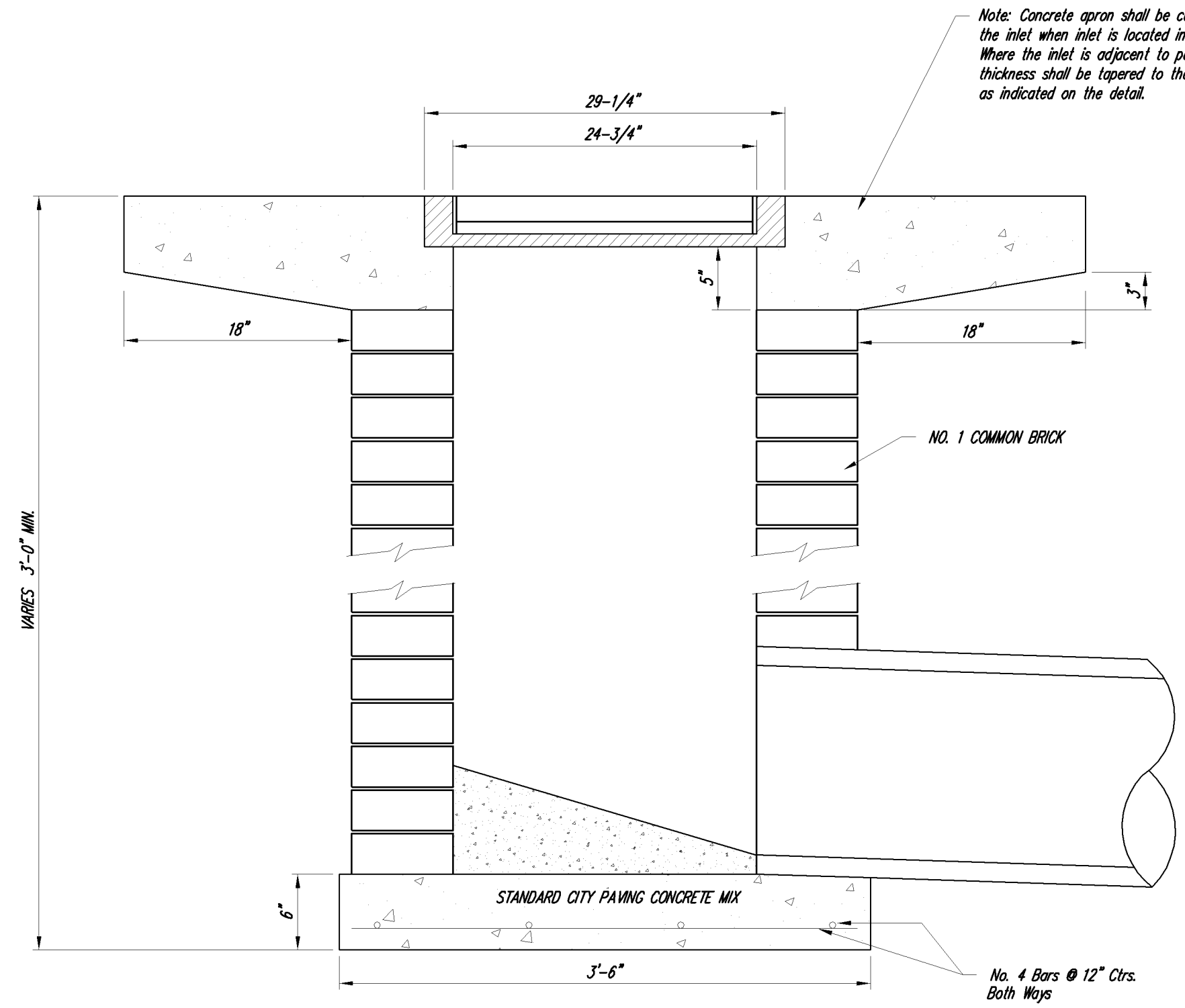
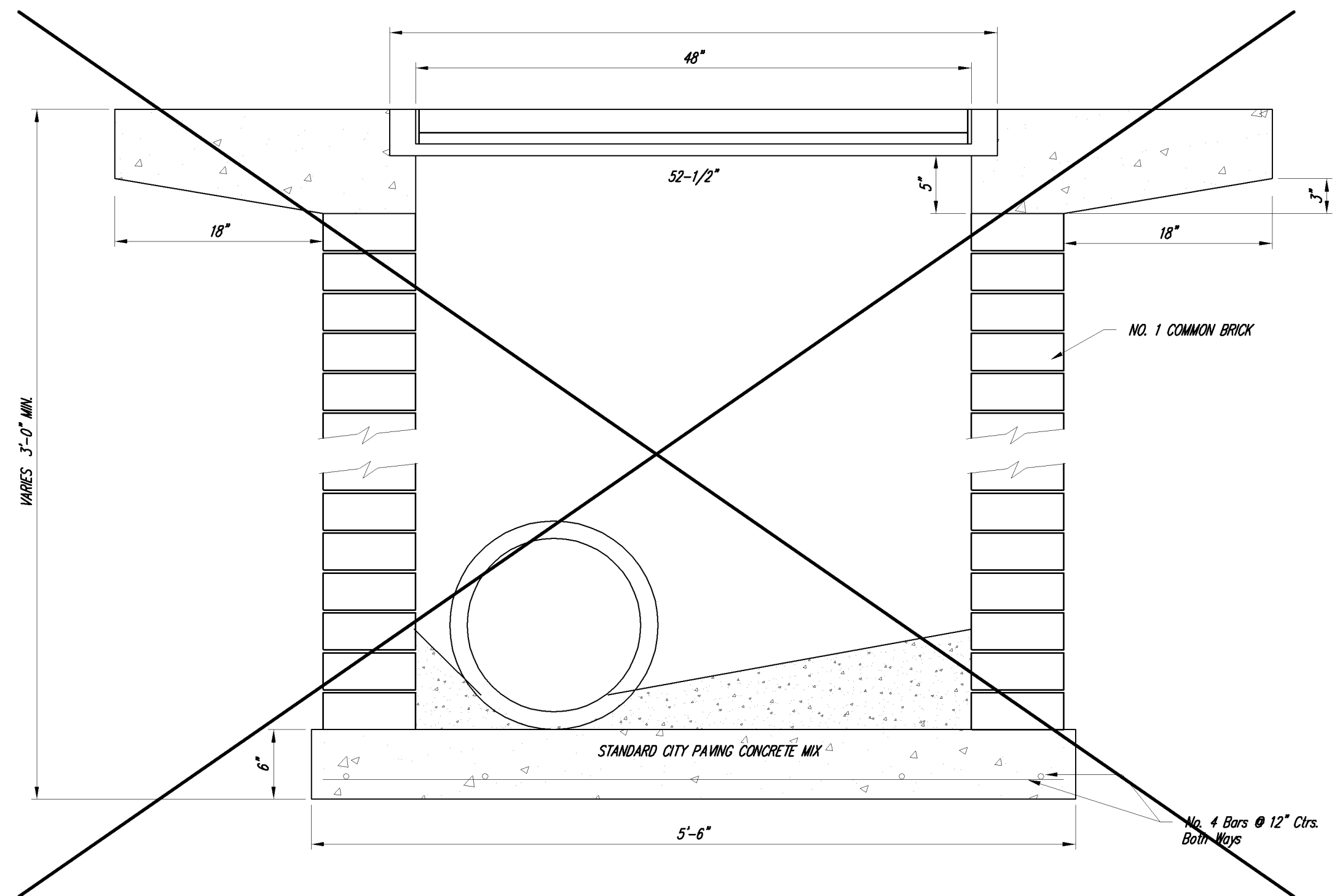
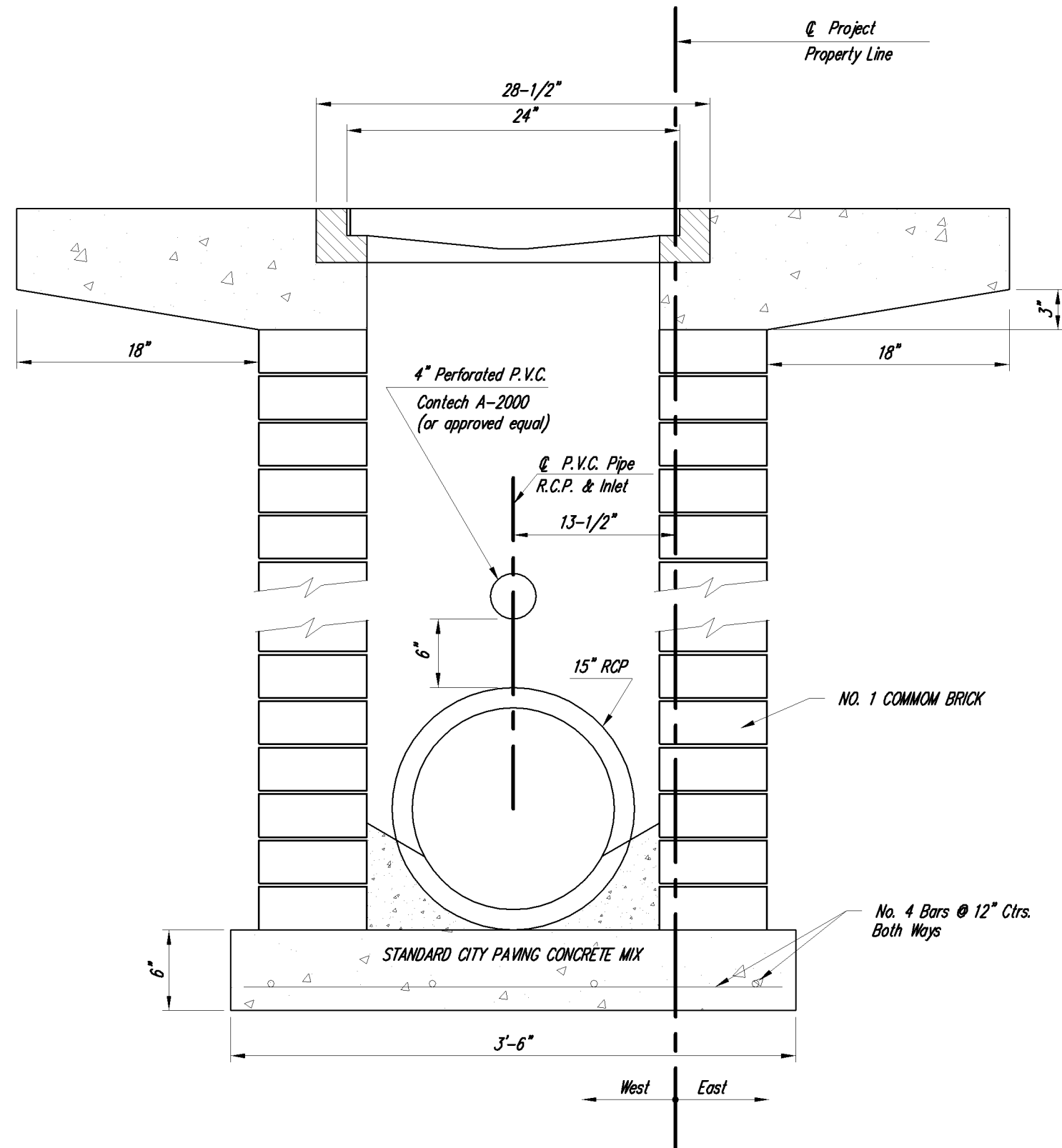


DEETER #2434 FRAME Requires Two Grates

Double 24" x 24" Frame Detail

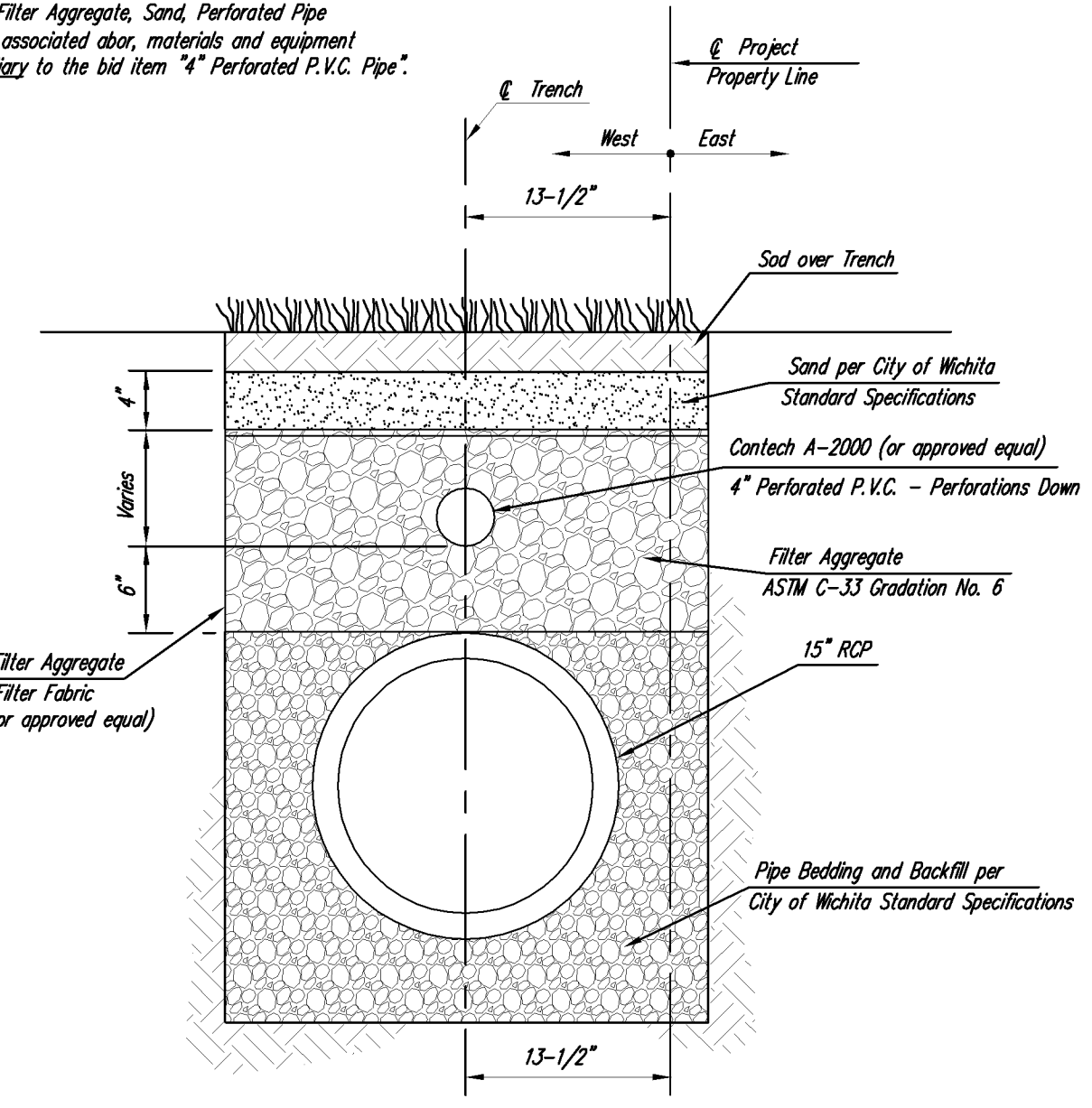


NOTE: Grates shall be imprinted on the top surface with "CITY OF WICHITA" using letters at least 1" in height. Other marking methods may be approved by the engineer.



Note: Concrete apron shall be constructed around the inlet when inlet is located in an unproved area. Where the inlet is adjacent to pavement, the pavement thickness shall be tapered to the inlet in 18 inches as indicated on the detail.

Perforated Pipe Notes:
Filter Fabric, Filter Aggregate, Sand, Perforated Pipe and all other associated labor, materials and equipment will be Subsidiary to the bid item "4" Perforated P.V.C. Pipe".



TRENCH DETAIL



DROP INLET 2' X 2'/2' X 4'	
JAMES L. ARMOUR, P.E. - CITY ENGINEER	
PROJECT NUMBER 488-84152	OCA NO. 751419
DATE JAN. 2007	SHEET 3 OF 14

	<p>BACKYARD DRAINAGE IMPROVEMENTS BETWEEN PRESCOTT STREET & RUTLEDGE CIR DROP INLET/HAY BALE SEDIMENT BARRIER CITY OF WICHITA, KANSAS JAMES L. ARMOUR, P.E. - CITY ENGINEER C.O.W. Project # 488-84152</p>
<p>POE & ASSOCIATES, INC. CONSULTING ENGINEERS 5940 E. Central, Suite 200 Wichita, KS 67208-4242 Phone 316/685-4114 FAX 316/685-4444</p>	<p>DESIGNED BY: PAF DRAWN BY: PAF P.O.E. JOB NO.: 1793a DATE: January 2007</p>
<p>FINAL</p>	<p>DATE: _____ BY: _____ DATE: _____ BY: _____</p>