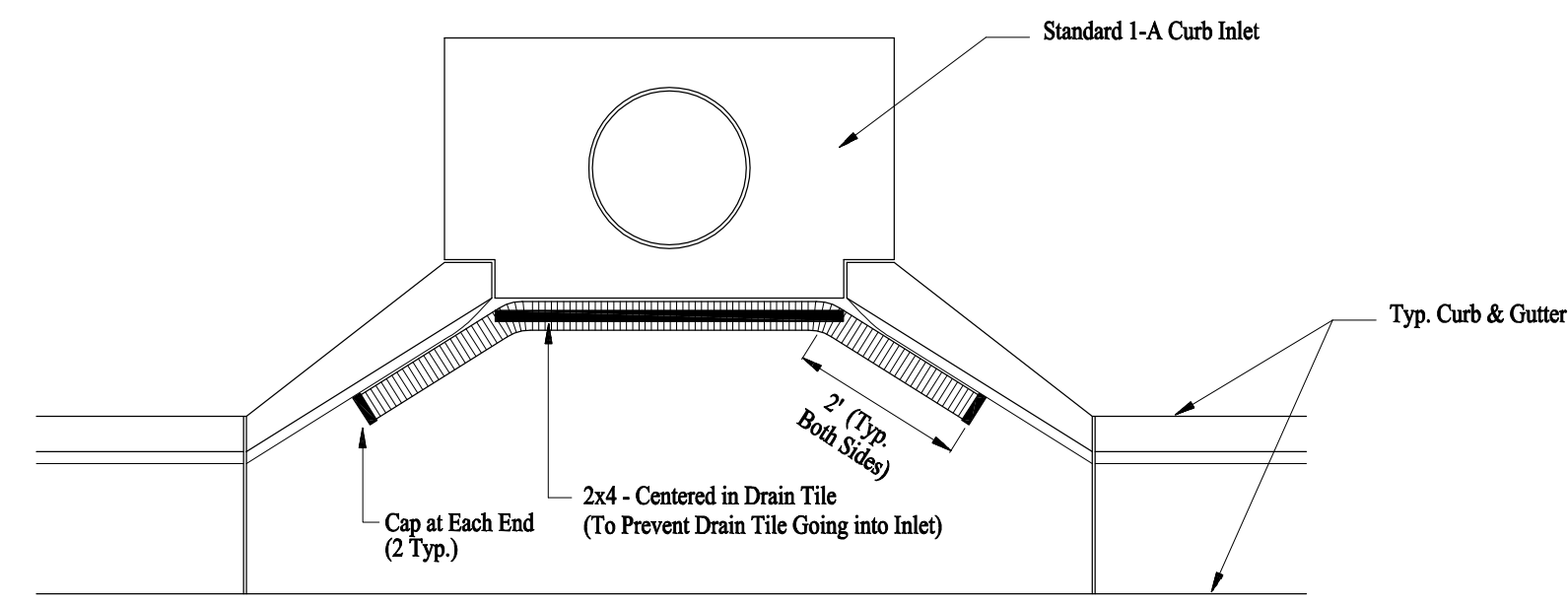
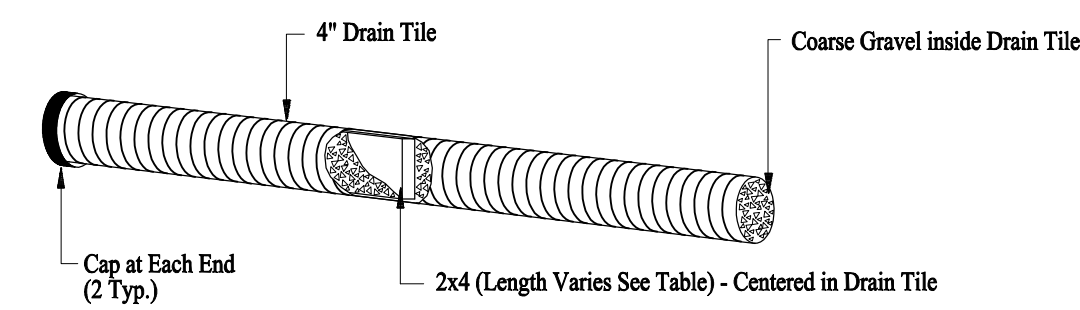


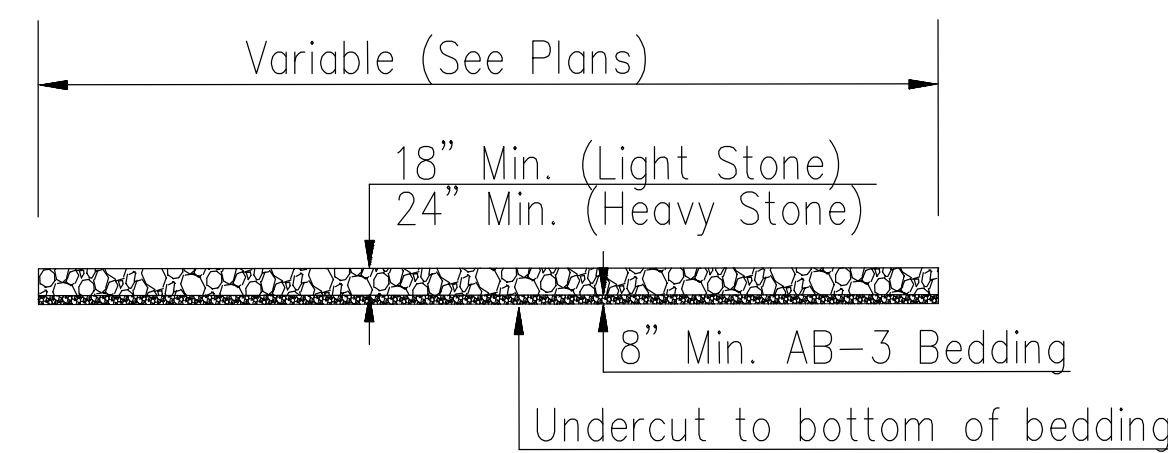
EROSION CONTROL
ADDITIONAL DETAILS



2x4 LENGTH	INLET TYPE	INLET OPENING
5' - 6"	1-A	5'-0"
10' - 6"	1-A	10'-0"
15' - 6"	1-A	15'-0"



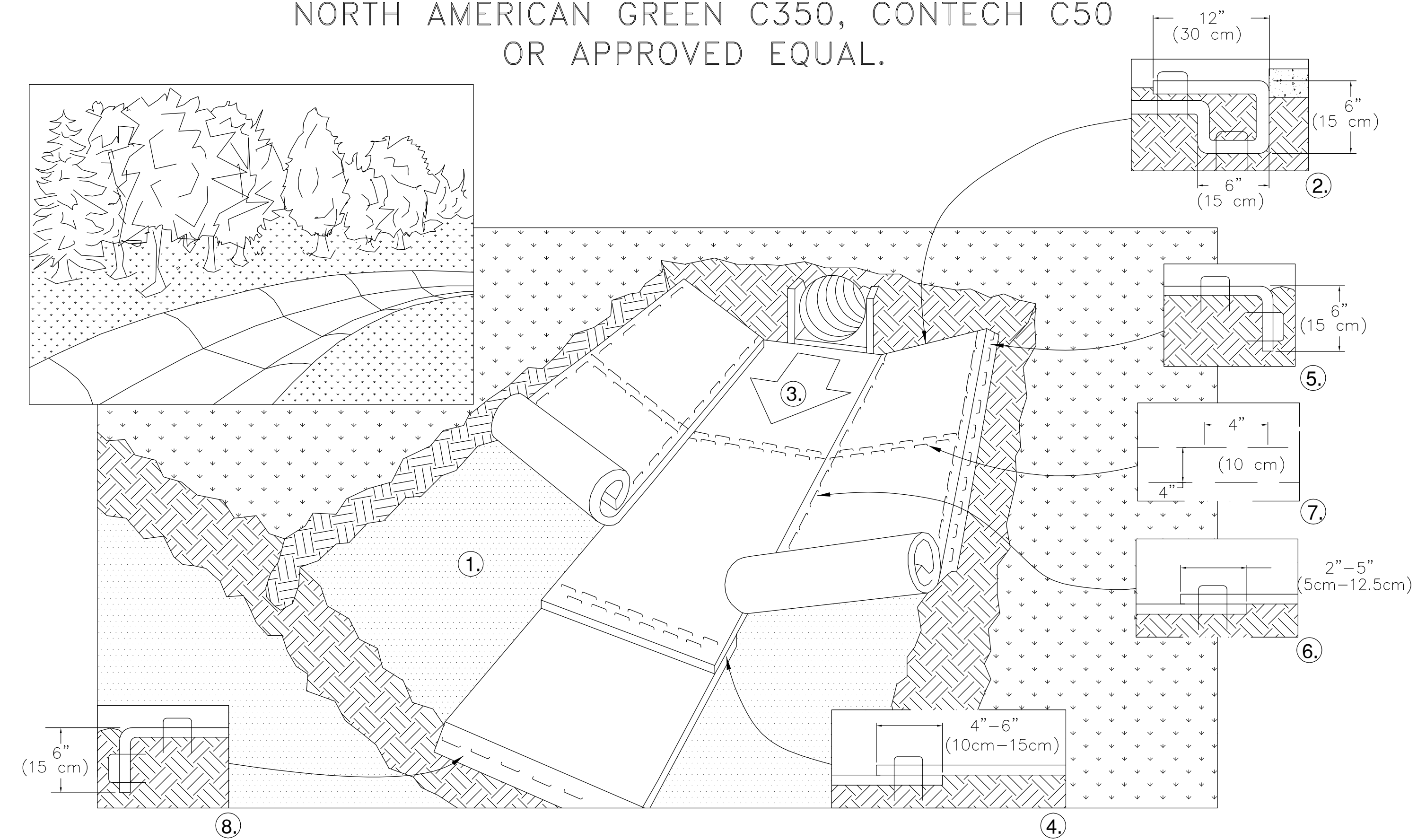
Curb Inlet Sediment Barrier Detail
(No Scale)



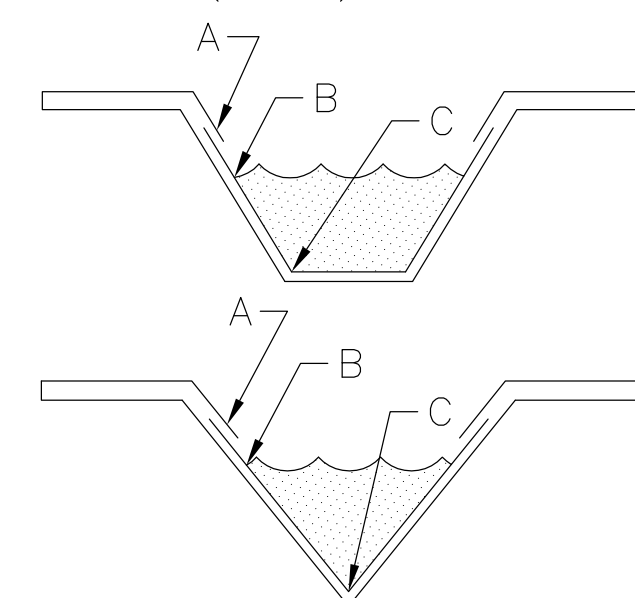
Light Stone Rip Rap shall be used
(Bedding shall be subsidiary to rip rap cost)

RIP RAP DETAIL
(No Scale)

EROSION CONTROL
(PERMANENT) TURF REINFORCEMENT MAT (TRM)
CHANNEL INSTALLATION
NORTH AMERICAN GREEN C350, CONTECH C50
OR APPROVED EQUAL.



- PREPARE SOIL BEFORE INSTALLING BLANKETS, INCLUDING ANY NECESSARY APPLICATION OF LIME, FERTILIZER, AND SEED. NOTE: WHEN USING CELL-O-SEED DO NOT SEED PREPARED AREA. CELL-O-SEED MUST BE INSTALLED WITH PAPER SIDE DOWN.
- BEGIN AT THE TOP OF THE CHANNEL BY ANCHORING THE BLANKET IN A 6" (15cm) DEEP X 6" (15cm) WIDE TRENCH WITH APPROXIMATELY 12" (30cm) OF BLANKET EXTENDED BEYOND THE UP-SLOPE PORTION OF THE TRENCH. ANCHOR THE BLANKET WITH A ROW OF STAPLES/STAKES APPROXIMATELY 12" (30cm) APART IN THE BOTTOM OF THE TRENCH. BACKFILL AND COMPACT THE TRENCH AFTER STAPLING. APPLY SEED TO COMPACTED SOIL AND FOLD REMAINING 12" (30cm) PORTION OF BLANKET BACK OVER SEED AND COMPACTED SOIL. SECURE BLANKET OVER COMPACTED SOIL WITH A ROW OF STAPLES/STAKES SPACED APPROXIMATELY 12" (30cm) APART ACROSS THE WIDTH OF THE BLANKET.
- ROLL CENTER BLANKET IN DIRECTION OF WATER FLOW IN BOTTOM OF CHANNEL. BLANKETS WILL UNROLL WITH APPROPRIATE SIDE AGAINST THE SOIL SURFACE. ALL BLANKETS MUST BE SECURELY FASTENED TO SOIL SURFACE BY PLACING STAPLES/STAKES IN APPROPRIATE LOCATIONS AS SHOWN IN THE STAPLE PATTERN GUIDE.
- PLACE CONSECUTIVE BLANKETS END OVER END (SHINGLE STYLE) WITH A 4"-6" (10cm-15cm) OVERLAP. USE A DOUBLE ROW OF STAPLES STAGGERED 4" (10cm) APART AND 4" (10cm) ON CENTER TO SECURE BLANKETS.
- FULL LENGTH EDGE OF BLANKETS AT TOP OF SIDE SLOPES MUST BE ANCHORED WITH A ROW OF STAPLES/STAKES APPROXIMATELY 12" (30cm) APART IN A 6" (15cm) DEEP X 6" (15cm) WIDE TRENCH. BACKFILL AND COMPACT THE TRENCH AFTER STAPLING.
- ADJACENT BLANKETS MUST BE OVERLAPPED APPROXIMATELY 2"-5" (5cm-12.5cm) (DEPENDING ON BLANKET TYPE) AND STAPLED. TO ENSURE PROPER SEAM ALIGNMENT, PLACE THE EDGE OF THE OVERLAPPING BLANKET (BLANKET BEING INSTALLED ON TOP) EVEN WITH THE SEAM STITCH ON THE BLANKET BEING OVERLAPPED.
- IN HIGH FLOW CHANNEL APPLICATIONS, A STAPLE CHECK SLOT IS RECOMMENDED AT 30 TO 40 FOOT (9m-12m) INTERVALS. USE A DOUBLE ROW OF STAPLES STAGGERED 4" (10cm) APART AND 4" (10cm) ON CENTER OVER ENTIRE WIDTH OF THE CHANNEL.
- THE TERMINAL END OF THE BLANKETS MUST BE ANCHORED WITH A ROW OF STAPLES/STAKES APPROXIMATELY 12" (30cm) APART IN A 6" (15cm) DEEP X 6" (15cm) WIDE TRENCH. BACKFILL AND COMPACT THE TRENCH AFTER STAPLING.



- CRITICAL POINTS
- A. OVERLAPS AND SEAMS
 - B. PROJECTED WATER LINE
 - C. CHANNEL BOTTOM/SIDE SLOPE VERTICES

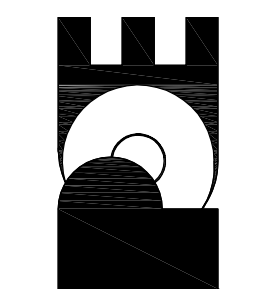
NOTE:
* HORIZONTAL STAPLE SPACING SHOULD BE ALTERED IF NECESSARY TO ALLOW STAPLES TO SECURE THE CRITICAL POINTS ALONG THE CHANNEL SURFACE.

** IN LOOSE SOIL CONDITIONS, THE USE OF STAPLE OR STAKE LENGTHS GREATER THAN 6" (15 cm) MAY BE NECESSARY TO PROPERLY ANCHOR THE BLANKETS.

*** USE NORTH AMERICAN GREEN SC150, LANDLOK CS2, CONTECH SCFB2, OR APPROVED EQUAL.

BACKYARD DRAINAGE IMPROVEMENTS
BETWEEN PRESCOTT STREET & RUTLEDGE CIR.
LINE NO. 1
CITY OF WICHITA, KANSAS
JAMES L. ARMOUR, P.E. - CITY ENGINEER
C.O.W. Project # 468-84152

POE & ASSOCIATES, INC.
CONSULTING ENGINEERS
5940 E. Central, Suite 200 ■ Wichita, KS 67208-4922
Phone 316/685-4114 ■ FAX 316/685-4444



FINAL

Designed By: PAF
Drawn By: PAF
Poe Job No.: 17936
Date: January 2007