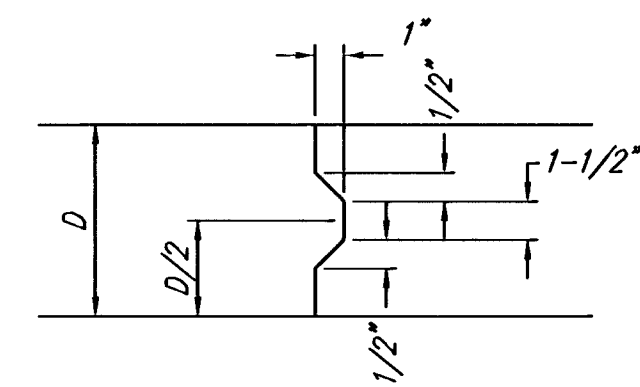
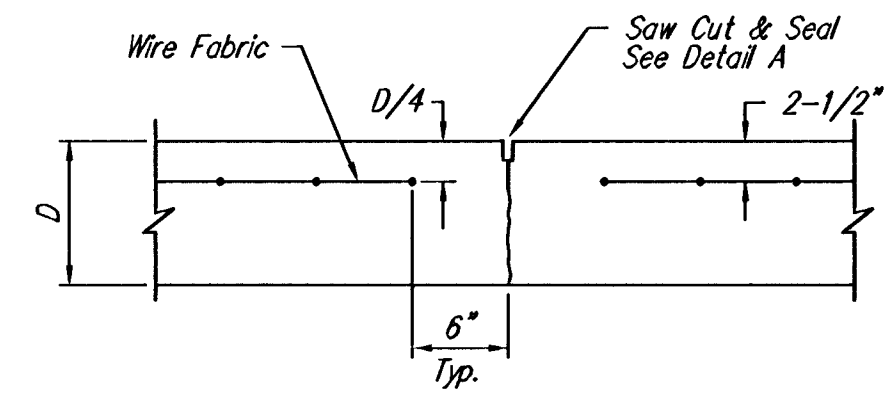


EXPANSION JOINT

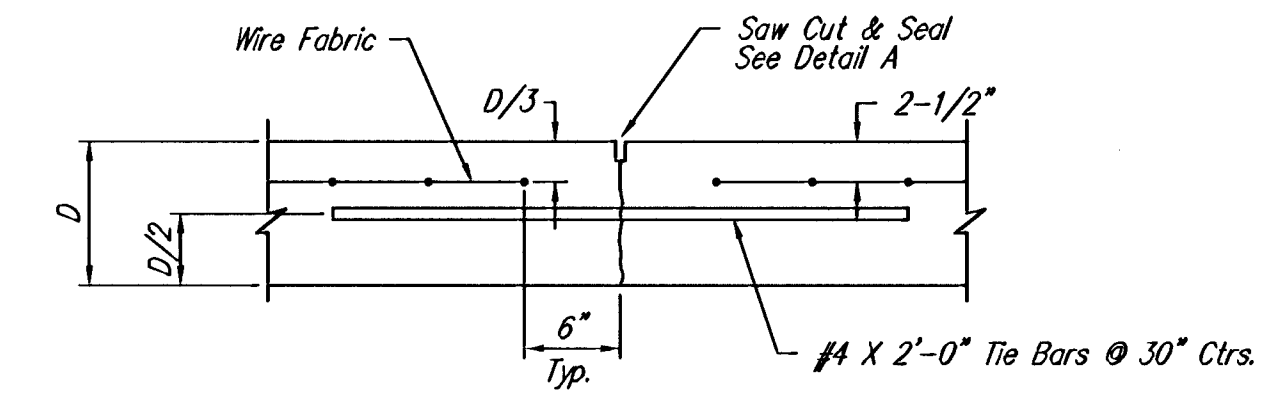
NOTE: Extra Thickness to be Subsidiary to Price of Square Yards Pavement



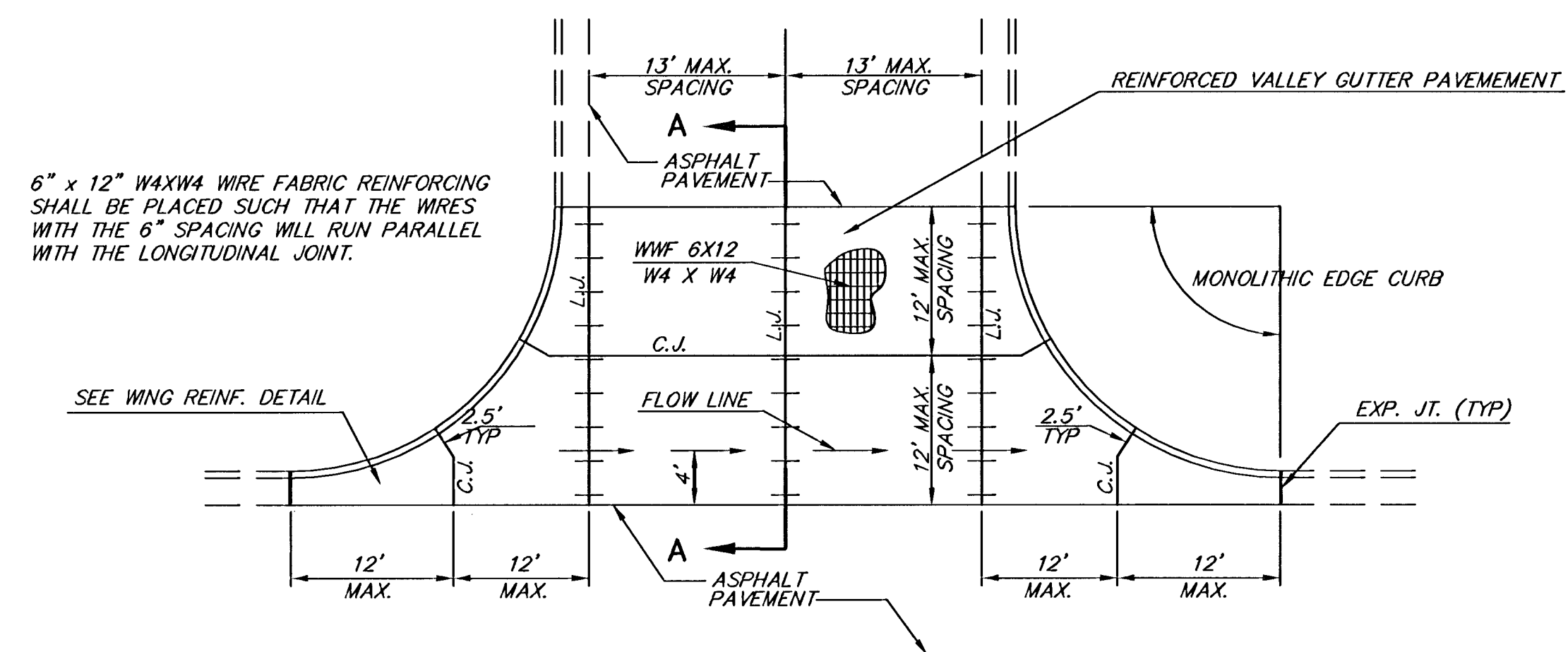
KEYWAY DETAIL



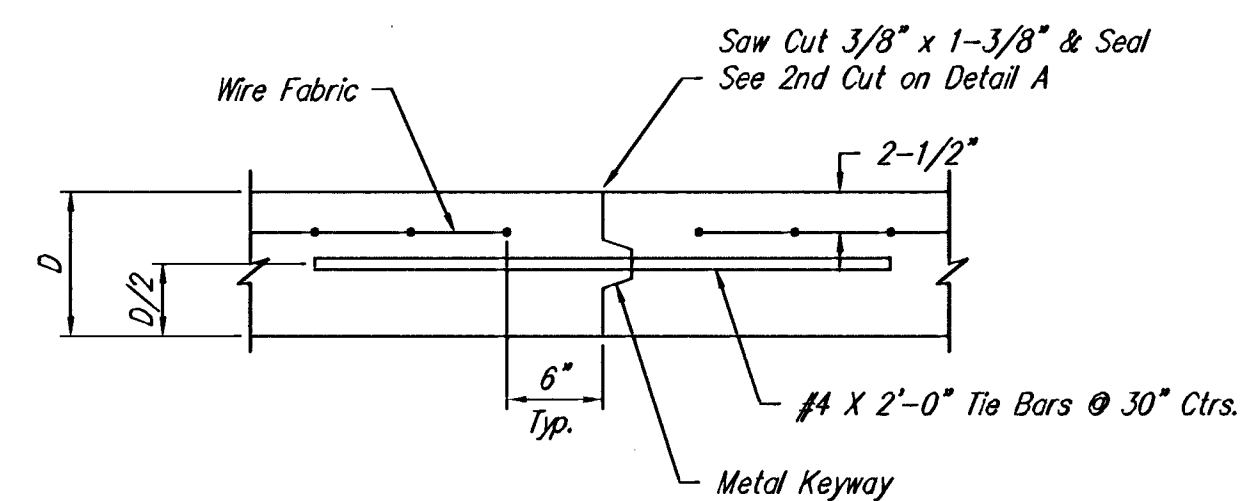
CONTRACTION JOINT DETAIL (C.J.)



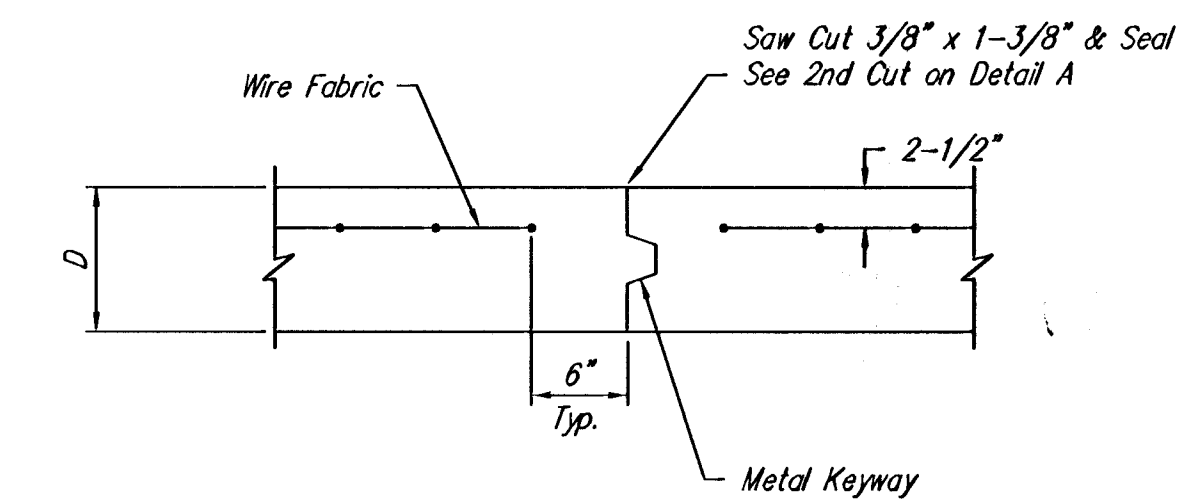
LONGITUDINAL JOINT DETAIL (L.J.)



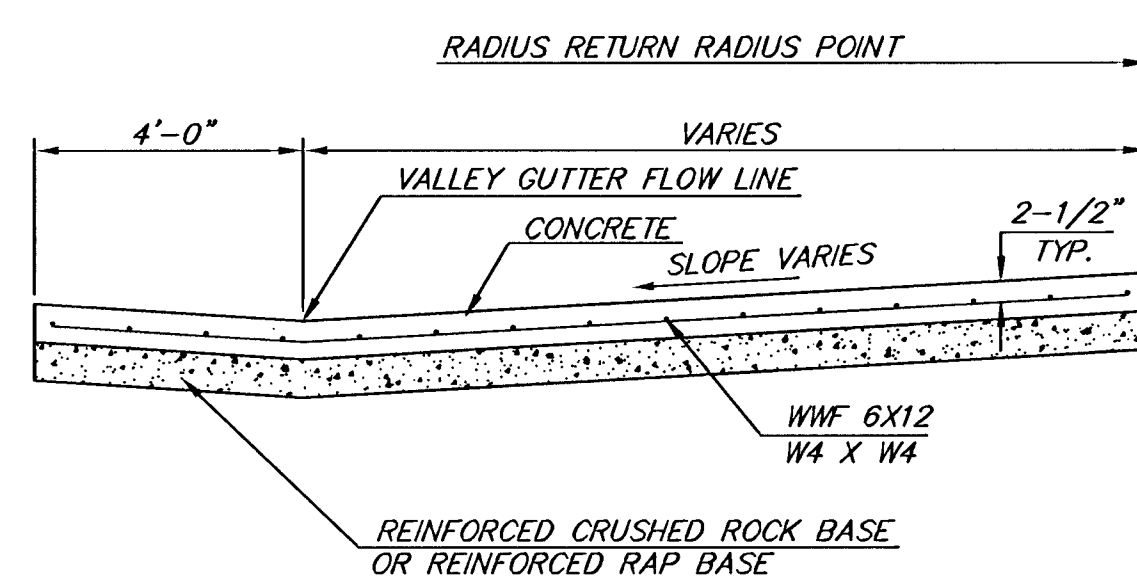
PLAN



OPTIONAL LONGITUDINAL JOINT DETAIL (L.J.)

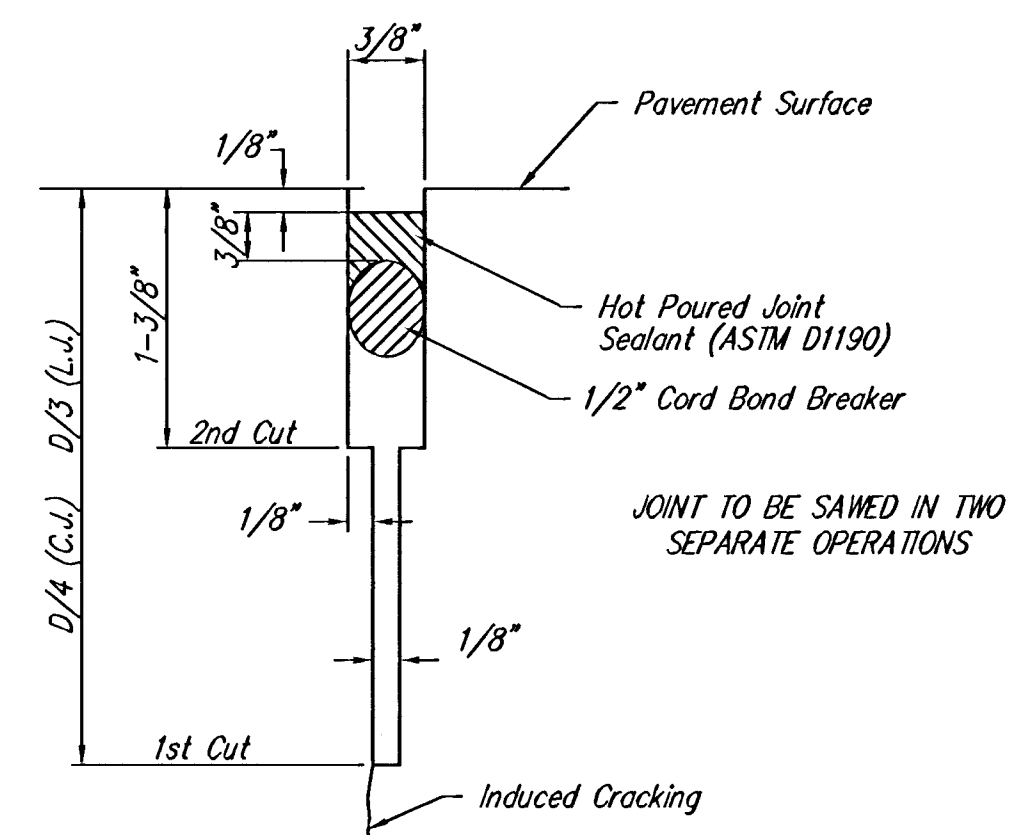


OPTIONAL CONTRACTION JOINT

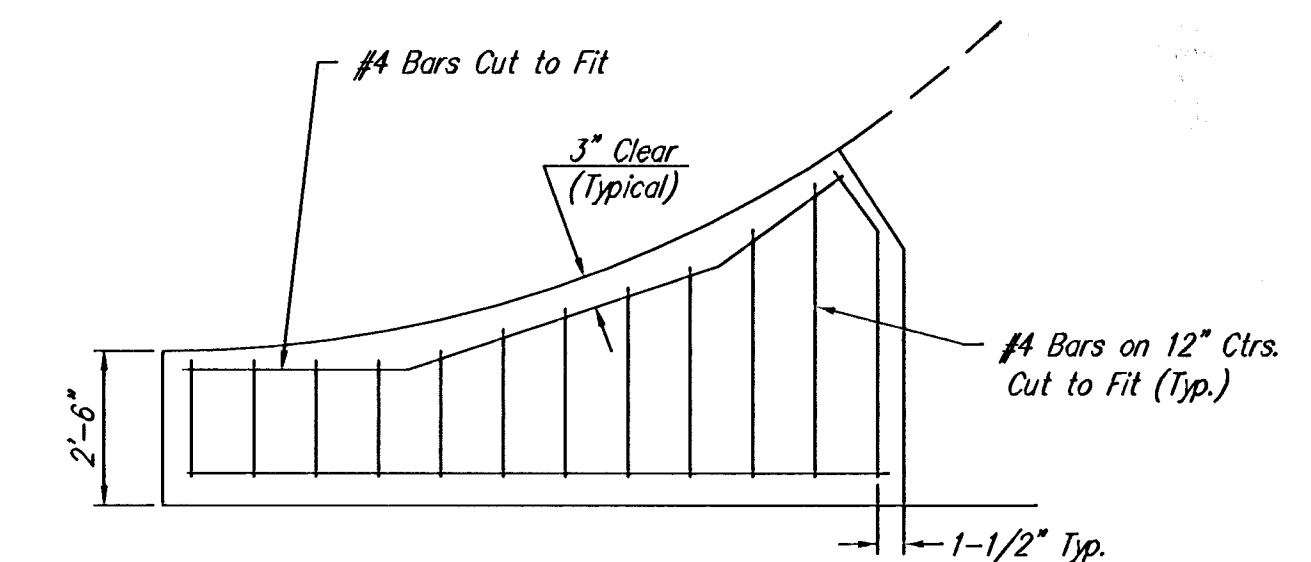


SECTION A-A

REINFORCED VALLEY GUTTER DETAIL



SAW JOINT DETAIL



WING REINFORCING DETAIL

<p>THE CITY OF WICHITA</p> <p>CITY ENGINEER'S OFFICE CITY HALL - SEVENTH FLOOR 425 NORTH MAIN STREET WICHITA, KANSAS 67202 (316) 268-4501 (316) 268-4114 FAX</p>	VALLEY GUTTER DETAILS	
	JIM ARMOUR - ACTING CITY ENGINEER	
	PROJECT NUMBER 472-83857	OCA NUMBER 765918
	DATE JAN 2005	SHEET 4 OF 17