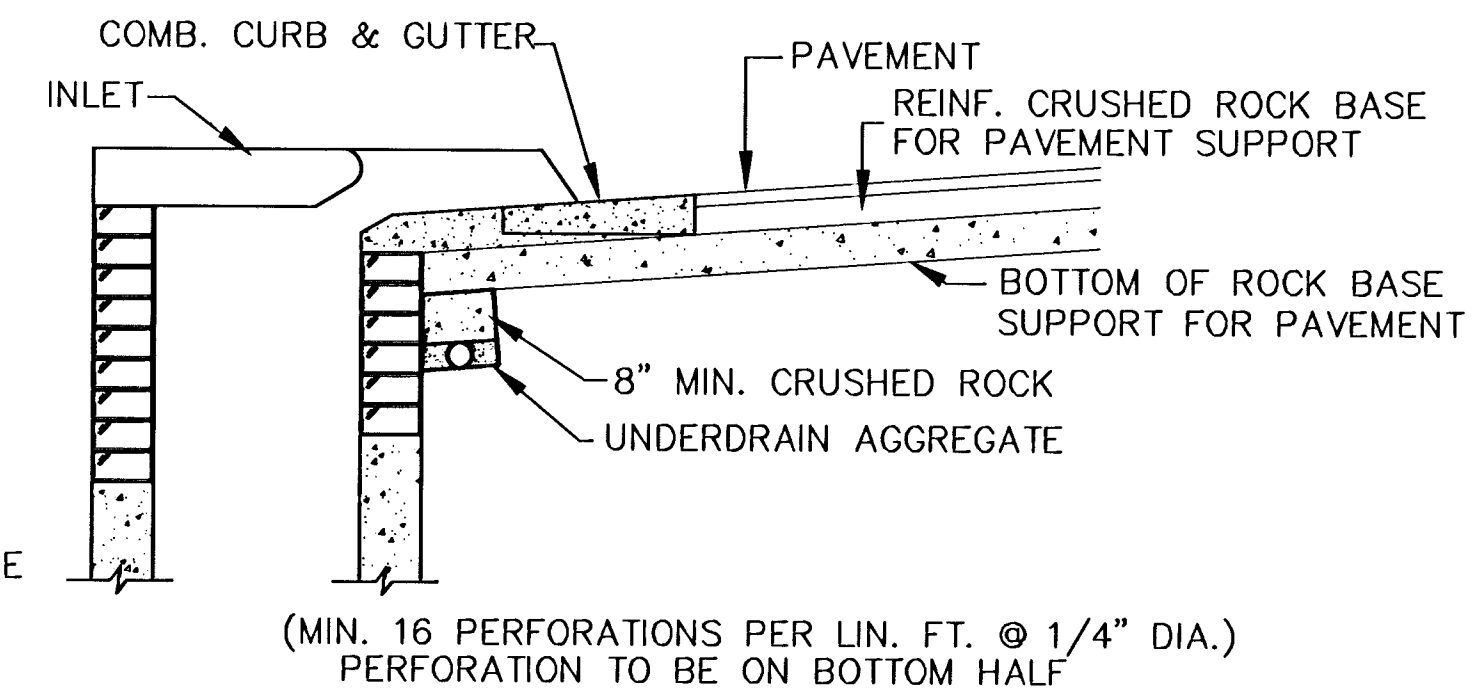


PLAN

\* UNDERDRAIN AGGREGATE PERCENT OF AGGREGATE RETAINED

1"	0
3/4"	0 to 10
3/8"	45 to 80
#4	90 to 100
#8	95 to 100

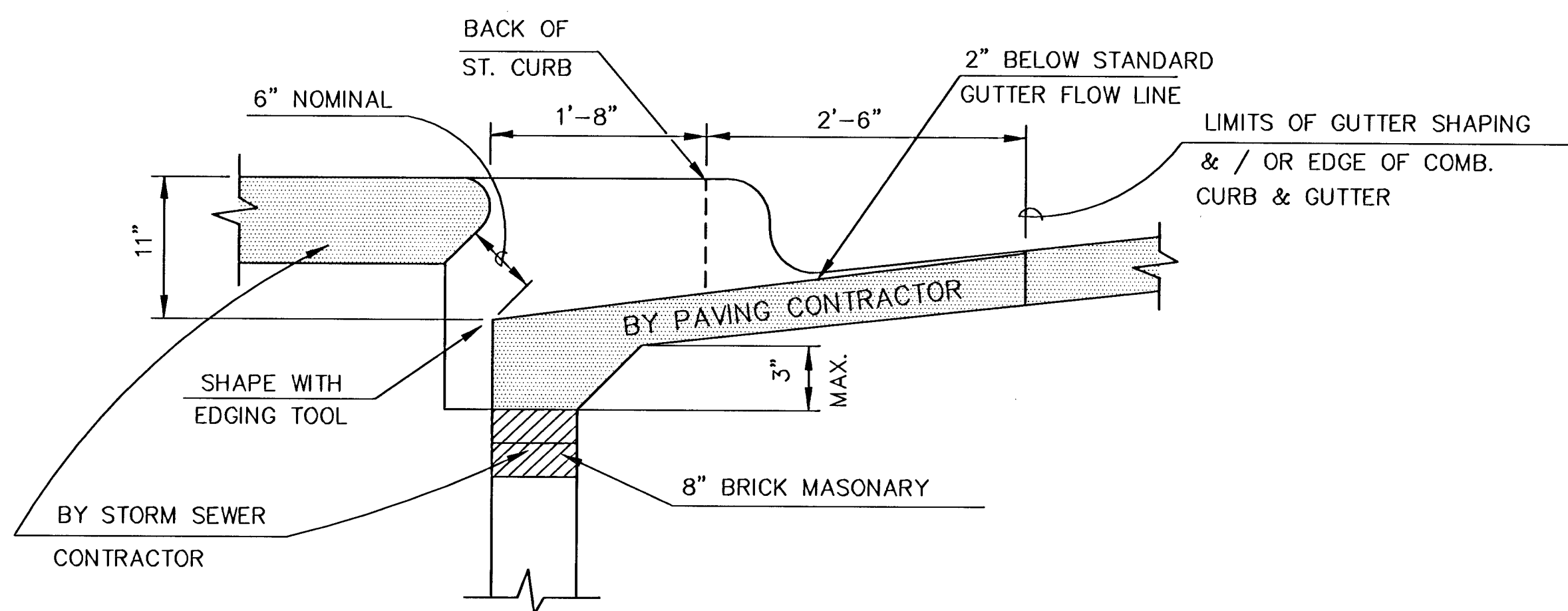
ROCK QUALITY SHALL CONFORM TO THE REQUIREMENTS SPECIFIED BY K.D.O.T. 1990 EDITION STANDARD SPECIFICATION SUBSECTION 1102 FOR DURABILITY CLASS 1.



SECTION A-A

NOTE: PLACE 4" PVC PERFORATED PIPE AT ALL DRAINAGE SUMP LOCATIONS. COST OF UNDERDRAIN SYSTEM TO BE INCIDENTAL TO THE REINFORCED CRUSHED ROCK SUBGRADE. INLET TYPE MAY VARY FROM THAT SHOWN.

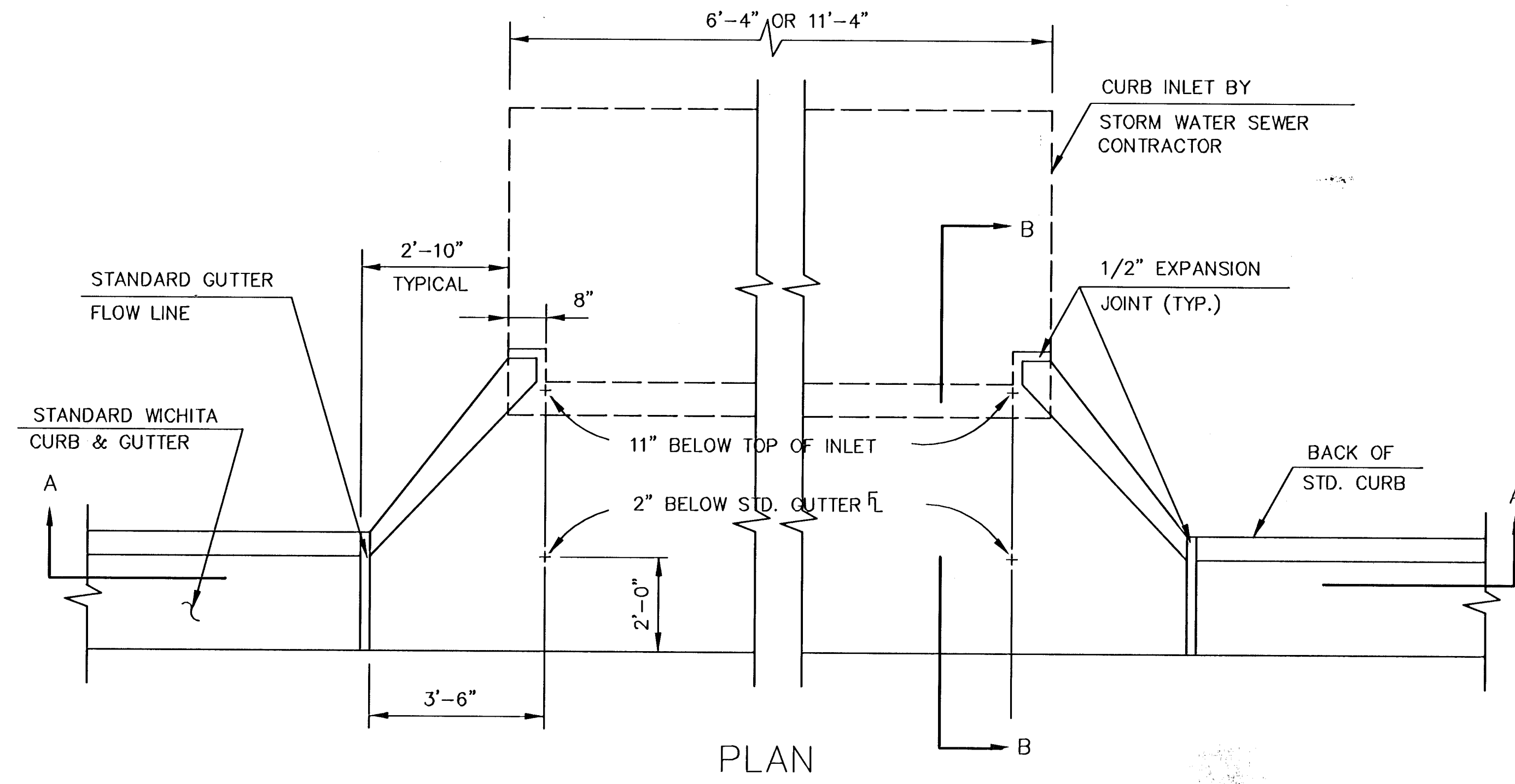
## PAVEMENT UNDERDRAIN DETAIL



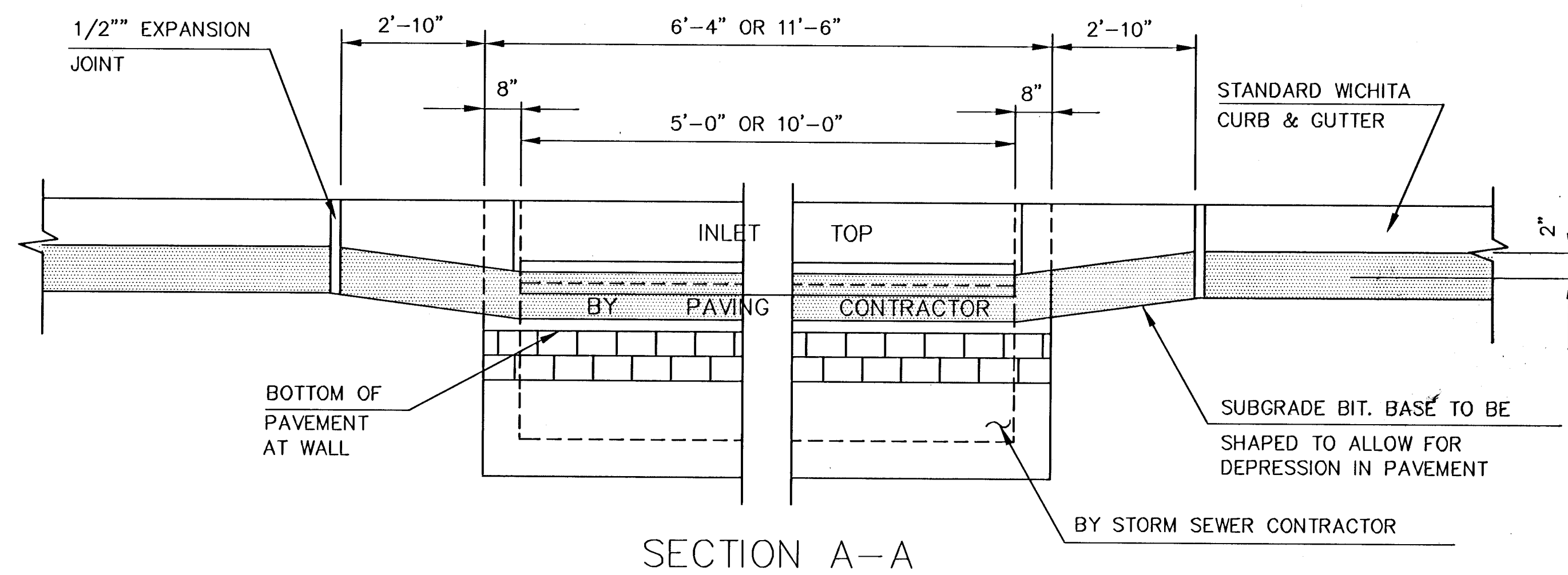
SECTION B-B

## TYPE 1A INLET HOOKUP

( BY PAVING CONTRACTOR )



PLAN



SECTION A-A

## GENERAL NOTES

1. USE THE CONCRETE MIX SPECIFIED FOR CITY OF WICHITA CONCRETE PAVEMENT. ALL EXPOSED EDGES SHALL BE FINISHED WITH AN EDGING TOOL.
2. TYPE 1A INLET HOOKUP WILL BE PAID EACH REGARDLESS OF SIZE.
3. ADDITIONAL CURB & GUTTER CONSTRUCTION NECESSARY TO CONNECT SET BACK INLET TO PAVEMENT WILL BE PAID FOR AT THE UNIT PRICE BID FOR EACH INLET HOOKUP. (BY PAVING CONTRACTOR)

4:\DWG\02121\DWG\PAV\PAV45F2A\02121ED5.DWG



**REED'S COVE ADDITION**  
PROJECT NAME

**INLET HOOK UP & UNDERDRAIN DETAILS**  
SHEET TITLE

MKEC  
DESIGN BY:

MKEC  
DRAWN BY:

GJA  
CHECKED BY:

JANUARY 2005  
DATE

02121ED5  
DRAWING NAME

7 / 17  
SHEET / OF