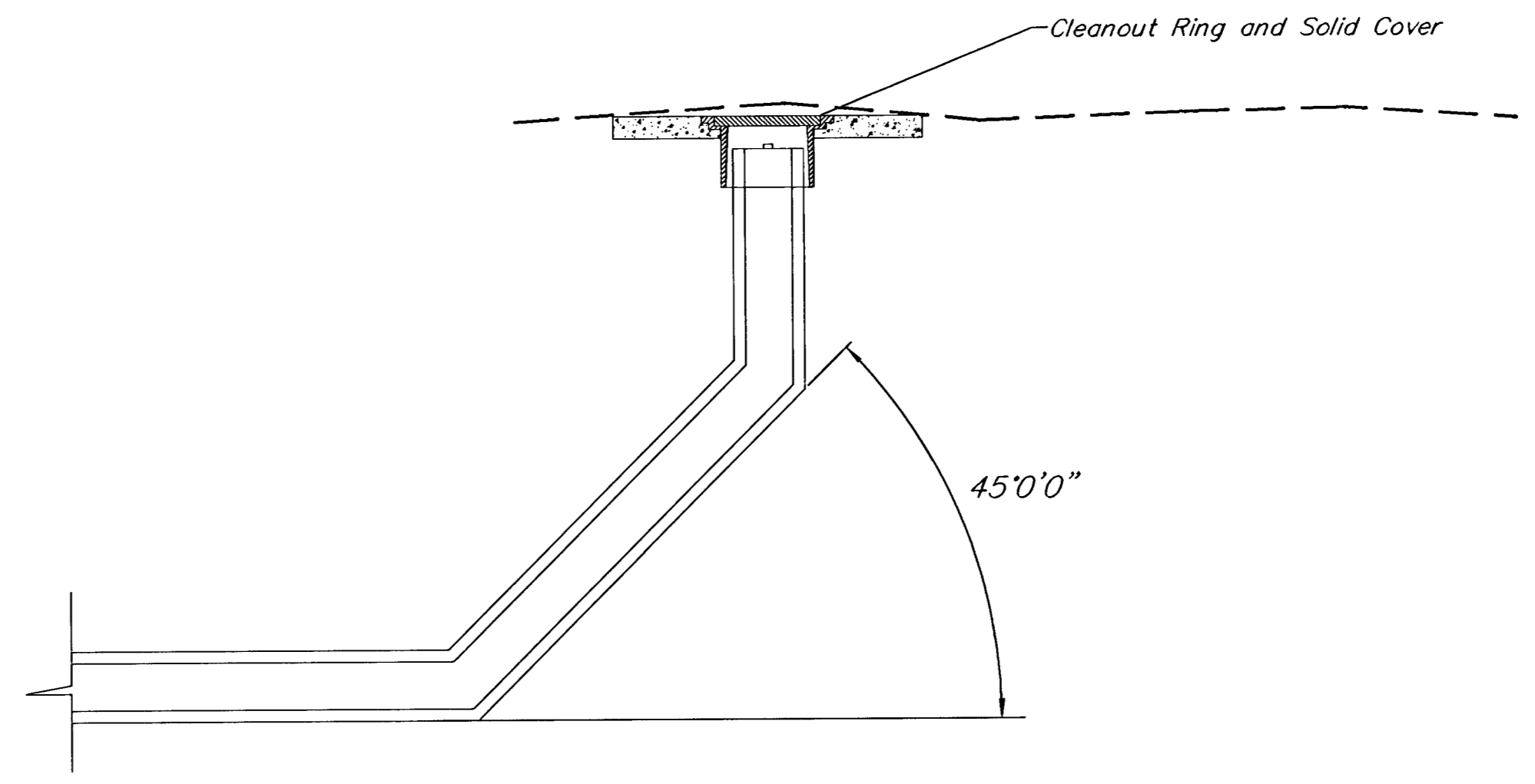
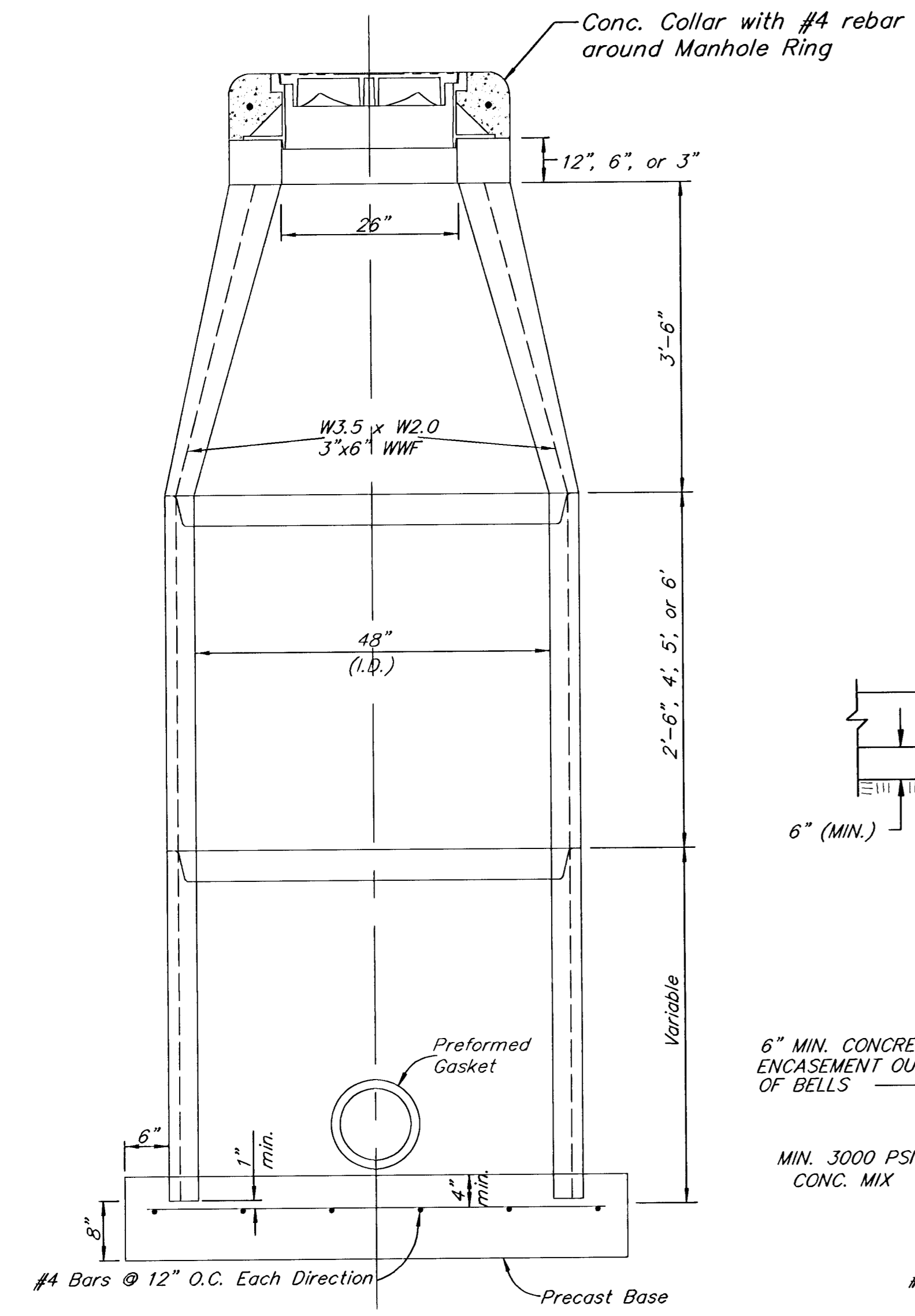


SERVICE LINE POST DETAIL
 Costs for metal posts are subsidiary to 4" service line bid items.

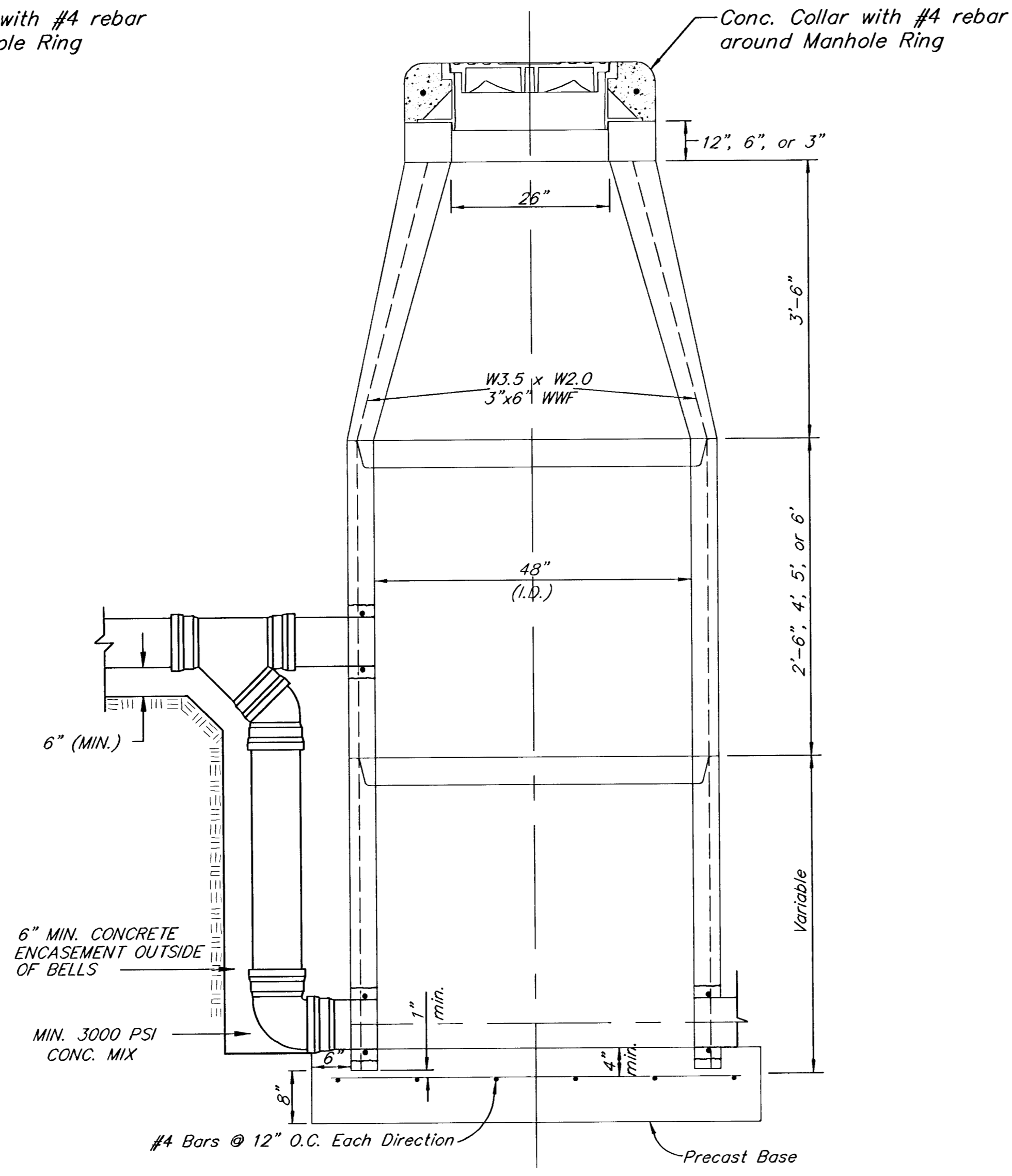


CLEANOUT DETAIL

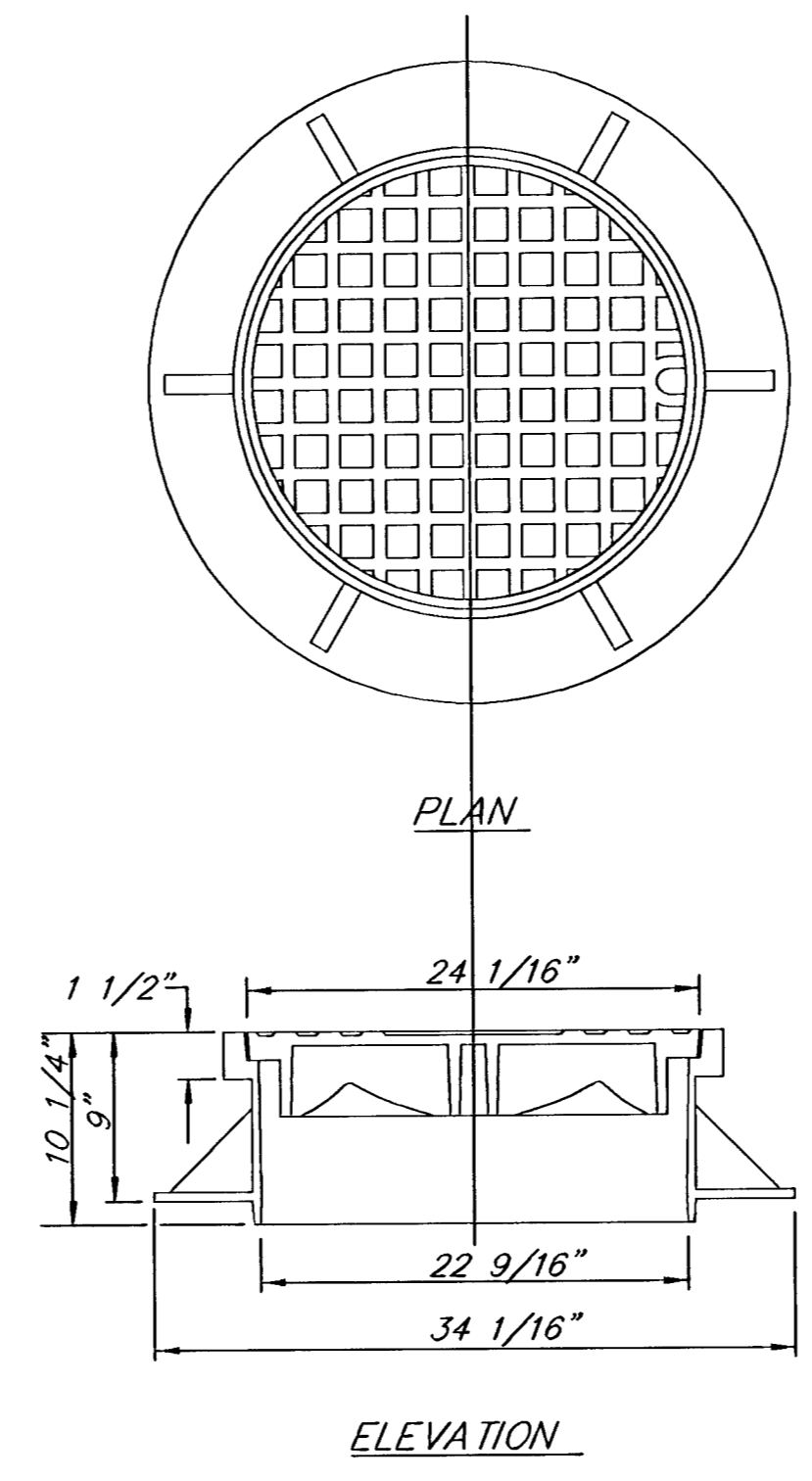
- NOTES:**
1. Manhole Ring & Cover to be Deeter #1300 or approved equal.
 2. Furnish with machined horizontal bearing surfaces.
 3. Furnish with word "SEWER" cast on lid.
 4. All Manholes to meet current ASTM C478 Specifications.
 5. Manhole rings & lids shall be heavy duty when in the pavement.



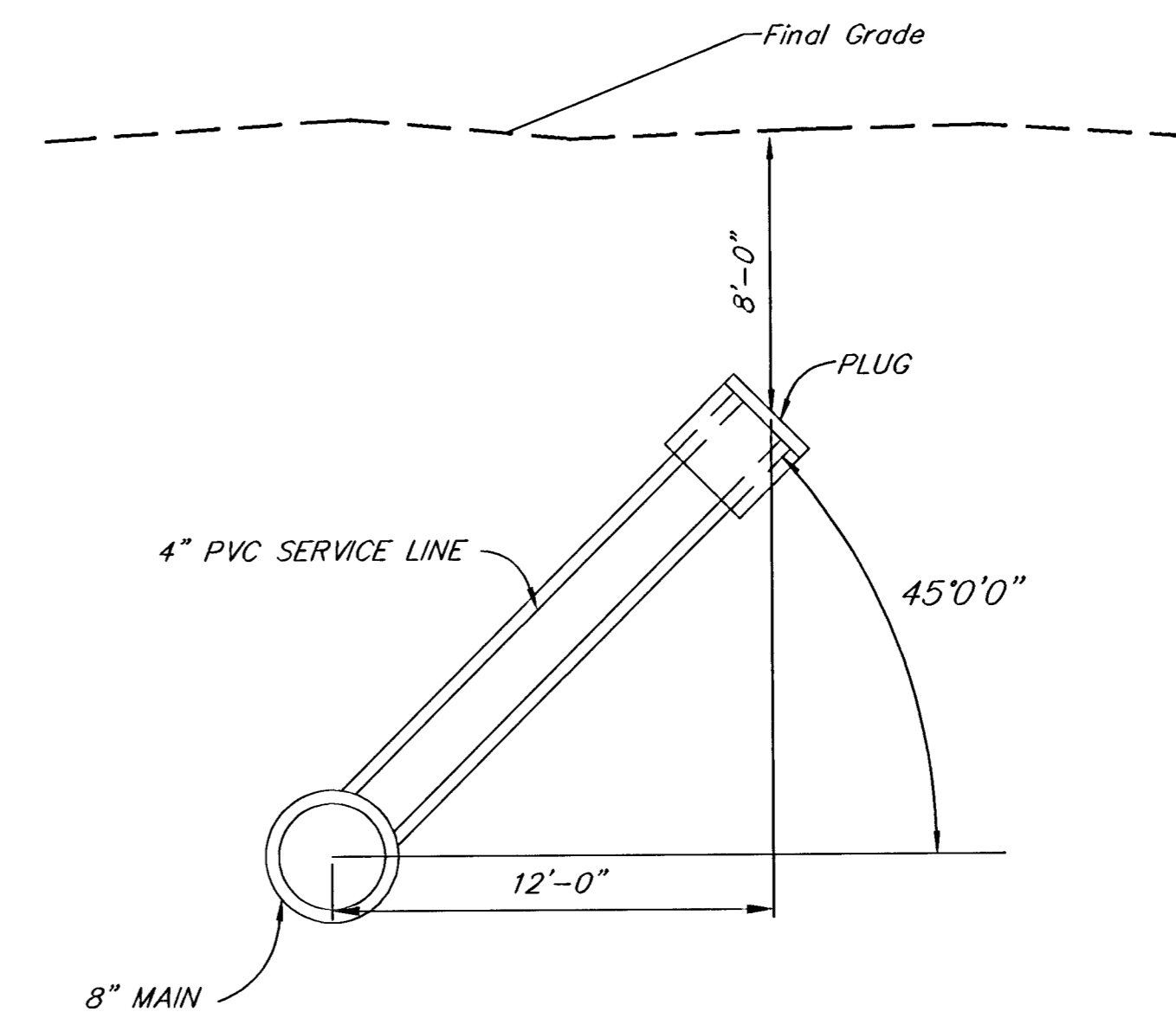
STANDARD MANHOLE



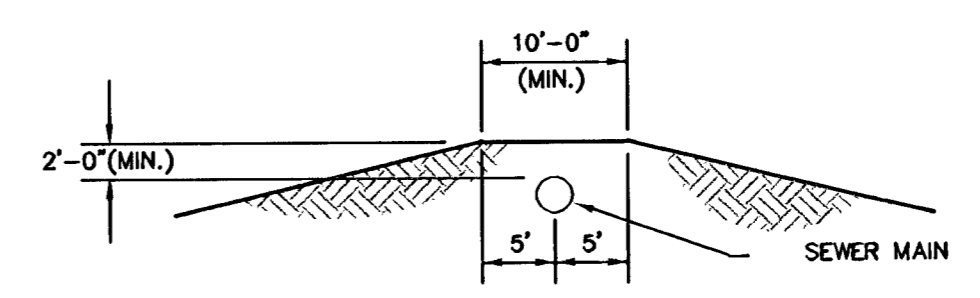
OUTSIDE DROP MANHOLE



MANHOLE RING AND COVER



SERVICE LINE DETAIL
 (Block 1 Lots 18 & 24)



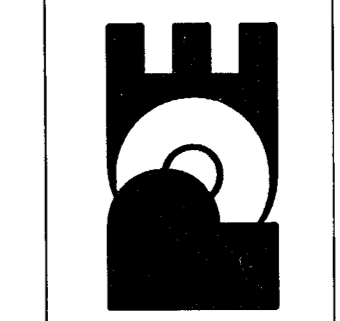
PROTECTIVE FILL DETAIL

MINIMUM PROTECTIVE FILL SHALL BE PROVIDED IN ALL INSTANCES WHERE COVER OVER THE PROP. SEWER LINE IS LESS THAN (2) FEET. (COST SUBSIDIARY TO PIPE INSTALLATION)

| | | | | |
|-----|------|----|----------|----------|
| No. | Date | By | Approved | Revision |
| | | | | |
| | | | | |
| | | | | |

SAND PLUM ADDITION
 SANITARY SEWER IMPROVEMENTS
 MANHOLE DETAILS
 CITY OF WICHITA, KANSAS
 JAMES ARMOUR, P.E. - CITY ENGINEER
 Proj.# 468-83822 O.C.A.# 744073

POE & ASSOCIATES, INC.
 CONSULTING ENGINEERS
 5940 E. Central Suite 200 Wichita, KS 67208-4242
 Phone 316-865-4114 FAX 316-865-4444



FINAL
 Designed By: T. Austin
 Drawn By: S. Schmidt
 P.O. Job No.: 02153-03
 Date: December 2004