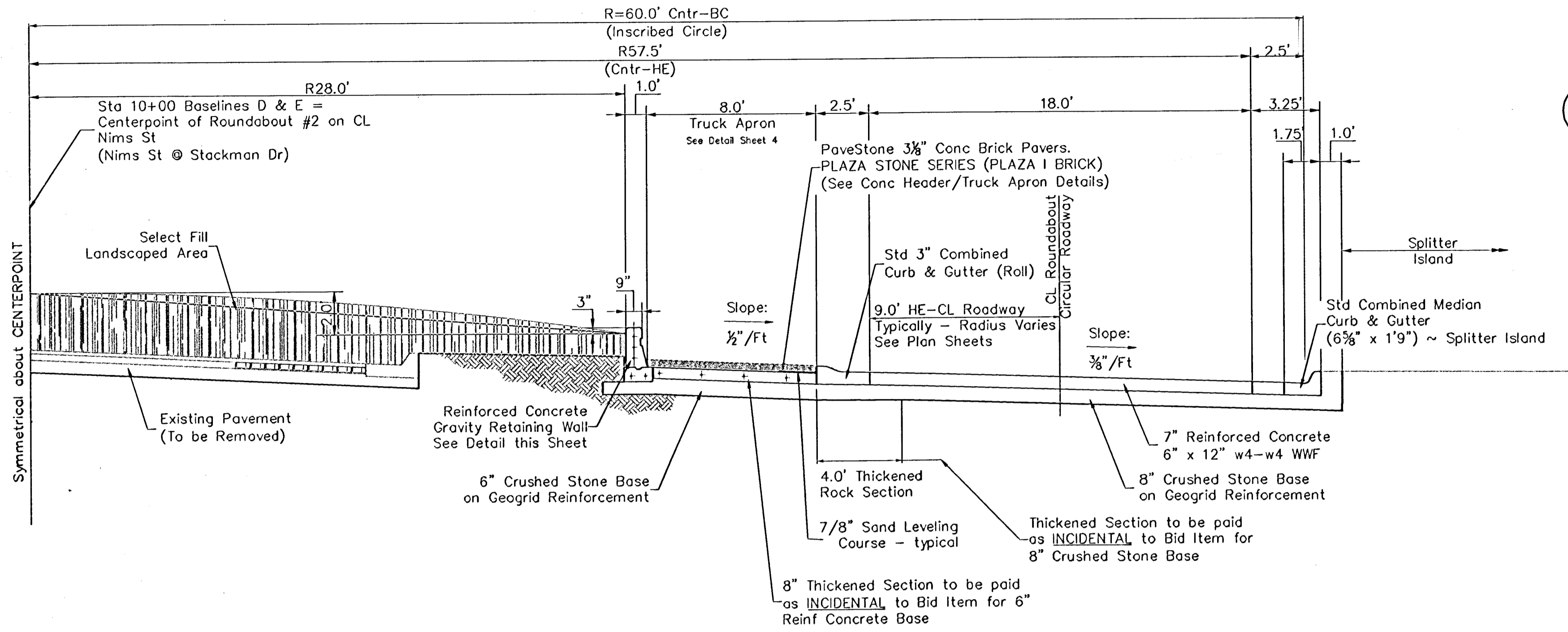
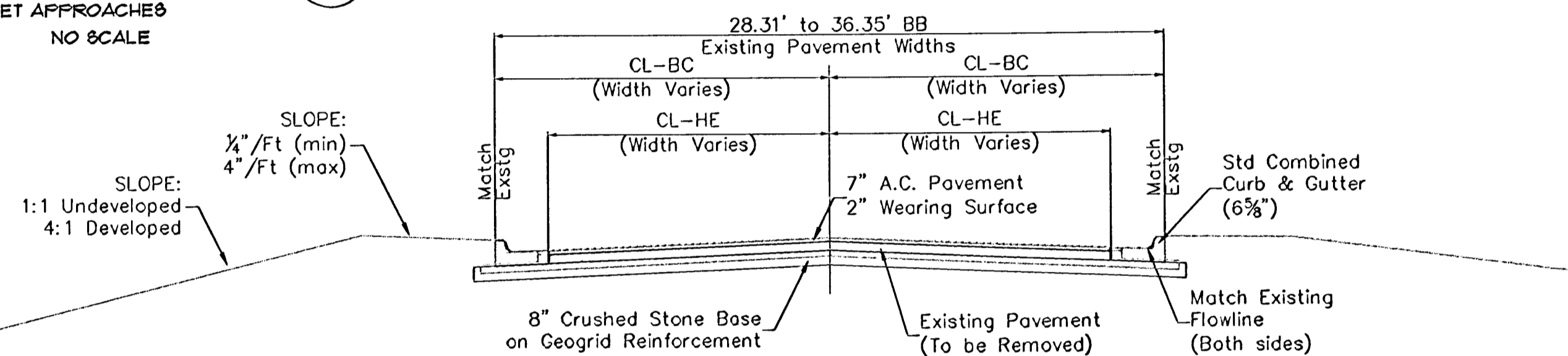


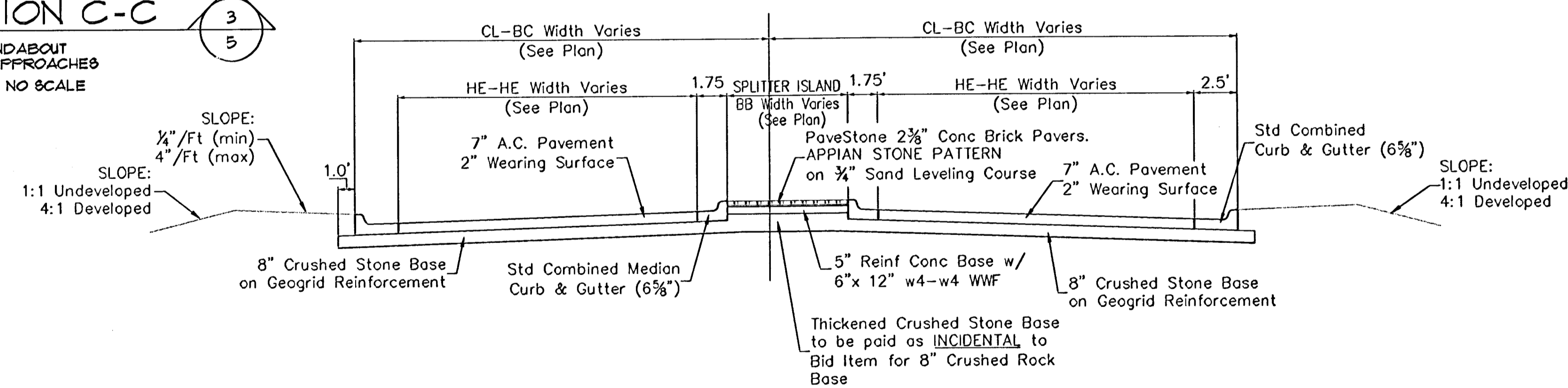
SECTION A-A
 ROUNDABOUT #2
 NIMS STREET @ STACKMAN DR
 NO SCALE



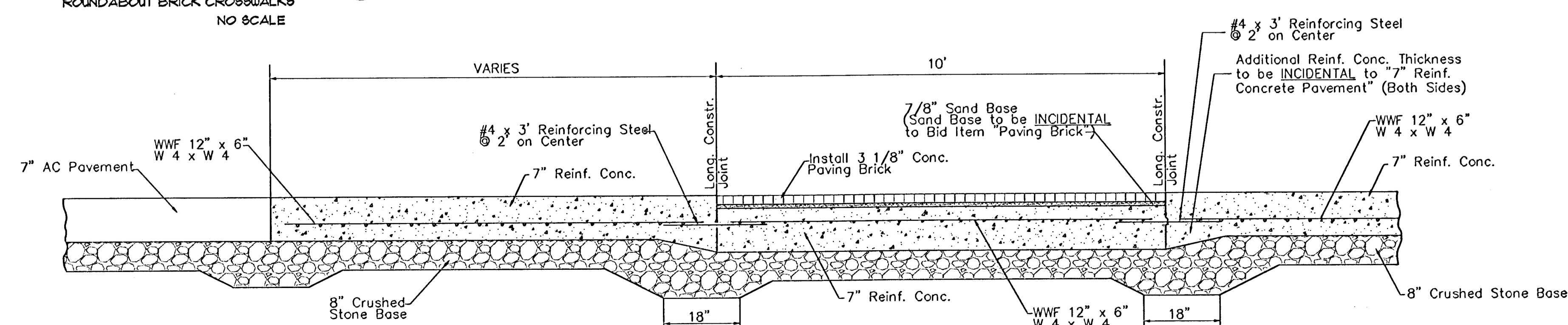
SECTION B-B
 TYPICAL ROUNDABOUT
 SIDE STREET APPROACHES
 NO SCALE



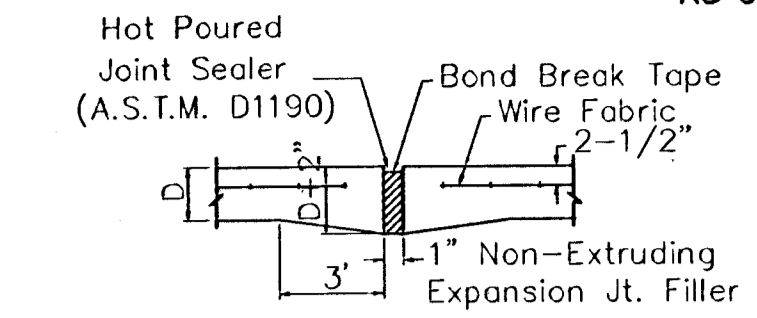
SECTION C-C
 TYPICAL ROUNDABOUT
 SIDE STREET APPROACHES
 NO SCALE



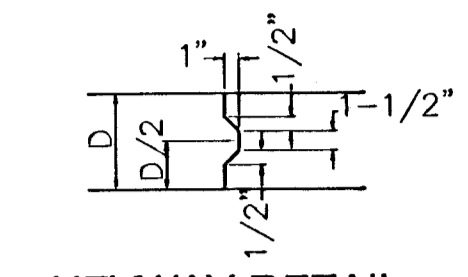
SECTION D-D
 TYPICAL PAVEMENT SECTION
 ROUNDABOUT BRICK CROSSWALKS
 NO SCALE



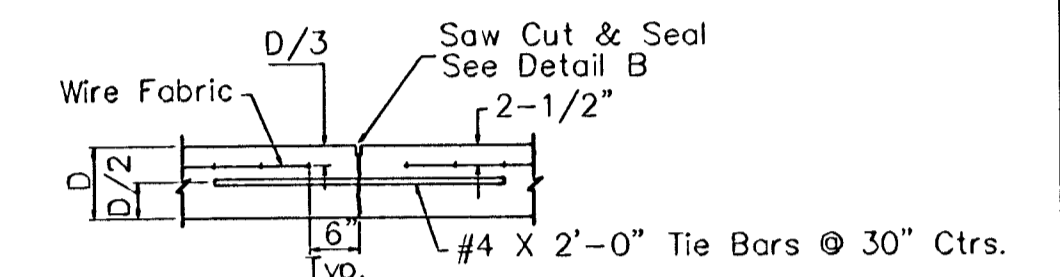
1 MISCELLANEOUS DETAILS
 STANDARD PAVEMENT CONSTRUCTION TYPICALS
 NO SCALE



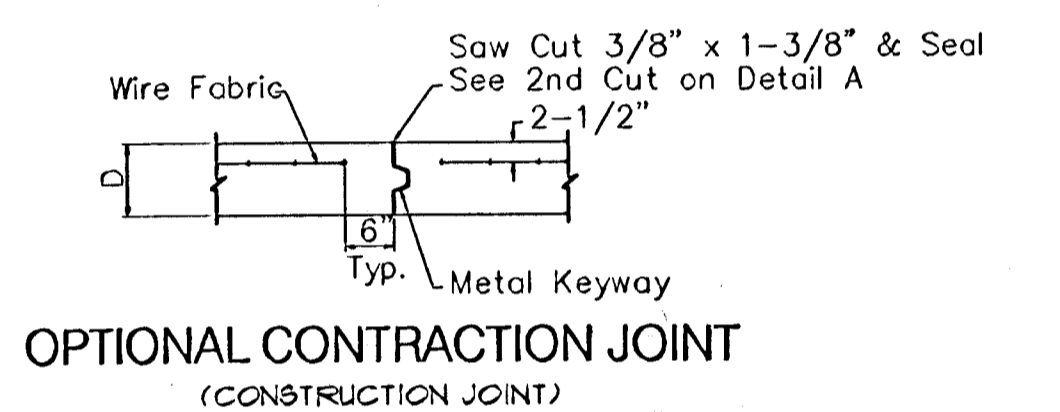
EXPANSION JOINT
 NOTE: Extra Thickness to be INCIDENTAL to Price of Square Yards Pavement



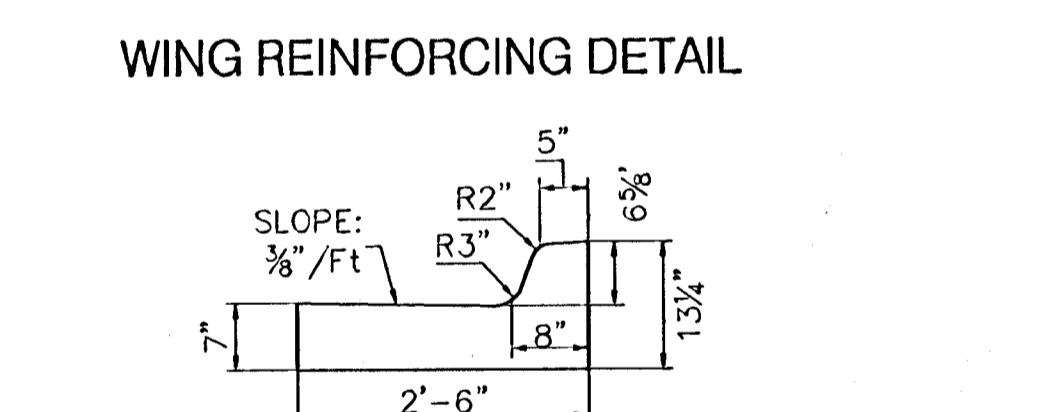
CONTRACTION JOINT DETAIL (C.J.)
 LONGITUDINAL JOINT DETAIL (L.J.)



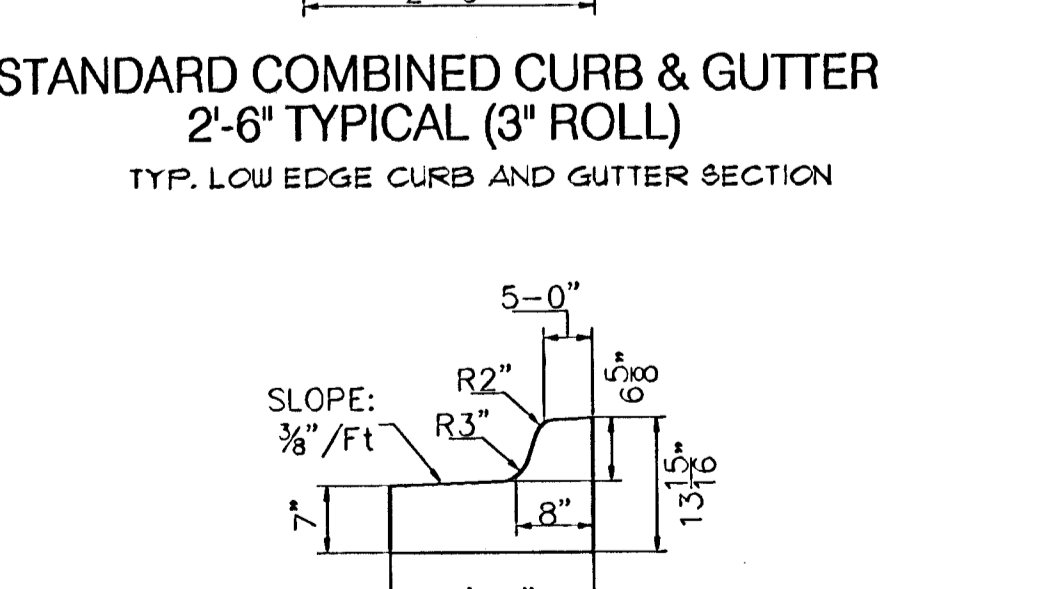
OPTIONAL LONGITUDINAL JOINT DETAIL (L.J.)
 (CONSTRUCTION JOINT)



OPTIONAL CONTRACTION JOINT
 (CONSTRUCTION JOINT)

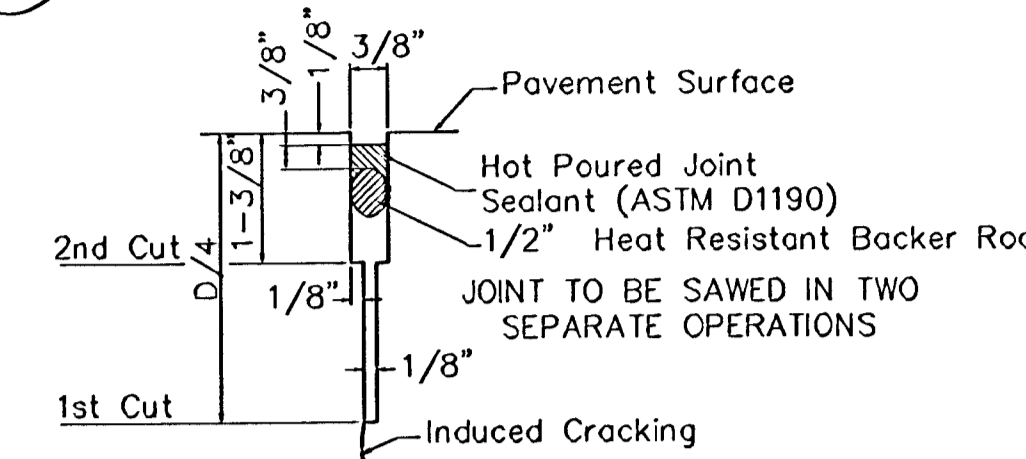


WING REINFORCING DETAIL
 STANDARD COMBINED CURB & GUTTER
 2'-6\"/>

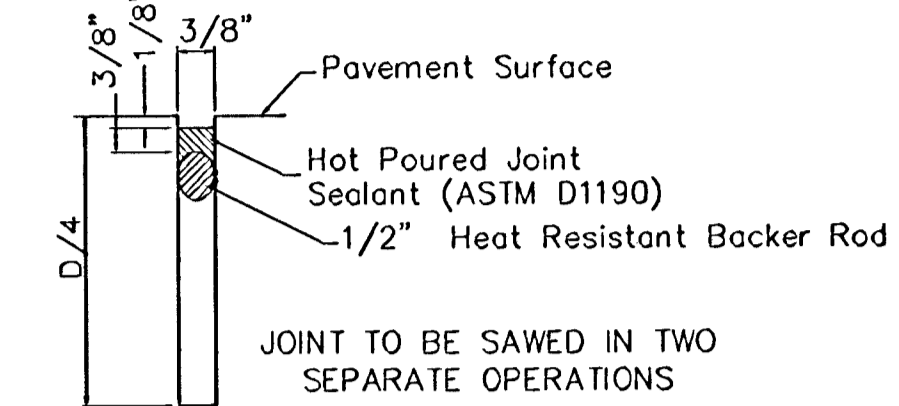


STANDARD COMBINED CURB & GUTTER
 1'-9\"/>

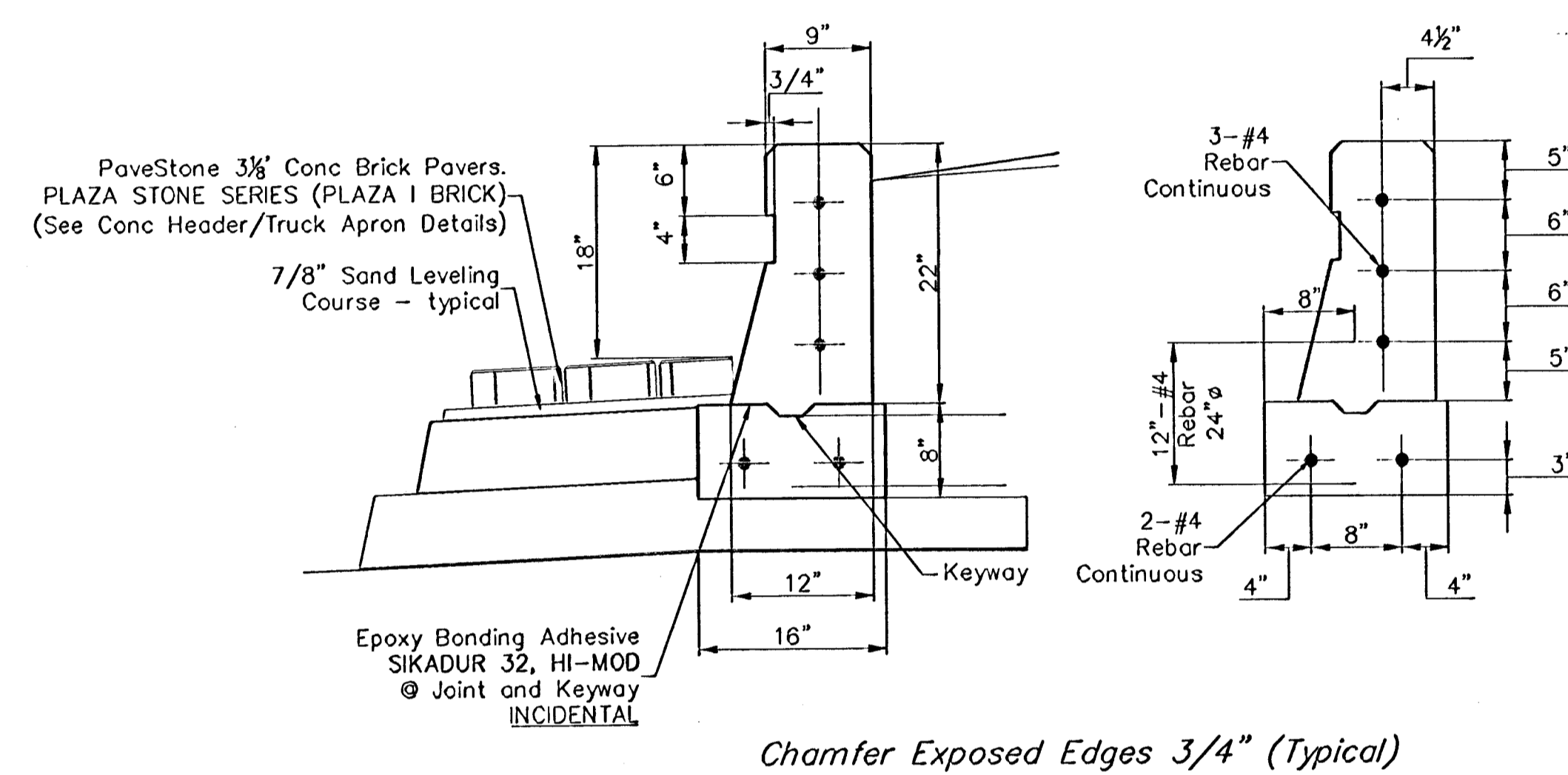
2 SAW JOINT DETAIL 'A'
 NO SCALE



2 SAW JOINT DETAIL 'B'
 NO SCALE

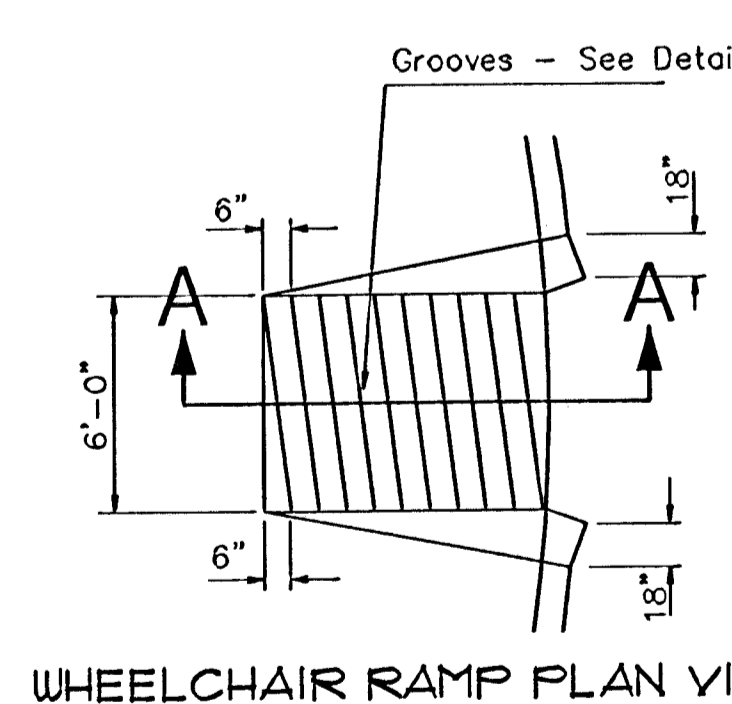


3 RETAINING WALL DETAIL
 REINFORCED CONCRETE GRAVITY TYPE RETAINING WALL
 NO SCALE

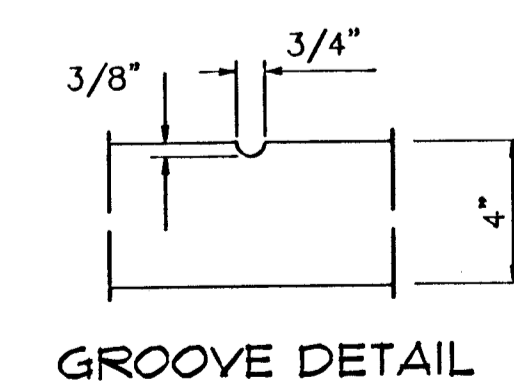


Chamfer Exposed Edges 3/4\"/>

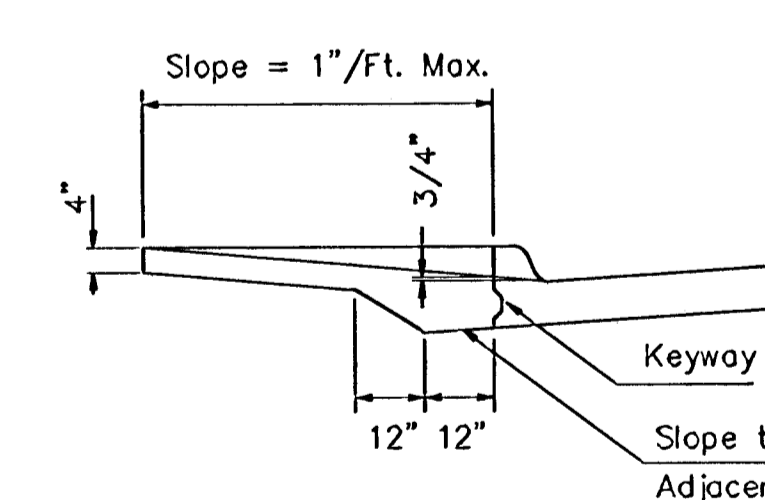
4 WHEELCHAIR RAMP DETAIL
 STANDARD CONCRETE WCR CONSTRUCTION TYPICALS
 NO SCALE



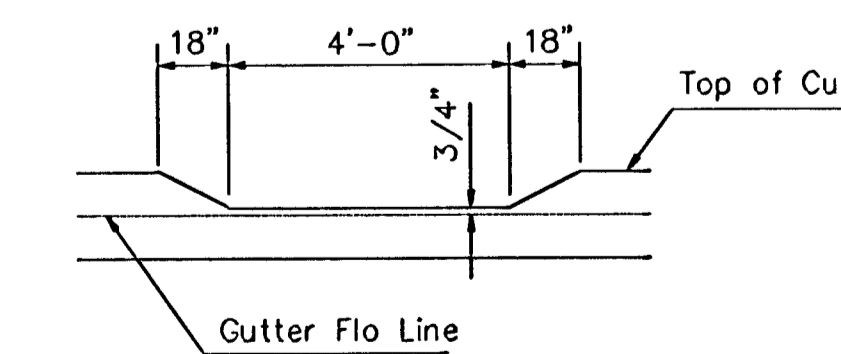
WHEELCHAIR RAMP PLAN VIEW



GROOVE DETAIL



SECTION A-A
 DEPRESSED CURB DETAIL



DEPRESSED CURB DETAIL

TYPICAL SECTIONS

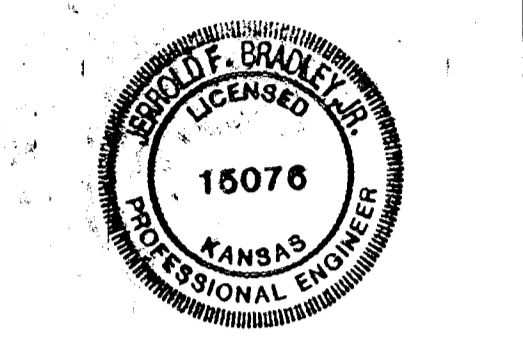
NIMS STREET ROUNDABOUT @ STACKMAN DRIVE
 NO SCALE



Wilson Darrell Mann P.A.
 105 N. Washington Wichita, Kansas 67202
 ph 316.262.4700 fx 316.262.0002

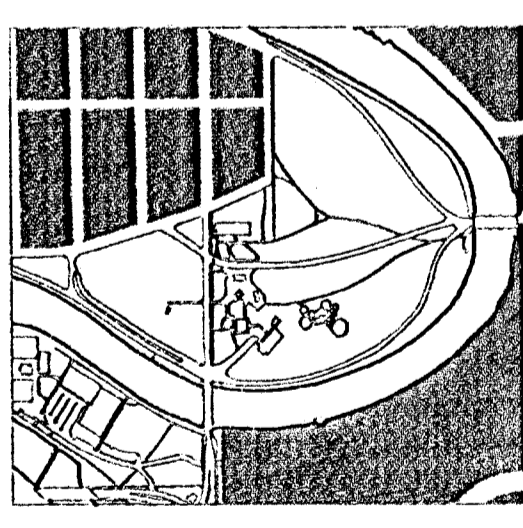


ENGINEERING, SURVEYING, & PLANNING
 316-262-7271 • 316-262-1111 • WICHITA, KANSAS 67211



NIMS ROUNDABOUT
 Central Riverside Park
 Wichita, Kansas

KEY PLAN



CENTRAL RIVERSIDE PARK

PRINTS ISSUED
 August 20, 2002

Drawn No. 00-08-E798
 drawn: STAFF
 checked: STAFF

TYPICAL SECTIONS

SECTION THREE
 3 of 22