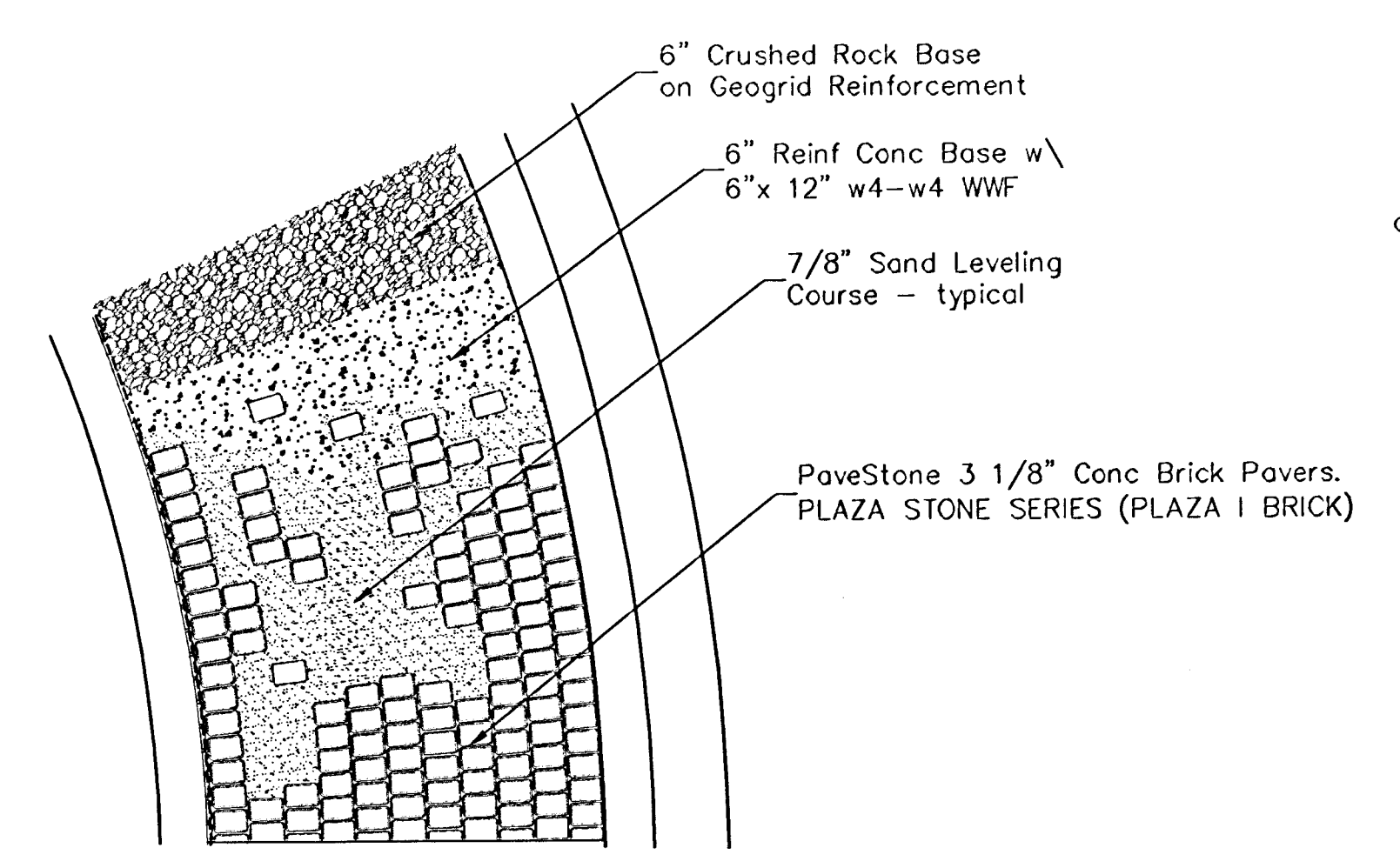
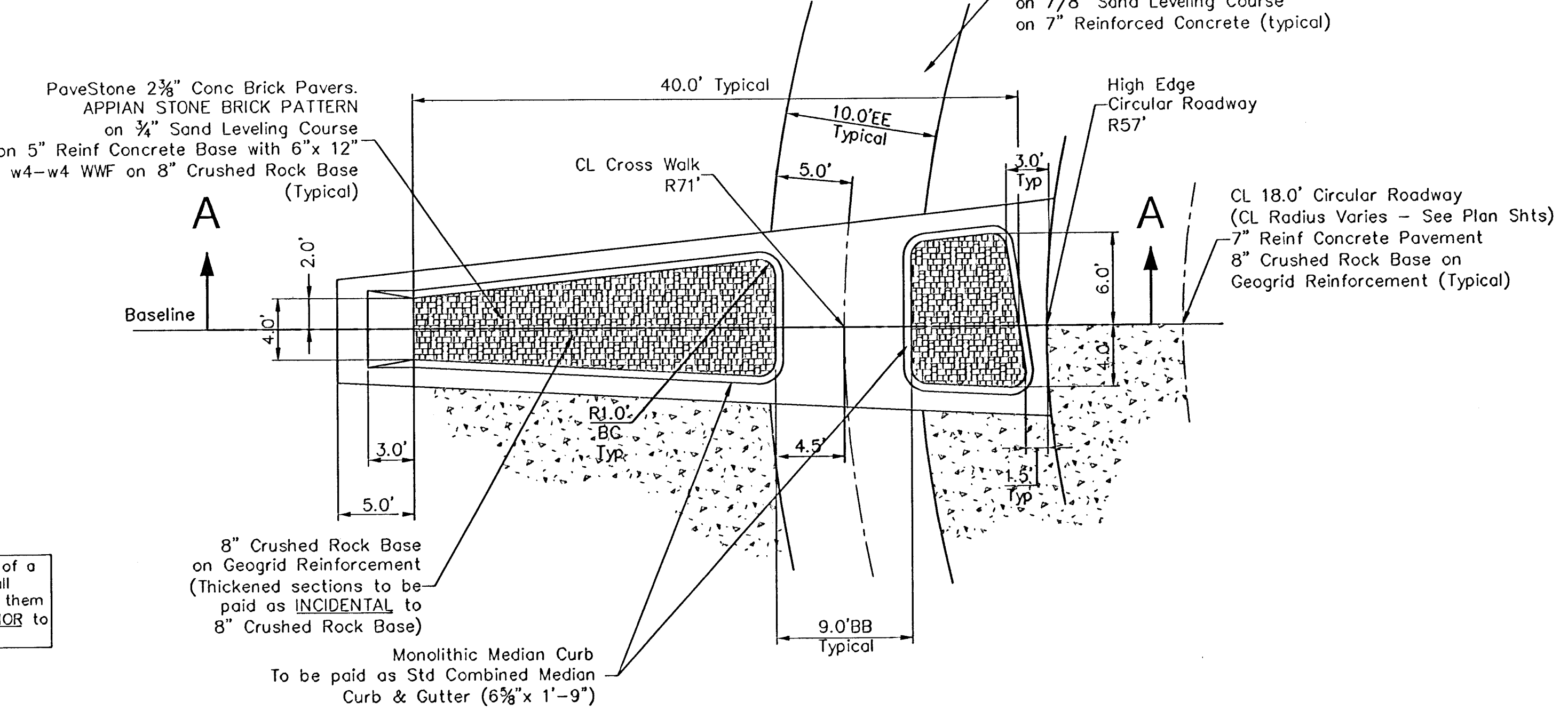


7 PLAZA STONE DETAIL
BRICK PAVEMENT TYPICAL • ROUNDABOUTS
NO SCALE



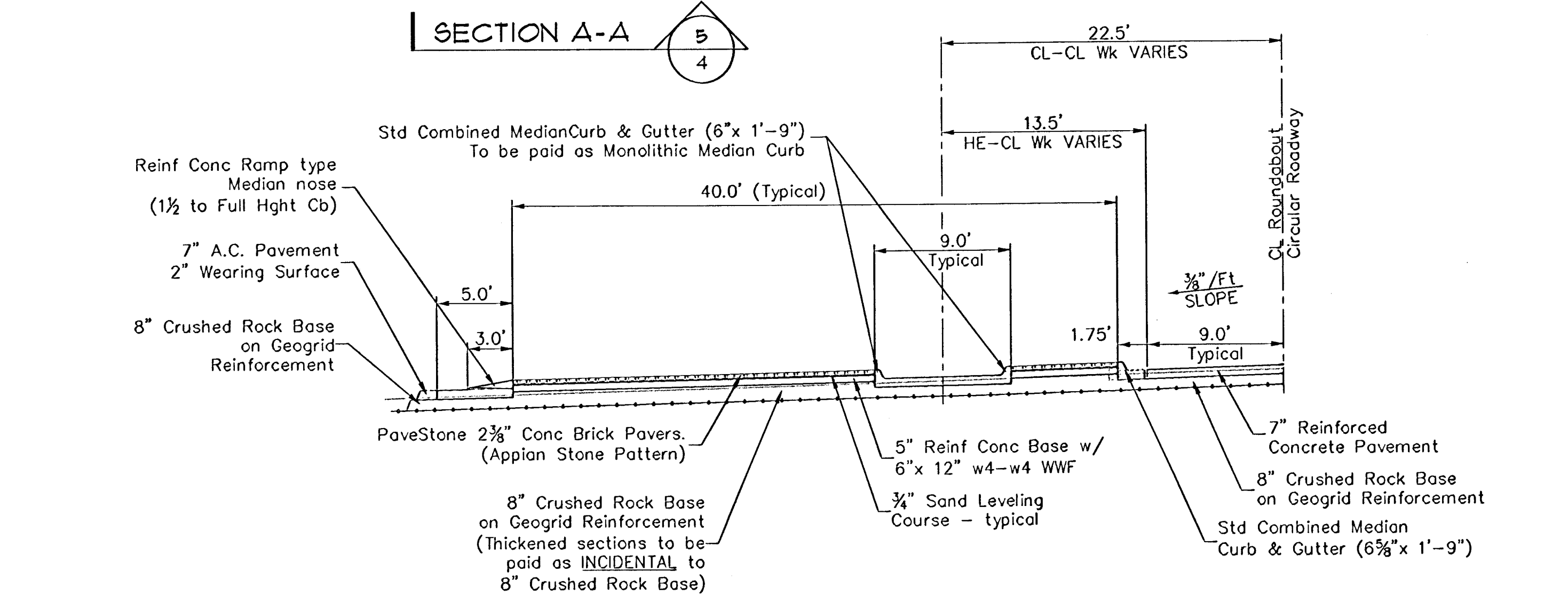
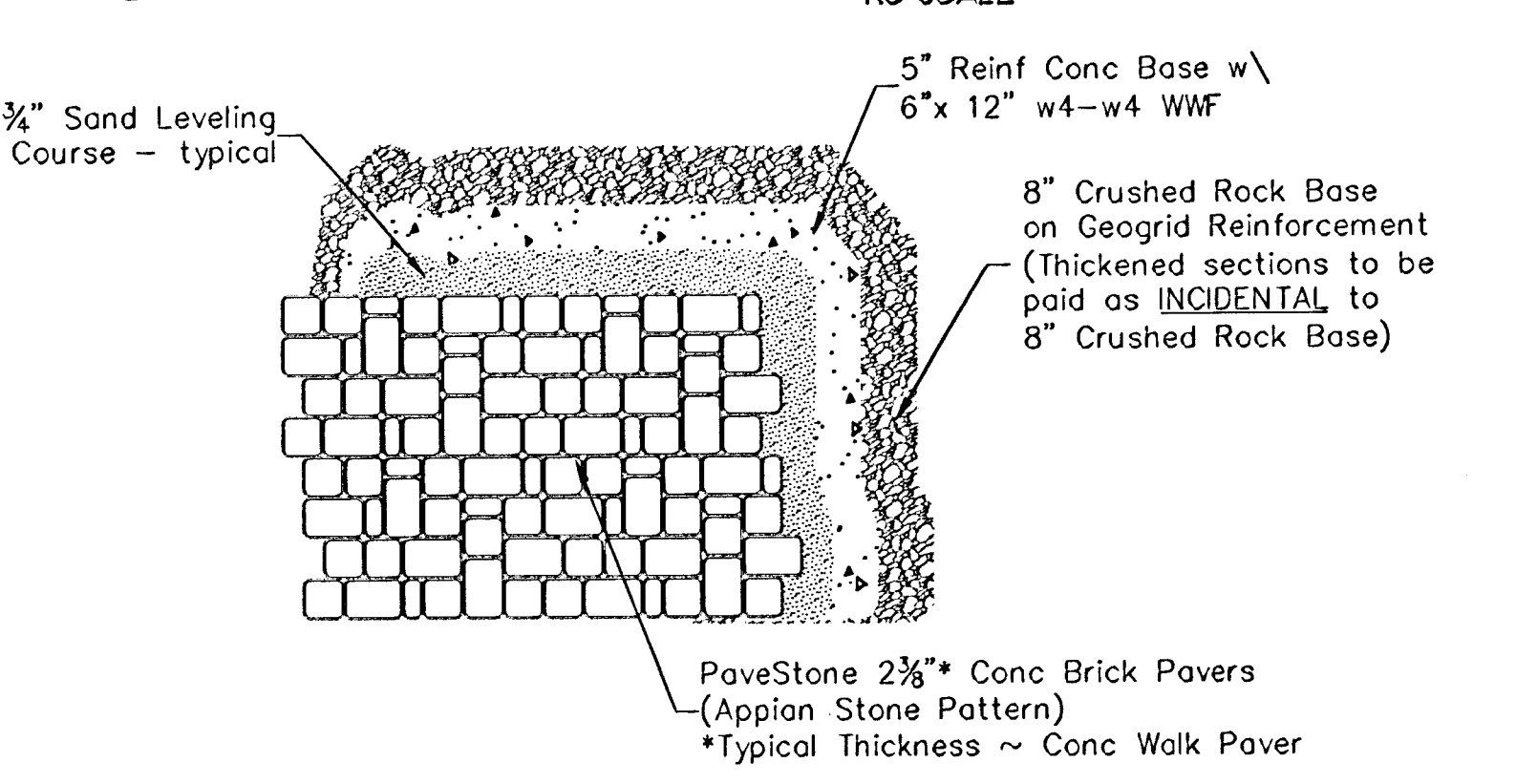
The Concrete Brick Pavers are to consist of a Red and Black Blend. The Contractor shall obtain samples of the Pavers and submit them to the Architect/Engineer for approval PRIOR to ordering.

5 SPLITTER ISLAND DETAIL
ROUNDABOUT SPLITTER ISLAND CONSTRUCTION TYPICALS
NO SCALE



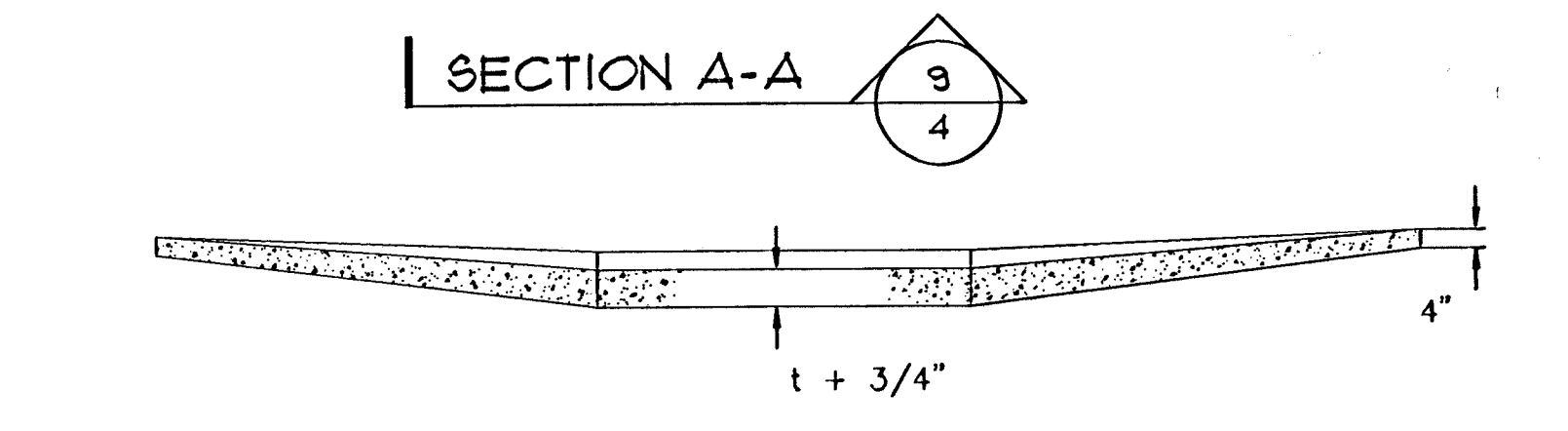
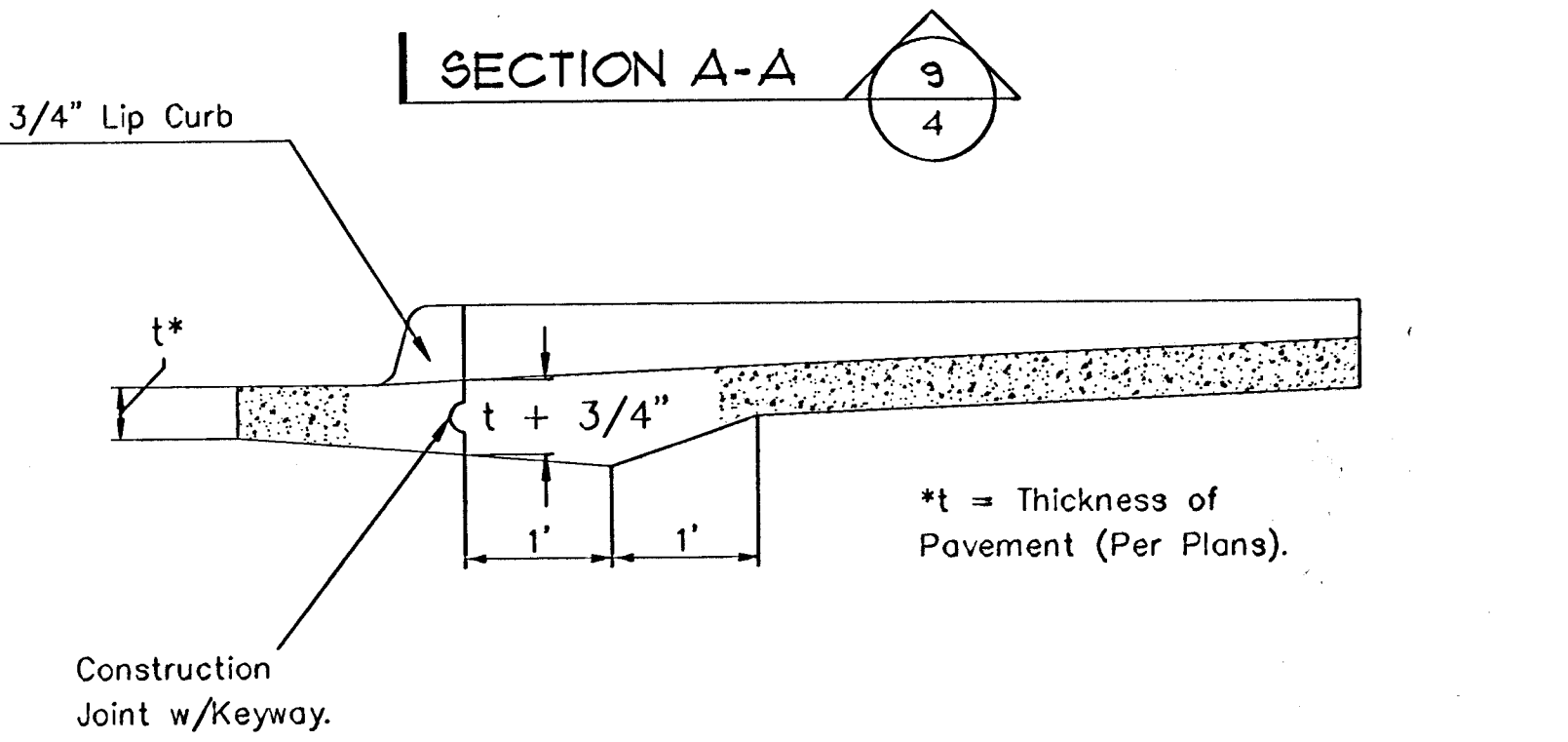
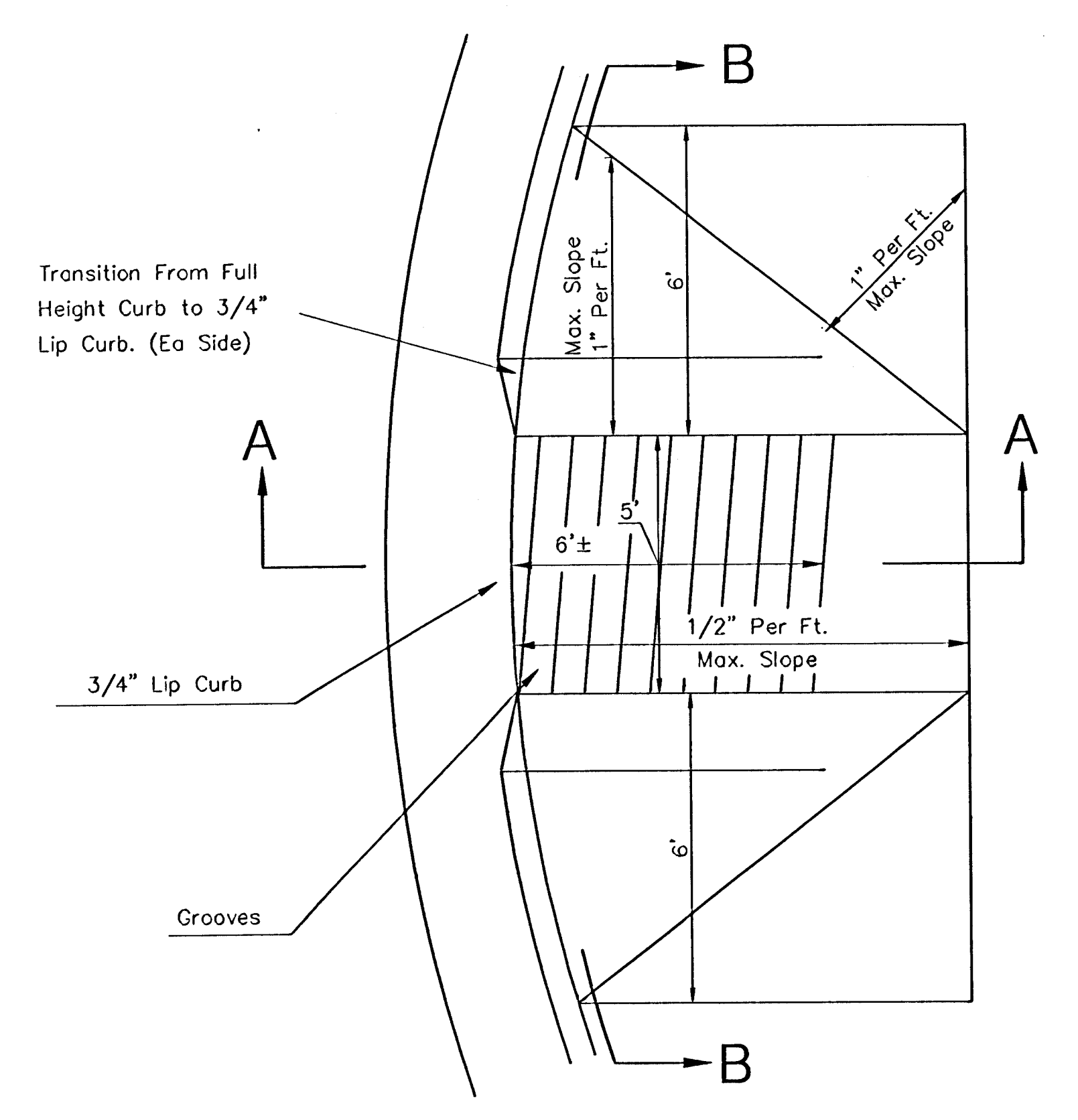
TYPICAL CROSSWALKS:
Pavestone 3 1/8" Concrete Brick Pavers
PLAZA STONE SERIES (PLAZA I BRICK)
on 7/8" Sand Leveling Course
on 7" Reinforced Concrete (typical)

8 APPIAN STONE DETAIL
BRICK PAVEMENT TYPICAL • ROUNDABOUTS
NO SCALE

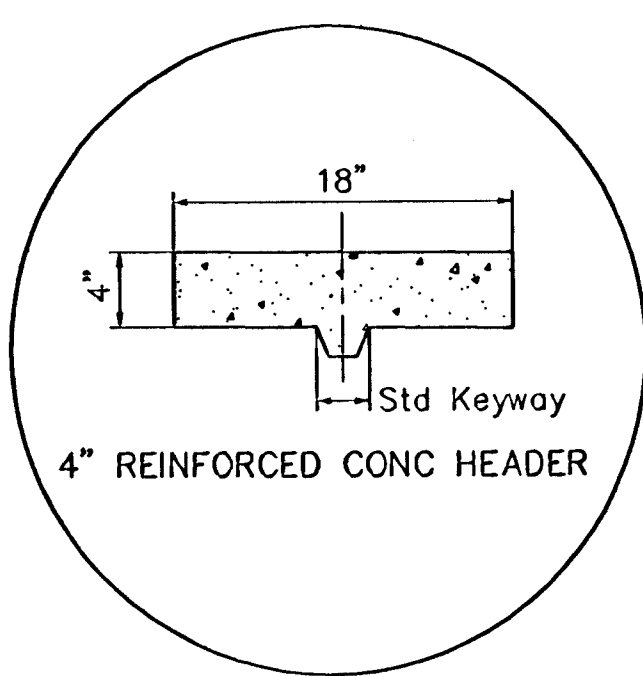
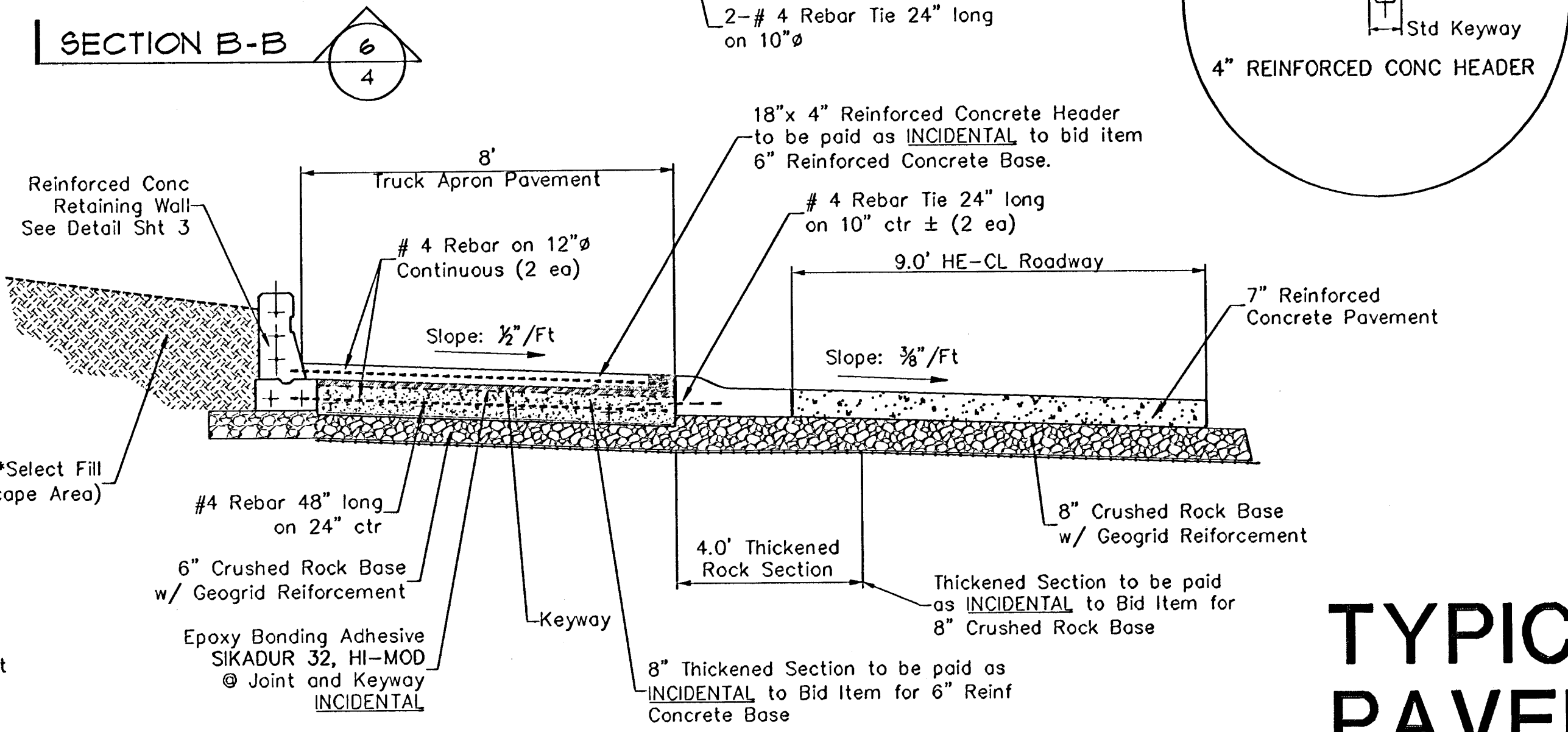
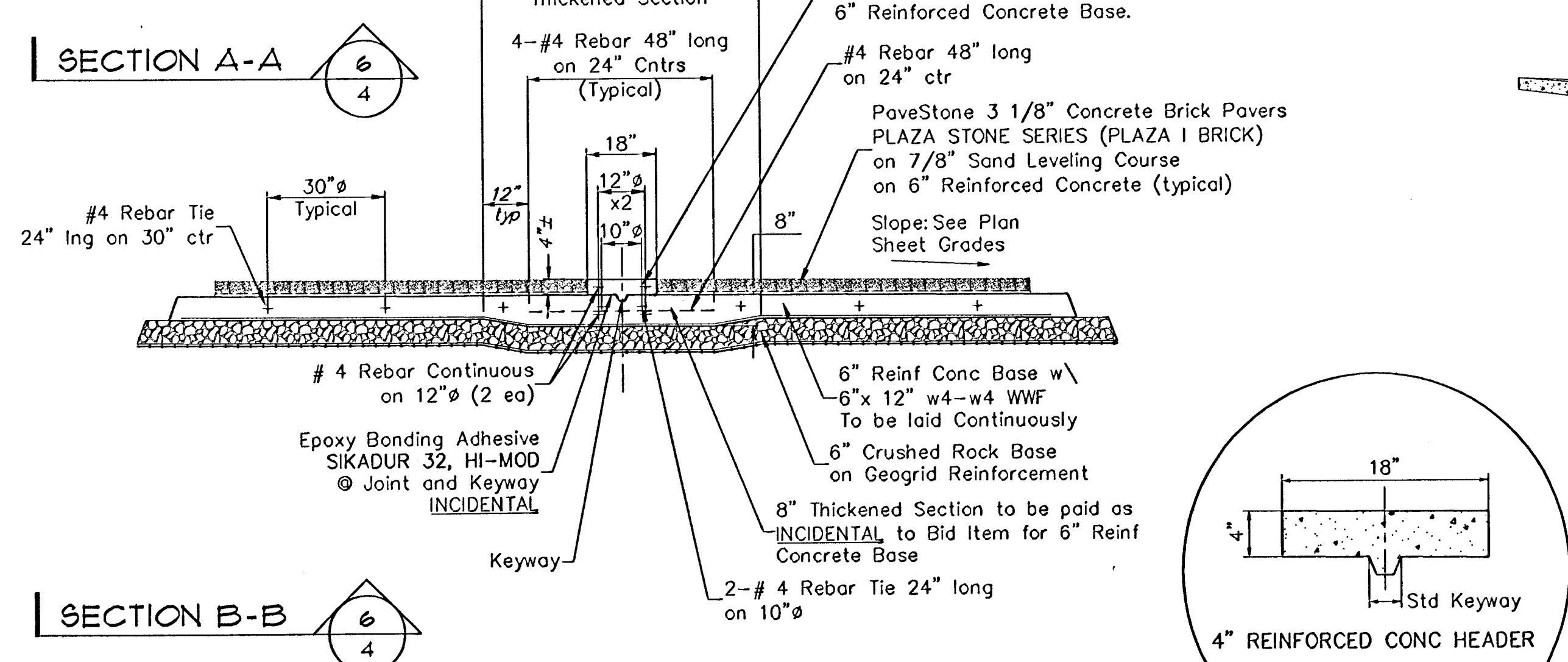
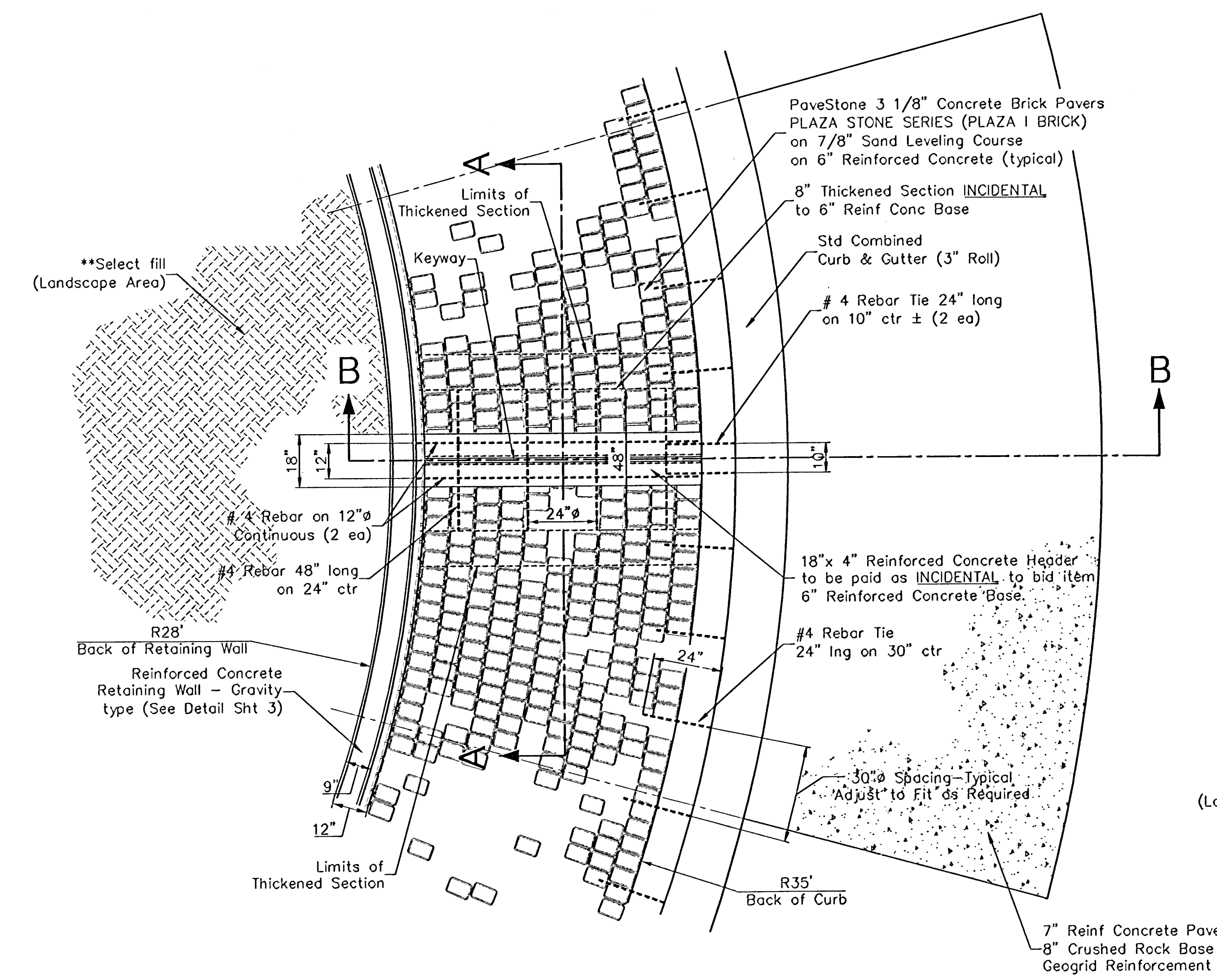


9 WHEEL CHAIR RAMP DETAIL
NON-STANDARD CONCRETE WCR CONSTRUCTION TYPICALS
NO SCALE

SPECIAL NOTE: Ramp configuration may vary from dimensions shown. Maintain minimum/maximum dimensions and slopes as indicated.



6 CONCRETE HEADER - TRUCK APRON
CONSTRUCTION TYPICAL DETAILS • ROUNDABOUTS
NO SCALE



TYPICAL PAVEMENT SECTIONS
NIMS STREET ROUNDABOUT @ STACKMAN DRIVE
NO SCALE