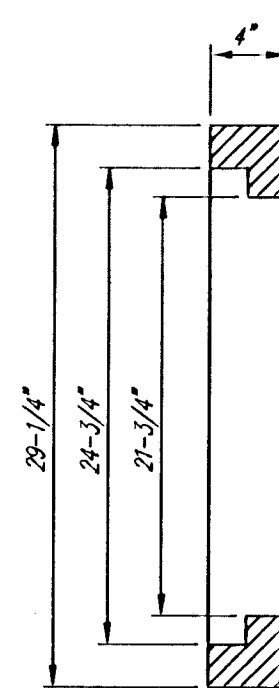
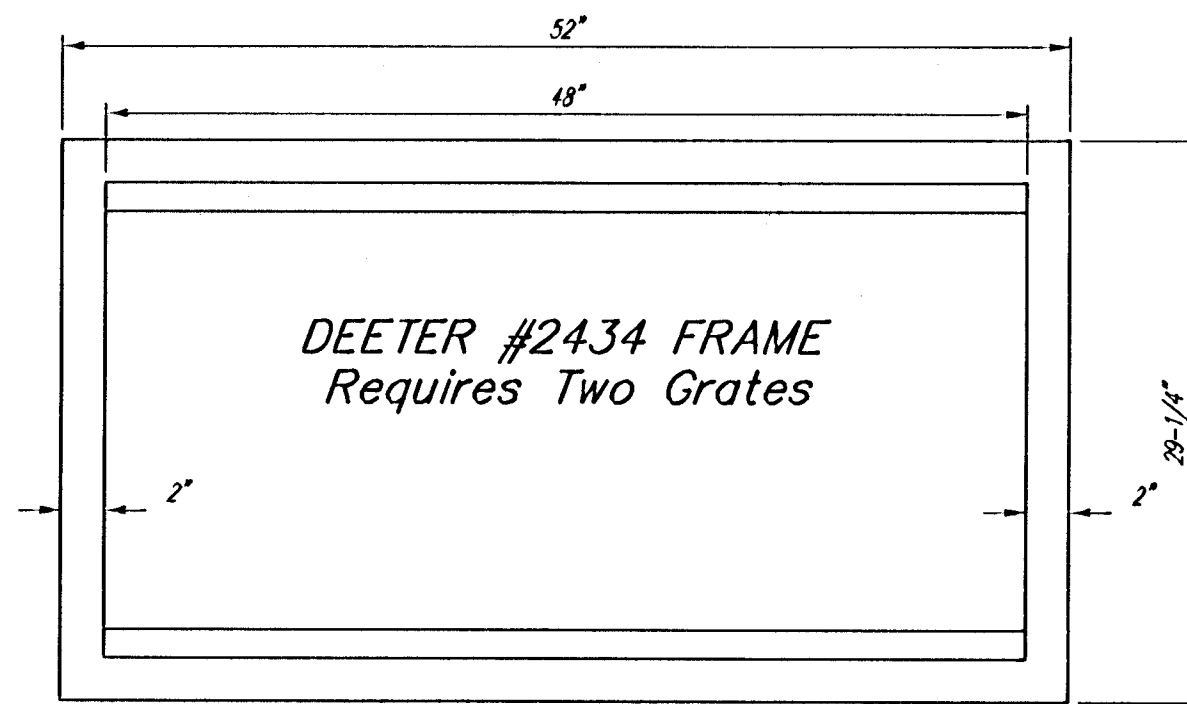


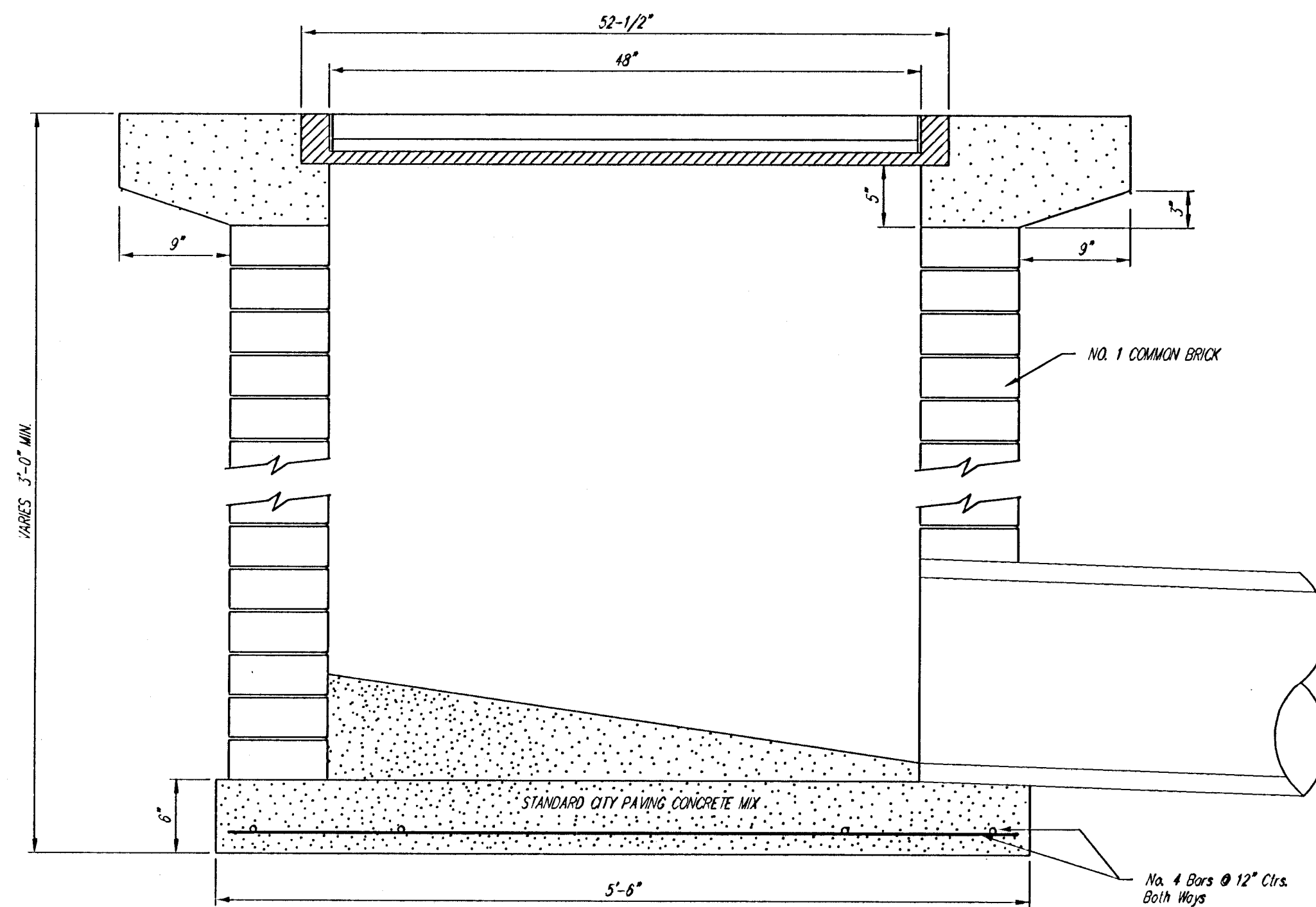
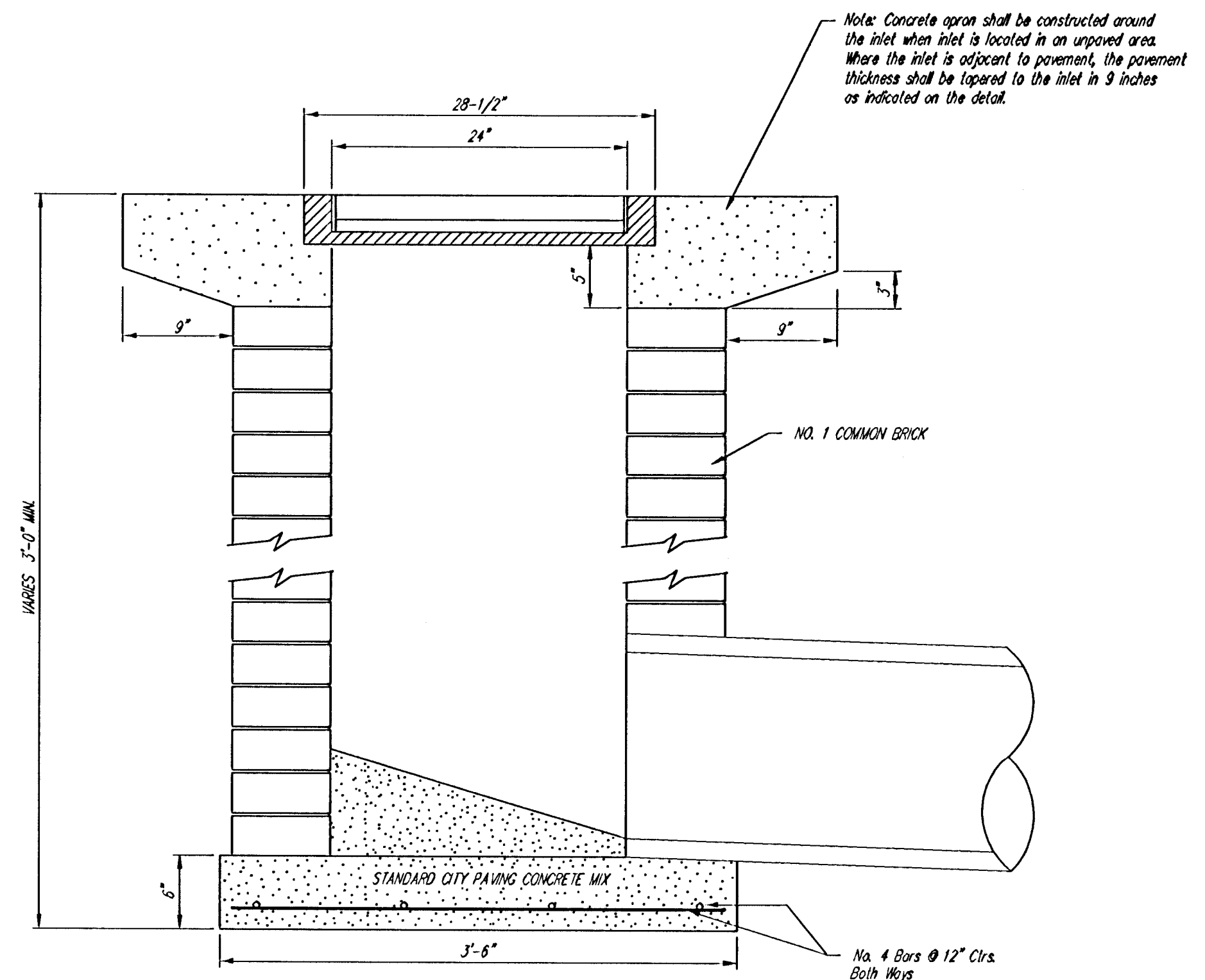
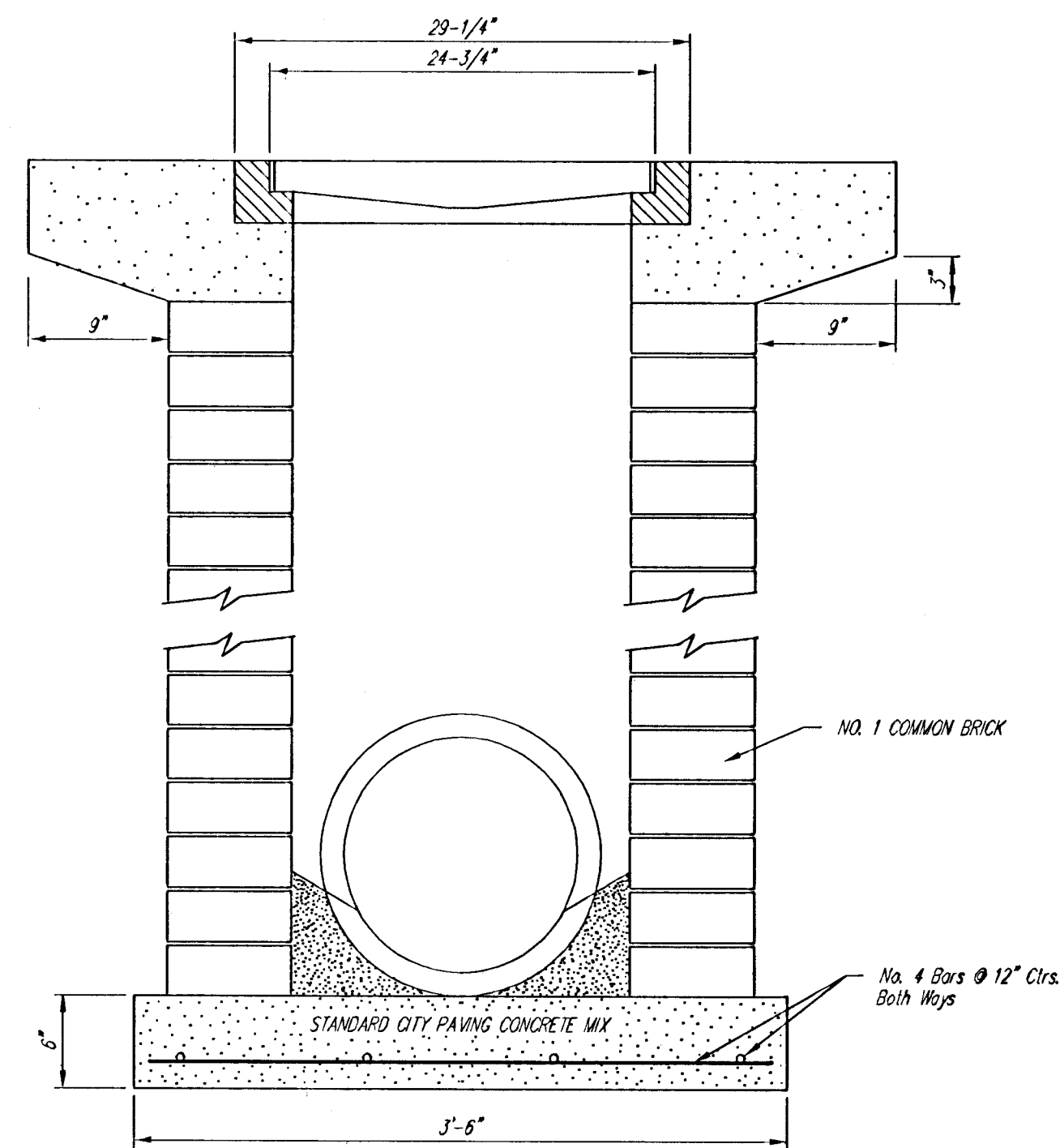
DEETER #2433 GRATE

24" x 24" Frame and Grate Detail

NOTE: Grates shall be imprinted on the top surface with "CITY OF WICHITA" using letters at least 1" in height. Other marking methods may be approved by the engineer.



Double 24" x 24" Frame Detail



	City of Wichita Standard	
	<b>Drop Inlet Detail</b>	
<small>Baughman Company, P.A. 315 Ellis St. Wichita, KS 67211 P 316-262-7271 F 316-262-6149 ENGINEERING   SURVEYING   PLANNING   LANDSCAPE ARCHITECTURE</small>		
PROJECT NUMBER <b>472-84074</b>	DESIGN C.O.W.	DRAWN Staff
REVISIONS:	APPROVED	DATE
SCALE None		SHEET <b>38 OF 75</b>
<small>F:\Eng\Details\Sewers\DROPINT2.dwg</small>		